



ROADS AND TRANSPORTATION



Design and Construction Manual Linear Municipal Infrastructure Standards



REVISION TRACKING

Date	Version Number
October 2017	N: V1 – Original Final Submission
March 2018	Rev: V2- 2018 Review
December 2018	Rev: V3 - 2018 Review
February 2020	Rev: V4 - 2019 Review
January 2021	Rev: V5 - 2020 Review Revisions to Section 20.0, 21.0,22.0 New Section 20.7, 40.0 Additional Review
January 2022	Rev: V6 - 2021 Review
May 2022	V7 - Accessible
February 2023	V8
February 2024	V9

2024 Revisions

Section	Modification & Commentary
2.0 Other Reference Documents (Pg 3)	City of Brantford Active Transportation Master Plan
7.0 Roadway Cross-Sections (Pg 6)	To ensure vehicles have a safe corridor in case of emergency, a 6.0m clearance within the road width has been included in each typical cross-section a minimum 4.0 m clearance on residential/local streets that are primarily single family dwellings, or a 6.0 m clearance for commercial/industrial properties is required.
12.0 Cycling Facilities (Pg 8)	Cycling facilities shall be designed in accordance to the City of Brantford Active Transportation Master Plan, as well as to the latest edition of TAC Bikeway Traffic Control Guidelines for Canada and Ontario Traffic Manual (OTM) Book 18.
16.1 General Requirements (Driveway and Driveway Approaches) (Pg 11)	Existing driveway to property and driveway approaches shall be replaced with like materials asphalt or decorative concrete if impacted by construction activities.
18.4 Tactile Surface Warning Plates (Pg 15)	Uncoated cast-iron tactile surface warning plates shall be integrated into sidewalks at curb ramps and depressed curb areas to assist pedestrians who are visually impaired.
20.5 Pavement Markings (Pg 16)	Temporary pavement markings will be applied as directed by the City. A second application of traffic paint is required on new asphalt surfaces, unless otherwise directed by the City. Pavement markings shall include reflectorizing glass beads. Durable pavement marking shall NOT be pre-formed plastic type. All transverse markings shall be applied with durable paint materials, or as otherwise directed by the City.

<p>21.1 General Requirements (Street Lighting) (Pg 17)</p>	<p>All design criteria for roadway lighting systems are based on the IES Recommended Practice (RP) 08-18 RP-8-21 recommended by the appropriate documents, shall be met for a lighting system, including but not limited to:</p>
<p>21.2 Lighting Design and Calculation Methods (Pg 17)</p>	<p>All lighting design calculations must be prepared using AGI32 roadway lighting design software and submitted to The City for review and approvals. A photometric plan shall include a point by point photometric grid superimposed over the site that clearly indicates proposed site lighting levels. The design file shall be submitted electronically. When lighting calculations are being performed, lighting designers shall use the luminaire manufacturer's IES formatted photometrics for the lighting calculations. IES formatted photometrics are generally provided in digital file by the luminaire manufacturer upon request. These products used must be in accordance to the City's Approved Products List. The IES formatted photometrics for the luminaire(s) used shall be provided electronically with the project design file(s).</p>

21.2 Lighting Design and Calculation Methods (Pg 17)

~~The City recommends two distinct design and calculation methods for roadway lighting. These methods are Illuminance Method and the Luminance Method:~~

It is the requirement of The City that at least one of these lighting designs and calculation methods be used to meet the required design criteria for a city roadway lighting project:

- Illuminance Method - determines the amount of light incident on a surface from a roadway lighting system, this method must be used for straight sections and >600m Radius that are shorter than 100m, curves and intersections.(lux or foot candle)
- Luminance Method - determines the amount of reflected light from the pavement in the direction of the driver. It determines how “bright” the road is. This method shall be used for straight sections and >600m Radius that are longer than 100m (candela per meter squared)

The following recommendations are made to aid in determining the best method for a roadway lighting design:

- Small roadway lighting projects - such as isolated intersections and isolated conflict areas, can be adequately designed using the Illuminance Method.
- Medium sized roadway lighting projects - which include straight sections of roadway with continuous lighting and intersections of higher complexity, should be designed using the Illuminance Method and Luminance Method, with the most energy efficient design selected.
- Large roadway lighting projects - will require a design by both methods with the most energy efficient design selected.

Lighting design using the Luminance Method is an iterative process and, unlike the Illuminance Method, cannot be calculated directly. The

<p>21.4 Horizontal Illuminance for Sidewalks (Pg 18) New Section</p>	<p>Many roadways have adjacent sidewalks with the road allowance. The target values are outlined in Recommended Values for Pedestrian Areas found in RP-8-21 includes recommended maintained average horizontal and vertical illumination levels and uniformity ratios for high, medium, and low pedestrian activity. This level of lighting assists drivers and pedestrians in the undertaking the following activities:</p> <ul style="list-style-type: none"> • Detection of obstacles or hazards • Perception of movements and intentions of others • Reading of signs and building numbers <p>Recognition of landmarks, bus stops, street furniture, parked vehicles, curbs and other features</p>
<p>Sections 21.5-21.9</p>	<p>Renumbered to accommodate new sections</p>

21.6 Intersection Lighting Design
(Pg 19)
New Section

Intersections of Continuously Lighted Roads - recommended lighting design criteria for intersections in areas of continuous roadway lighting are outlined in RP-8-21 Illumination for intersections.

Recommended lighting level values are given for the Illuminance Method only. It is based on the principle that the amount of light should be proportional to the classification of the intersecting routes and equal to the sum of the values used for each separate street.

Luminaire wattages and pole mounting heights at intersections shall match those on the approach roads if continuous lighting is required between intersections.

For isolated intersection lighting, pole heights and luminaire wattages shall be consistent with the types of intersecting roads.

If the intersection is signalized, the luminaires shall be mounted using combination signal/luminaire poles and positioned to suit the traffic signal requirements.

<p>21.9 Streetlighting Equipment</p>	<p>A complete list of all City pre-approved materials can be identified in the “Approved Product List”, general overview is outlined below:</p> <p>Street Light Poles:</p> <p>Concrete / Aluminum / Steel poles can be utilized of various class type and heights.</p> <p>Luminaires:</p> <ul style="list-style-type: none"> • Cobra Head fixtures in 3000k color temperature. • Decorative (Lantern) style luminaires in 3000k color temperature. • Post Top style luminaires in 3000k color temperature. <p>Power Supply:</p> <p>Pedestals or in-pole breakers are acceptable option for street light connections.</p>
<p>22.1 General Requirements (Traffic Signs) (Pg 20)</p>	<p>All street signs shall be in accordance with Ontario Traffic Manual (OTM) and the TAC ‘Manual of Uniform Traffic Control Devices for Canada’, Latest Edition (MUTCDC). All signs installed for permanent installation shall conform to the APL.</p>
<p>24.1 General Requirements (Street Trees) (Pg 20)</p>	<p>Note: Above image is for illustrative purposes of on-street parking and is not indicative of a standard bollard</p>
<p>24.2 Tree Spacing and Buffers (Pg 21)</p>	<p>Table 10: Intensification Area Tree spacing (m) - 6.0-9.0 8.0-10.0</p>

26.3 Retaining Walls (Pg 23)	Retaining walls, 1.0 0.6 m high or greater, are to be designed by and constructed to the specifications of a Registered Professional Engineer in accordance with the Ontario Building Code. Rails Pedestrian guard shall be located at the top of the wall when the wall is greater than 1 m unless otherwise approved by the City.
38.1 General (Traffic Signals) (Pg 33)	All electrical wiring terminations and splices; controller and cabinet set-up; and testing, review, and turn-on of all operational apparatus at each location shall be done by or in the presence of and under the responsibility of an employee of the Contractor who holds a Level II Traffic Signal Electrician Construction Technician certification which has been granted by the International Municipal Signal Association.

38.1 General (Traffic Signals) (Pg 33)

Installation inspections, troubleshooting, maintenance and repair of these systems shall be accomplished by or in the presence of and under the responsible charge of an employee of the Contractor who holds a Traffic Signal Construction Technician Level II certification or Traffic Signal Field Technician Level II certification or IMSA Traffic Signal Inspector certification which has been granted by the International Municipal Signal Association. Supervision of non-electrical, traffic signal related construction work and traffic control shall be done by a person holding, at a minimum, a Level I Work Zone Traffic Safety Specialist certification which has been granted by the International Municipal Signal Association, or an equivalent certification approved by the Department.

Before starting work, the Contractor shall provide the names of the Level II Traffic Signal Electrician Construction Technicians, the Level II Traffic Signal Field Technicians and Level I Work Zone Traffic Safety Specialists who have been assigned to perform signal related work, and a photocopy of each such person's certification card. If the Level II Traffic Signal Electrician Construction or Field Technicians or Level I Work Zone Traffic Safety Specialists are dismissed from the work, all signal related work requiring such certified personnel on the project site shall cease until the names and photocopies of certification cards for replacement personnel are provided to the Municipality.

<p>38.2 Material Requirements (Traffic Signals) —Conduit — (Pg 34)</p>	<p>The conduit shall be either rigid or PVC and shall be in accordance with OESC OPSS and OPSD. The conduit in this section includes all PVC installed (except for power stacks and weather head).</p>
<p>38.2 Material Requirements –Traffic Signal Heads – (Pg 37)</p>	<p>Traffic signal heads shall be in accordance with OPSS 2461 and OTM Book 12 complete with 3M reflective tape on backboards. Lamps as defined in OPSS 2461.03 shall be secured with GGI brand QCK clips.</p>
<p>38.2 Material Requirements (Traffic Signals) — Astro or Versa Brackets — (Pg 37)</p>	<p>All 4 section or larger traffic signal heads and 300 mm x 300 mm x 300 mm (12” x 12” x 12”) signal head mounted on a mast arm. Astro or versa brackets shall be in accordance with the requirements included in this City manual. No double arm brackets are to be used without authorization.</p>
<p>38.2 Material Requirements (Traffic Signals) –Traffic Signal Heads – (Pg 37)</p>	<p>Traffic signal heads shall be in accordance with OPSS 2461 and OTM Book 12 complete with 3M reflective tape on backboards. Lamps as defined in OPSS 2461.03 LED modules shall be secured with GGI brand QCK clips.</p>
<p>38.3 Execution - Traffic Signal Controller and Pad -(Pg 39)</p>	<p>All signal timing and intersection phasing at the intersection shall either be pre-installed in the traffic controller or programmed by the City. Under no circumstances is the Contractor to program or edit intersection timings or phasing. Communications modems shall be installed in every cabinet as per the APL.</p>
<p>38.3 Execution (Traffic Signals) – Audible Pedestrian Pushbuttons – (Pg 39)</p>	<p>Pushbutton must be installed at a height of 1050±50mm when measured from the sidewalk/finished grade to the centre of the pushbutton and meet requirements of O. Reg. 191/11, s. 80.28. Pushbutton must be drilled and tapped to the pole (not self-drilling screws).</p>

<p>38.3 Execution (Traffic Signals) – Traffic Signal Poles– (Pg 39)</p>	<p>The Contractor shall install three (3) self tapping screws (minimum size #14) or impact inserted pins in the overlap of all sections of the pole and two (2) self-tapping screw (minimum size #14) in all mast arm pole plates (excluding pedestrian heads arms). The colour shall match the colour of the pole or boot.</p> <p>The contractor shall install 3 1/4" grade 8 bolts tapped into each overlap of pole sections and 2 in the mast arm plate colour matched to the pole.</p>
<p>39.2 Materials Requirements (Traffic Signs) –Posts- (Pg 42)</p>	<p>4" x 4" or 6" x 6" Wood Posts if directed by the City</p>
<p>39.2 Materials Requirements (Traffic Signs) –Signs- (Pg 42)</p>	<p>Materials shall be in accordance with the Ontario Traffic Manual and the Approved Products List as follows:</p> <ul style="list-style-type: none"> • Street name signs shall be Alcan Specification extruded aluminum (aluminum alloy of 6063-T6). • Sign sizes shall be 159mm in height and covered with green Engineering Grade Reflective Sheeting. Letters shall be 100mm using Arial Bold in white Engineering Grade Reflective Sheeting.
<p>40.0 Traffic Detection (Pg 42)</p>	<p>Section 40 relocated to section 38 without content changes <i>except</i>;</p> <p>38.1 General -</p> <p>Traffic detection shall be included at every fully signalized intersection in accordance with the Ontario Traffic Manual, the requirements included in this City manual and as per the City's Approved Products List.</p>

40.0-47.4	Sections renumbered to accommodate new placement of traffic detection section
Typical Right-Of-Way Cross-Sections (Pg 53)	<u>G-101</u> – Two-Way General Traffic 6.0m 5.0m.
Standard Drawings and Details (Pg 79)	<u>TS-04</u> - All junction boxes are to be 24" x 36"
Standard Drawings and Details (Pg 79)	<u>TS-05</u> – Note 4: Replaced 2/0 with #6
Standard Drawings and Details (Pg 79)	<u>TS-10</u> – Removed Standard Drawing
Standard Drawings and Details (Pg 79)	<u>BL-102</u> – 4' 3' Burial Depth and 7" 6" Bollard and Bollard Cover Diameter. Positive Drainage away from Bollard (0.5%).
Standard Drawings and Details (Pg 79)	<u>RD-114</u> – Crosswalk must be set back a minimum of 0.6m from curb line.

TABLE OF CONTENTS

INTRODUCTION	2
1.0 GENERAL REQUIREMENTS.....	2
2.0 OTHER REFERENCE DOCUMENTS.....	3
3.0 INDUSTRY STANDARDS AND SPECIFICATIONS.....	3
4.0 OTHER APPLICABLE ACTS AND LEGISLATIONS.....	3
DESIGN.....	5
5.0 GENERAL.....	5
6.0 ROAD CLASSIFICATIONS	5
6.1 Classifications	5
7.0 ROADWAY CROSS-SECTIONS.....	6
8.0 GEOMETRIC DESIGN ELEMENTS.....	7
9.0 INTERSECTIONS	7
10.0 CUL-DE-SACS.....	7
11.0 LOCATION OF UTILITIES.....	8
12.0 CYCLING FACILITIES.....	8
13.0 PAVEMENT DESIGN	8
13.1 General Requirements.....	8
13.2 Alternative Sub-Base Materials	8
14.0 CONCRETE CURB.....	10
15.0 SUBDRAINS.....	11
16.0 DRIVEWAY AND DRIVEWAY APPROACHES.....	11
16.1 General Requirements.....	11
16.2 Driveway Materials.....	11
16.3 Curb Depression	12
17.0 ROUNDABOUTS.....	12
17.1 General Requirements.....	12
17.2 Initial Assessment.....	12
17.2 Initial Assessment (cont'd)	13
17.2 Initial Assessment (cont'd)	14

TABLE OF CONTENTS

18.0 PEDESTRIAN WAYS	14
18.1 General Requirements.....	14
18.2 Sidewalks.....	14
18.3 Multi-Use Trails / Cycle Paths (Within ROW).....	15
18.4 Tactile Surface Warning Plates	15
19.0 BUS STOPS AND SHELTERS	15
20.0 TRAFFIC CONTROL	16
20.1 General Requirements.....	16
20.2 Traffic Control Signals	16
20.3 Pedestrian Crossing Treatments.....	16
20.4 Electrical Design	16
20.5 Pavement Markings.....	16
20.6 Traffic Calming Measures	16
20.7 Traffic Detection	17
21.0 STREET LIGHTING	17
21.1 General Requirements.....	17
21.2 Lighting Design and Calculation Methods	17
21.3 Pedestrian Activity.....	18
21.4 Horizontal Illuminance for Sidewalks	18
21.5 Roadway Lighting Luminaire Layout.....	19
21.6 Intersection Lighting Design	19
21.7 Luminaire Poles at Driveways.....	19
21.8 Luminaire Poles at Trees.....	19
21.9 Streetlighting Equipment	19
22.0 TRAFFIC SIGNS	20
22.1 General Requirements.....	20
23.0 PARKING	20
24.0 STREET TREES	20
24.1 General Requirements.....	20
24.2 Tree Spacing and Buffers	21

TABLE OF CONTENTS

24.3 Tree Species.....	21
24.4 Topsoil, Seed and Sod.....	21
24.4 Topsoil, Seed and Sod (cont'd)	22
25.0 BOULEVARD DESIGN.....	22
26.0 FENCES AND WALLS	23
26.1 Fences.....	23
26.2 Noise Attenuation Walls	23
26.3 Retaining Walls	23
26.4 Guide Rails.....	23
CONSTRUCTION SPECIAL PROVISIONS — CONTRACT	25
27.0 ASPHALT WORK	25
27.1 General.....	25
27.2 Materials Requirements	25
27.3 Execution	25
27.3 Execution (cont'd).....	26
27.3 Execution (cont'd).....	27
27.4 Measurement for Payment	27
28.0 PAVEMENT MARKINGS	28
28.1 General.....	28
28.2 Materials Requirements	28
28.3 Execution	28
28.4 Measurement of Payment.....	28
29.0 MAINTENANCE HOLE ADJUSTMENTS - CORING METHOD.....	28
30.0 GRANULAR MATERIAL	29
30.1 General.....	29
30.2 Materials Requirements	29
30.3 Execution	29
30.4 Measurement of Payment.....	29
31.0 CONCRETE CURB	29
31.1 General.....	29
31.2 Materials Requirements	29

TABLE OF CONTENTS

31.3 Execution	29
31.4 Measurement of Payment.....	29
32.0 SUBDRAIN	30
32.1 General	30
32.2 Materials Requirements	30
32.3 Execution	30
32.4 Measurement of Payment.....	30
33.0 ASPHALT DRIVEWAYS	30
33.1 General	30
33.2 Materials Requirements	30
33.3 Execution	30
33.4 Measurement of Payment.....	31
34.0 CONCRETE DRIVEWAYS	31
34.1 General	31
34.2 Materials Requirements	31
34.3 Execution	31
34.4 Measurement of Payment.....	31
35.0 REPLACEMENT OF EXISTING PAVING STONE	31
35.1 General	31
35.2 Materials Requirements	31
35.3 Execution	31
35.4 Measurement of Payment.....	32
36.0 SIDEWALKS AND MULTI-USE TRAILS	32
36.1 General	32
36.2 Materials Requirements	32
36.3 Execution	32
36.4 Measurement of Payment.....	32
37.0 TACTILE WARNING SURFACES	32
37.1 General	32
37.2 Materials Requirements	32

TABLE OF CONTENTS

37.3 Execution	33
37.4 Measurement of Payment.....	33
38.0 TRAFFIC SIGNALS	33
38.1 General	33
38.2 Materials Requirements	34
38.2 Materials Requirements (cont'd).....	35
38.2 Materials Requirements (cont'd).....	36
38.3 Execution	37
38.4 Measurement of Payment.....	40
39.0 TRAFFIC SIGNS	42
39.1 General	42
39.2 Materials Requirements	42
39.3 Execution	42
39.3 Execution (Cont'd).....	42
39.4 Measurement of Payment.....	42
40.0 ENHANCED SAFETY	43
40.1 General	43
40.2 Materials Requirements	43
40.3 Execution	43
40.4 Measurement of Payment.....	43
41.0 STREET LIGHTING	43
41.1 General	43
41.2 Materials Requirements	43
41.3 Execution	43
41.4 Measurement of Payment.....	43
42.0 TOPSOIL AND SOD	44
42.1 General	44
42.2 Materials Requirements	44
42.3 Execution	44
42.3 Execution (cont'd).....	45

TABLE OF CONTENTS

42.3 Execution (cont'd).....	46
42.3 Execution (cont'd).....	47
42.4 Measurement of Payment.....	47
43.0 TOPSOIL AND SEED	48
43.1 General.....	48
43.2 Materials Requirements.....	48
43.3 Execution.....	48
43.3 Execution (cont'd).....	49
43.4 Measurement of Payment.....	49
44.0 PLANTINGS	50
44.1 General.....	50
44.2 Materials Requirements.....	50
44.3 Execution.....	50
44.4 Measurement of Payment.....	50
45.0 REMOVE AND REPLACE FENCES	50
45.1 General.....	50
45.2 Materials Requirements.....	50
45.3 Execution.....	51
45.4 Measurement of Payment.....	51
46.0 RETAINING WALL	51
46.1 General.....	51
46.2 Materials Requirements.....	51
46.3 Execution.....	51
46.4 Measurement of Payment.....	51
47.0 ADJUSTMENT OF APPURTENANCES.....	52
47.1 General.....	52
47.2 Materials Requirements.....	52
47.3 Execution.....	52
47.4 Measurement of Payment.....	52

TABLE OF CONTENTS

TYPICAL ROW CROSS-SECTIONS	54
DETAILED ENGINEERED CROSS-SECTIONS.....	66
STANDARD DRAWINGS AND DETAILS	79

LIST OF TABLES

Table 1. Street Classifications	5
Table 2. Geometric Design Elements	7
Table 3. Minimum Pavement Design Requirements for Local Roads	9
Table 4. Minimum Pavement Design Requirements for Collector Roads	9
Table 5. Minimum Pavement Design Requirements for Arterial Roads	10
Table 6. Soil Classifications	10
Table 7. Driveway Requirements	11
Table 8. Driveway / Curb Depression Widths	12
Table 9. Concrete Sidewalk Requirements.....	14
Table 10. Tree Spacing.....	21
Table 11. Tree Buffers	21
Table 12. Asphalt Driveway Requirements.....	30
Table 13. Concrete Driveway Requirements	31
Table 14. Bolt Size and Spacing for Pole Bases	34
Table 15. Traffic Signal Cable Colour Codes	35
Table 16. Wiring Chart Main Street	35
Table 17. Wiring Chart Side Street	35
Table 18. Traffic Signal Head Colour Codes	35
Table 19. Pedestrian Signal Head Colour Codes.....	36
Table 20. Riser Cable Identification Chart	36

INTRODUCTION

2.0 OTHER REFERENCE DOCUMENTS

All roads and transportation systems shall be designed and constructed in accordance with the latest versions of this manual as well as other industry standards and best practices, including but not limited:

- [Ontario Provincial Standard Specifications \(OPSS\) and Ontario Provincial Standard Drawings \(OPSD\)](#)
- [Geometric Design Guide for Canadian Roads prepared by the Transportation Association of Canada \(TAC\)](#)
- Ontario Traffic Manual (OTM) prepared by the Ministry of Transportation (MTO)
- American Association of Transportation Highway Officials (AASHTO), latest edition
- Roadway Lighting ANSI / IES RP-8 prepared by the Illuminating Engineering Society of North America (IESNA), latest edition
- Guideline for Security Lighting for People, Property and Public Spaces, G-1-03 prepared by IESNA, latest edition
- Crime Prevention Through Environmental Design (CPTED)
- [City's Facility Accessibility Design \(FAD\) Standards](#)
- [City of Brantford Downtown Streetscape Design Plan](#)
- [City of Brantford Urban Design Guidelines](#)
- National Cooperative Highway Research Program (NCHRP), Report 672
- [Canadian Highway Bridge Design \(CSA S6-14\)](#)
- City of Brantford Traffic Signals Minimum Warrants for Installation Policy
- [City of Brantford Traffic Calming Policy](#)

- City of Brantford Pedestrian Signals Policy
- City of Brantford Roundabout Policy
- City of Brantford Pedestrian Crossovers Policy
- [City of Brantford Active Transportation Master Plan](#)
- TAC 'Manual of Uniform Traffic Control Devices for Canada', Latest Edition (MUTCDC)
- TAC 'Canadian Guide to Traffic Calming', Latest Edition

3.0 INDUSTRY STANDARDS AND SPECIFICATIONS

All roads and transportation systems shall comply with the latest version of all applicable industry standards and specifications for quality management and quality control, including but not limited to the following:

- Electrical Safety Authority (ESA)
- Canadian Standards Association (CSA)
- American Society for Testing and Materials (ASTM)

4.0 OTHER APPLICABLE ACTS AND LEGISLATIONS

This manual does not supersede, nor replace any legislation governing the design and construction of road and transportation systems.

The Proponent shall be fully familiar with the latest version of these legislative requirements such when carrying out design and construction of City linear projects, such as:

- [Ontario Highway Traffic Act](#)
- [Municipal Act](#)
- [Ontario Water Resources Act](#)
- [Environmental Assessment Act](#)
- [Environmental Protection Act](#)
- [Accessibility for Ontarians with Disability Act \(AODA\)](#)

DESIGN

DESIGN

5.0 GENERAL

This section outlines the minimum Right of Way requirements in achieving the City’s policies regarding Complete Streets and Healthy Communities, as set out by its latest Transportation Master Plan Update. The purpose of the policies is to focus on designing, maintaining and operating public streets in a manner that promotes sustainable transportation.

6.0 ROAD CLASSIFICATIONS

6.1 Classifications

All urban roadways in new developments shall be classified according to the traffic volume expected and the intended use of the roadway.

In predominantly residential areas, four classifications shall be noted: Laneway, Local, Minor Collector and Major Collector. Arterials are defined in the following section. The proposed classification of all streets in the development shall be confirmed with the City prior to commencement of design. Table 1 is presented as a guide to the determination of street classification.

All roads within the urban boundary, shall be designed and constructed to urban standards with full municipal services (e.g. concrete curbs with subdrains, asphalt on granular base, concrete sidewalks, catchbasins, storm sewers and street lighting). Rural roads within the municipal boundary shall be designed in accordance with applicable County of Brant standards.

Table 1. Street Classifications

Design Parameter	Laneway	Local Roads (Up to 18.5 m ROW)	Minor Collector Roads (Up to 24.5 m ROW)	Major Collector Roads (Up to 30.5 m ROW)	Arterial Roads (Up to 40.0 m ROW)
Number of Through Lanes per Direction	1	1	1	2	2
Typical Traffic Volumes (AADT)	Less than 1,000 vehicles per day	Less than 2,000 vehicles per day	2,000 to 8,000 vehicles per day	8,000 to 12,000 vehicles per day	8,000 to 20,000 vehicles per day
Posted Speed Range (km/h)	Preferred 30, up to 50	Preferred 40, up to 50	Preferred range of 40 to 50, up to 60	As low as 40, to a typical range of 50 to 60	Preferred 60, up to 80
Minimum Design Speed (km/h)	0-10 km/h > Posted Speed	0-10 km/h > Posted Speed	0-10 km/h > Posted Speed	0-10 km/h > Posted Speed	10 km/h > Posted Speed
Primary Design Vehicles (No Turning Encroachment)**	Passenger Car	Passenger Car	Passenger Car, Transit Bus, HSU	Passenger Car, Transit Bus, HSU, Snowplow, Fire Truck	Passenger Car, Transit Bus, HSU, Snowplow, Fire Truck, WB-20
Low Frequency Design Vehicle (Turning Encroachment Permitted)**	HSU, Snowplow	HSU, Snowplow, Fire Truck	Snowplow, Fire Truck	WB-20 for non-truck routes, non-commercial / industrial zones	N/A
Optional Design Vehicle (No Turning Encroachment)**	Fire Truck	N / A	WB-20 for truck routes, commercial / industrial zones	WB-20 for truck routes, commercial / industrial zones	Long Combination Vehicles (LCVs)

* Does not include turning lane requirements

** Minimum intersection curb radius to be determined in conjunction with design vehicle of intersecting road using turning templates. Minimize over design by using design vehicles from the lower road class.



7.0 ROADWAY CROSS-SECTIONS

Refer to the Detailed Cross-Sections within this City manual for requirements on above and below grade infrastructure for local, minor collector, major collector and minor arterial roads.

To ensure vehicles have a safe corridor in case of emergency, a minimum 4.0 m clearance on residential/local streets that are primarily single family dwellings, or a 6.0 m clearance for commercial/industrial properties is required.



Typical & Detailed Cross-Sections are included in this manual for the following:

- Laneway
- Local Roads
- Minor Collector Roads
- Major Collector Roads
- Arterial Roads

The cross-sections are provided for guidance purposes during design and construction.

There are minimum and typical widths identified for above and below grade infrastructure for each road classification.

Deviations may be necessary and will be reviewed and accepted by the City on a case-by-case basis.

8.0 GEOMETRIC DESIGN ELEMENTS

All design aspects specified in **Table 2** shall meet the requirements in the TAC Geometric Design Guide for Canadian Roads, latest edition.

Horizontal curvature of roadways classified as minor collector or greater shall provide a minimum centreline radius of 120m where the City's typical posted speed limit of 50km/h applies. In locations with a posted speed greater than 50km/h, a larger radius may be required in order to provide adequate sightlines.

For roadways classified as local, horizontal radius curvature shall also be provided at a minimum of 120m, however, where required, a 90 degree bend in the roadway will be permitted.

9.0 INTERSECTIONS

Intersections shall be designed based on the classification of the two (or more) intersecting roads. All standards pertaining to the design of intersections are as outlined in **Table 2** and shall be in accordance with TAC Geometric Design Guide for Canadian Roads, latest edition.

10.0 CUL-DE-SACS

Where necessary and approved by the City, temporary and permanent cul-de-sacs shall be implemented in accordance with the requirements included in this City manual. The maximum allowable length of roads that terminate in a cul-de-sac is 250m.

Minimum gutter grades of 0.5% shall be maintained along the flow line of all gutters around the cul-de-sacs, the design road grade on the cul-de-sac and at the beginning of the bulb area where catchbasins are to be located.

All cul-de-sacs, bulbs and intersections shall be detailed at a scale larger than the road plan.

The details shall show gutter, crown and other grades sufficient to determine that the road will properly drain and shall be used as a basis for layout.

Table 2. Geometric Design Elements

Geometric Detail	Laneway	Local Roads	Minor Collector Roads	Major Collector Roads	Arterial Roads
Maximum Road Grade (%)	6.0	6.0	6.0	6.0	6.0
Minimum Road Grade (%)	0.5	0.5	0.5	0.5	0.5
Minimum Cross Fall (%)	2.0	2.0	2.0	2.0	2.5
Sub Base Grade (%)	3.0	3.0	3.0	3.0	3.0
Maximum Grade Major Approach at Intersections (%)	3.0	3.0	3.0	3.0	3.0
Grade for Minor Approach at Intersections (%)	Match cross fall of major approach				
Minimum Curb Grade (%)	0.5	0.5	0.5	0.5	0.5
Vertical Curve Minimum Sight Stopping Distance (m)	65.0	85.0	85.0	85.0	85.0 - 140.0
Maximum Superelevation (%)	Normal Crown	Normal Crown	Normal Crown	Normal Crown	2.0
Minimum Intersection Spacing Between Adjacent Intersections measured from the centerline to centerline of the intersections (m)	unsignalized: 35 signalized: N/A	60 between unsignalized intersections 240 between signalized intersections			

11.0 LOCATION OF UTILITIES

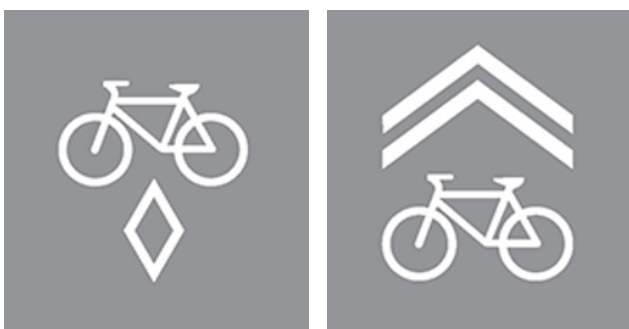
The location of all utilities within the road allowance shall be in accordance with the Typical Cross-Section included in this City manual and with the City's Utilities Design and Construction Manual.

12.0 CYCLING FACILITIES

Cycling facilities shall be designed in accordance to the City of Brantford Active Transportation Master Plan, as well as to the latest edition of TAC Bikeway Traffic Control Guidelines for Canada and Ontario Traffic Manual (OTM) Book 18.

If technically feasible, cycling facilities shall be incorporated into all future collector and arterial roads and any such roads that are redesigned and repaved unless otherwise approved by the City.

Cycling facilities will be incorporated onto existing collector roads, where available space permits. Pavement structure for the on-street bike lanes are to be as per the required pavement structure for the class of road on which the bike lane is being constructed.



Refer to the Typical Cross Sections included in this City manual for further guidance on location. Signage and pavement markings are to be incorporated in accordance with TAC Bikeway Traffic Control Guidelines for Canada, latest edition.

Refer to the Ontario Traffic Manual (OTM) Book 18 for cycle track design.

13.0 PAVEMENT DESIGN

13.1 General Requirements

Minimum thickness of asphalt and granular materials are provided in **Table 3, 4** and **5**. These are subject to change based on recommendations of the Geotechnical Engineer.

Pavement design shall be determined based on the following tables. These guidelines may be adjusted depending on soil moistures, plasticity, drainage problems and the amount of underground services being constructed. Native material shall be qualified through laboratory analyses completed as per the MTO Laboratory Testing Manual.



13.2 Alternative Sub-Base Materials

The City will consider alternative materials, such as reclaimed concrete and asphalt for typical granular applications such as:

- Sub-base for Pavements.
- Base for Pavements.
- Engineered Fill.
- Pavement Shoulders.
- Construction Access Roads, Bike Paths and Trails and Granular Driveways.

The alternatives shall be in accordance with OPSS and submitted for approval by the City.

Table 3. Minimum Pavement Design Requirements for Local Roads

Sub-grade Material Classification	Clay (%)	Silt (%)	VF SA & Silt (%)	HL3 (mm)	HL4 (mm)	Granular 'A' (mm)	Granular 'B' Type II (mm)	Total Depth (mm)
Type A Sandy Loams, Clay Loams, Sandy Clays	25-35	10-20	< 25	40	50	150	300	540
Type B Light to Medium Clay	40-55	25-35	25 - 30	40	50	150	360	600
Type C Medium to Heavy Clay	55 +	25-35	25 - 40	40	50	150	460	700
Type C Acceptable to Light Borderline	N / A	35-45	40 - 55	40	50	150	460	700
Type D Light to High Borderline	N / A	40-50	45 - 59	40	50	150	560	800
Type E High Borderline to Unacceptable	N / A	45 +	50 +	40	50	150	300 + *660ssm	1200
* Indicates imported Select Sub-grade Material								

Table 4. Minimum Pavement Design Requirements for Collector Roads

Sub-grade Material Classification	Clay (%)	Silt (%)	VF SA & Silt (%)	HL3 (mm)	HL8 (mm)	Granular 'A' (mm)	Granular 'B' Type II (mm)	Total Depth (mm)
Type A Sandy Loams, Clay Loams, Sandy Clays	25-35	10-20	< 25	40	90	150	300	580
Type B Light to Medium Clay	40-55	25-35	25 - 30	40	90	150	380	660
Type C Medium to Heavy Clay	55 +	25-35	25 - 40	40	90	150	480	760
Type C Acceptable to Light Borderline	N / A	35-45	40 - 55	40	90	150	480	760
Type D Light to High Borderline	N / A	40-50	45 - 59	40	90	150	580	860
Type E High Borderline to Unacceptable	N / A	45 +	50 +	40	90	150	300 + *660ssm	1240
* Indicates imported Select Sub-grade Material								

Table 5. Minimum Pavement Design Requirements for Arterial Roads

Sub-grade Material Classification	Clay (%)	Silt (%)	VF SA & Silt (%)	HL3 (mm)	HL8 (mm)	Granular 'A' (mm)	Granular 'B' Type II (mm)	Total Depth (mm)
Type A Sandy Loams, Clay Loams, Sandy Clays	25-35	10-20	< 25	40	90	150	330	610
Type B Light to Medium Clay	40-55	25-35	25 - 30	40	90	150	430	710
Type C Medium to Heavy Clay	55 +	25-35	25 - 40	40	90	150	530	810
Type C Acceptable to Light Borderline	N / A	35-45	40 - 55	40	90	150	530	810
Type D Light to High Borderline	N / A	40-50	45 - 59	40	90	150	630	910
Type E High Borderline to Unacceptable	N / A	45 +	50 +	40	90	150	300 + *660ssm	1240

* Indicates imported Select Sub-grade Material
 ** Material types are based on Soil Classifications (Table 6)

Table 6. Soil Classifications

Classification	Grain Size (mm)
% Clay	0.005 to 0.0
% Silt	0.050 to 0.005
% VF SA & Silt	0.104 to 0.005

For all new developments, concrete curb shall be standard barrier curb and gutter and shall be two-stage construction as per the requirements included in this City manual and OPSD. The second stage of curb shall be installed at the time of top course asphalt.

For all retrofit projects, concrete curb shall be standard barrier curb and gutter in accordance with OPSD, or as otherwise approved by the City.

14.0 CONCRETE CURB

Curb and gutters shall be in accordance with OPSS, OPSD and the City's Facility Accessibility Design (FAD) Standards, latest edition.

The minimum curb and gutter grade will be 0.5%.



15.0 SUBDRAINS

Subdrains shall be in accordance with OPSS. Exceptions and/or reduction of subdrain installation shall be accompanied with a geotechnical report, outlining the soil conditions and what impact the reduction of subdrains shall have on the life of the pavement.

Subdrains shall include the connection of an outlet to a drainage structure or another approved drainage outlet.

Subdrain shall be perforated high density polyethylene pipe complete with geotextile sock with a minimum diameter of 150 mm and a minimum slope of 0.5% shall be installed continuously below the curb and gutter, unless soil conditions warrant otherwise.

16.0 DRIVEWAY AND DRIVEWAY APPROACHES

16.1 General Requirements

Driveways and approaches/curb depressions shall be designed in accordance with OPSS, OPSD, City's Site Plan Manual and the City's Facility Accessibility Design (FAD) Standards, latest edition.

Existing driveway to property and driveway approaches shall be replaced with asphalt or decorative concrete if impacted by construction activities.

New driveway and driveway approaches shall be submitted to the City for review and approval.

Existing curb returns at driveways will be reinstated on a case-by-case basis as approved by the City.

A minimum driveway separation distance shall be determined based on the latest edition of the TAC standards and in accordance with OPSS.

Driveways shall have a minimum slope of 1% to a maximum slope of 8%. No reverse slope driveways shall be permitted.

16.2 Driveway Materials

Table 7 outlines materials requirements for asphalt and concrete driveways. All driveways shall be in accordance with OPSS and the requirements included in this City manual.

Driveway and driveway approaches shall match existing conditions wherever possible. Any deviation shall be reviewed and approved by the City.

Paver stones will be considered on a case-by-case basis to match existing conditions as required and as approved by the City.

Table 7. Driveway Requirements

Land Use	Material
Single Family Residential	<p>Asphalt:</p> <ul style="list-style-type: none"> 40 mm of HL3F surface course 40 mm of HL4 base course 150 mm of Granular 'A' <p>Concrete:</p> <ul style="list-style-type: none"> 150 mm Concrete 150 mm of Granular 'A'
Apartments, Commercial and Light Industrial Properties	<p>Asphalt:</p> <ul style="list-style-type: none"> 40 mm of HL3F surface course 50 mm of HL4 base course 300 mm of Granular 'A' <p>Concrete:</p> <ul style="list-style-type: none"> 150 mm Concrete 150 mm of Granular 'A'
Heavy Industrial Properties	<p>Asphalt:</p> <ul style="list-style-type: none"> 50 mm of HL3F surface course 100 mm of HL8 base course (2 lifts) 300 mm of Granular 'A' <p>Concrete:</p> <ul style="list-style-type: none"> 175mm Concrete 150 mm of Granular 'A'

16.3 Curb Depression

Curb depressions are required at all pedestrian road crossings and provide the smooth integration of vehicles to and from roadways at driveways. These shall be designed in accordance with the City's Facility Accessibility Design (FAD) Standards, latest edition.

The width of a driveway curb depression shall be calculated using the following equation and shall be within the range of values provided in **Table 8**. Refer to Detail **DF-01** in Standard Drawings.

CD = W+2R where,

- CD = Driveway Curb Depression Width (m)
- W = Width of Driveway (m)
- R = Radius of Driveway (m)

Table 8. Driveway / Curb Depression Widths

Type	Residential (m)	Industrial, Commercial, Institutional (ICI) (m)
Urban (Single)	3.5 - 4.3	4.5 - 9.0
Urban (Double)	6.0 - 7.3	7.2 - 15.2

The width and location of driveway depressions shall be detailed on the engineering drawings. The driveways shall be designed to accommodate the anticipated vehicular traffic without causing interference with the traffic flow on the street.

For driveway approaches with open ditches, culverts shall be implemented as required in accordance with the Stormwater Management Report.

17.0 ROUNDABOUTS

17.1 General Requirements

Roundabouts shall be designed in accordance with TAC Geometric Design Guide for Canadian Roads, and Canadian Roundabout Design Guide, latest editions, NCHRP, Report 672 and the requirements included in this City manual. In accordance with policy: Public Works-022, roundabouts shall be considered for installation at the following locations:

- All locations which meet or will meet future all-way stop or traffic signal warrants should be studied for feasibility of installing roundabouts.
- Existing intersections which may be experiencing capacity problems, those operating at poor levels of service or those which have collision problems are locations which could be improved by conversion to roundabouts.
- Development-related intersections: the best opportunities to implement roundabouts will occur through the development process where major issues, such as land requirements and construction costs, can be most easily dealt with. Roundabouts can be integrated into the overall design concept. This will be assessed in a Transportation Design Study (TDS).

17.2 Initial Assessment

An initial assessment is required to confirm whether a roundabout is feasible.

Although roundabouts are not specifically subject to the Class Environmental Assessment (EA) process, stakeholders will be contacted and the public advised of any roundabouts planned as part of a capital project.

17.2 Initial Assessment (cont'd)

Criteria useful for an initial assessment of roundabouts at existing or new intersections as part of a capital project include:

- **Right-of-Way (ROW):** in a retrofit situation with existing ROW, is there enough space for a roundabout, or is additional ROW or property required? The size of a roundabout will depend on the design vehicle to be accommodated and traffic flows that dictate whether the roundabout is single-lane or multi-lane.
- **Intersection Geometry:** Does the intersection have an offset, high skew angle, or more than four legs? Roundabouts can accommodate unusual geometry if there is sufficient ROW.
- **Safety:** Are there high numbers of angle and turning movement collisions that could be mitigated with a roundabout?
- **Delays or Queues:** Are there high delays or long vehicle queues being experienced that could be mitigated with a roundabout?
- **Traffic Flows:** Are existing or forecast traffic flows relatively balanced between approaches? However, unbalanced flows do not necessarily mean a roundabout is not a suitable alternative, as there are other benefits to roundabouts such as safety. Also consider if there is a high percentage of turning movements? High left turn flows, for instance, favours roundabouts because of signal lost time.
- **Nearby Structures or Traffic Control:** Is the location near a structure? A roundabout may not require additional approach lanes and therefore not require that a nearby overpass or underpass be widened. Is it near a signalized intersection where queues may spill back into the roundabout? Is it located near a railway crossing, where queues may block the railway tracks? Traffic signals can be interconnected with a railway crossing, but not a roundabout.
- **Nearby Driveways:** Do any driveways need to be relocated because of splitter islands?
- **Land Use Context:** Is there a land use transition where a roundabout could notify motorists of a change in the road environment? Can they be used at either end of a commercial corridor to accommodate U-turns, allowing access driveways to be right turns only? This can mean more commercial sites served with driveways spaced closer together.
- **Traffic Calming:** Are high traffic speeds being experienced, or likely, due to the design of the road and the surrounding land uses?
- **Vulnerable Road Users:** Does the intersection have high numbers of bicyclists, or are there visually impaired pedestrians?
- **Technical Constraints:** Are there any steep grades, unusual drainage, possible difficulties with meeting sight distance requirements, that may preclude a roundabout?

17.2 Initial Assessment (cont'd)

An Initial Assessment Report will be prepared by the Proponent outlining the results and recommendations for the implementation of a roundabout for review and approval by the City.

18.0 PEDESTRIAN WAYS

18.1 General Requirements

Improving accessibility of the built environment not only meets Accessibility for Ontarians with Disabilities Act (AODA) compliance requirements but also supports the City's commitment to the Walkability Charter. The Walkability Charter aims to create a barrier-free community to promote inclusion and social / economic participation of all residents and visitors.

Design of pedestrian ways shall be in accordance with OPSS, OPSD, AODA, and the latest edition of the TAC Geometric Design Guide for Canadian Roads and the City's Facility Accessibility Design (FAD) Standards.

The Typical Cross-Sections in this manual shall be used as a guideline for the location and design of sidewalks and multi-use trails on all road classifications.

18.2 Sidewalks

The location and extent of sidewalks shall be reviewed and approved by the City.

Sidewalk locations shall first be located depending on factors such as continuity of routes and direct routes to major pedestrian destinations or attractions such as schools, parks, libraries, community mail boxes, commercial properties.

Sidewalks adjacent to cul-de-sacs shall be implemented in accordance with the requirements included in this City manual. Sidewalks, both permanent and temporary, shall be installed where there are trail linkages.



In the absence of an existing sidewalk, a new sidewalk shall be considered.

Table 9. Concrete Sidewalk Requirements

Element	Parameter
Sidewalk Thickness (mm)*	150
Granular 'A' Base Thickness (mm)	150 (min.)
Sidewalk Width (m)**	1.5 (local roads) 1.8 (collector roads) 2.0 (arterial roads)
Sidewalk Grade (%)***	0.5 to 5
Sidewalk Crossfall (%)	2 to 4

* Sidewalk thickness shall be increased to 200 mm at commercial and industrial entrance ways. Additional reinforcement shall be considered as required by the City.
 ** 2.0 m is preferred sidewalk width for arterial roads. 1.8 m is minimum.
 *** Steeper grades shall be reviewed and approved by the City based on site conditions.

18.3 Multi-Use Trails / Cycle Paths (Within ROW)

The design of multi-use trails will depend on the number of users, the neighbourhood demography and the surrounding environment that the trail or pathway will pass through. The location and extent of multi-use trails shall be reviewed and approved by the City early in design. Multi-use trails shall be in accordance with Accessibility for Ontarians with Disabilities Act (AODA) guidelines, latest edition.

Multi-use trails shall contain the following minimum pavement structure: 40 mm (HL3F), 40 mm (HL4) and 150 mm (Granular A). Permeable pavement shall be considered where suitable.

The minimum width for multi-use trails shall be 3.0 m, with a 0.6 m to 1.0 m clearzone from property line and other obstructions. The exact width will depend on its anticipated use, the infrastructure adjacent to it, its surrounding natural features, topography and the area through which it passes.

18.4 Tactile Surface Warning Plates

Uncoated cast-iron tactile surface warning plates shall be integrated into sidewalks at curb ramps and depressed curb areas to assist pedestrians who are visually impaired. Radius plates are required for installations along curves. Square plates will not be permitted for use along curves. They shall be designed in accordance with OPSD, Accessibility for Ontarians with Disabilities Act (AODA) requirements and the City's Facility Accessibility Design (FAD) Standards, latest editions.



19.0 BUS STOPS AND SHELTERS

Bus stops and bus shelters shall provide barrier-free access, meeting the design standards outlined in the City's Facility Accessibility Design (FAD) Standards and the standards stated herein.

Bus Stops shall:

- Be located as close to intersections as possible and their location coordinated with neighbourhood trail connections and building entrances.
- Incorporate a concrete, firm level surface.
- Have minimum dimensions of 10.0 m (parallel to the curb) by 2.5 m.
- Be connected to adjacent sidewalks.

Bus Shelters shall:

- Be located on firm, concrete, level pads approximately at the same elevation as the sidewalk or walkway.
- Have clearances around at least two sides of the shelter, including the landing pad side, of at least 1.22 m.
- Be set back a minimum of 0.6 m from curbs and sidewalks, to provide sufficient space for snow clearing.
- Provide a clear view of oncoming traffic.
- Incorporate sufficient clear floor space to accommodate a person using a wheelchair or scooter.
- Feature at least one seat with armrests.
- Incorporate decals and other safety features on all glazed panels surrounding bus shelters.
- Not obstruct sight lines
- Be connected to adjacent sidewalks.

20.0 TRAFFIC CONTROL

20.1 General Requirements

Designs for traffic control and devices shall be in accordance with the TAC Geometric Design Guide for Canadian Roads, Ontario Traffic Manual and the Highway Traffic Act.

Designs for traffic control and devices shall use the Approved Products List (APL) and Standard Drawings included in this City manual.

A Pavement Marking and Traffic Signage Plan shall be submitted for approval by the City which includes but is not limited to all required traffic signals, signs and markings, such as:

- Directional Arrows
- Parking and Accessible Parking Signs
- Visibility Triangles
- Vehicle Turning radii
- Abutting Streets
- Traffic Islands (where applicable)
- Pavement Markings

20.2 Traffic Control Signals

Traffic signals shall be considered warranted if intersection conditions meet or exceed the requirements of Ontario Traffic Manual (OTM) Book 12 in accordance with the City of Brantford Traffic Signals - Minimum Warrants for Installation Policy. The general spacing between signalized intersections will be based on the road classification and will be determined by the Traffic Impact Study (TIS).

20.3 Pedestrian Crossing Treatments

Pedestrian crossing treatments shall be considered warranted if intersection conditions meet or exceed the requirements of Ontario Traffic Manual (OTM) Book 12 and are approved by the City. The particular treatment shall be selected based on the guidance in OTM 15 as well as the City of Brantford Active Transportation Master Plan. Warrants and general guidelines for Pedestrian crossovers are outlined in the City of Brantford Pedestrian Crossovers Policy

Sidewalks shall provide access to pedestrian activated (pushbutton) signals. Where required, designs shall be in accordance with Accessibility for Ontarians with Disabilities Act (AODA) requirements and the City's Facility Accessibility Design (FAD) Standards, latest edition.

20.4 Electrical Design

Electrical design for intersections shall be in accordance with requirements included in this City manual, OESC, Ontario Traffic Manual Book 12 and OPSS.

20.5 Pavement Markings

Pavement markings shall be designed in accordance with the Ontario Traffic Manual (OTM) Book 11 and requirements included in this City manual and shall be submitted to the City for approval, prior to application.



Temporary pavement markings will be applied as directed by the City. A second application of traffic paint is required on new asphalt surfaces, unless otherwise directed by the City. Pavement markings shall include reflectorizing glass beads. Durable pavement marking shall NOT be pre-formed plastic type. All transverse markings shall be applied with durable paint materials, or as otherwise directed by the City.

20.6 Traffic Calming Measures

The implementation of any traffic calming measure will be dependent on the findings of a Transportation Design Study (TDS) and a Traffic Calming Study (TCS) carried out in accordance with the City's Traffic Calming Policy. The design shall be in accordance with the TAC 'Geometric Design Guide for Canadian Roads' and TAC 'Canadian Guide to Traffic Calming'.

20.7 Traffic Detection

Traffic detection shall be designed in accordance with the Ontario Traffic Manual (OTM) and requirements included in this City manual and shall be submitted to the City for approval, prior to application.

21.0 STREET LIGHTING

21.1 General Requirements

This manual outlines the engineering standard practices that are to be employed for designing lighting systems that are under the jurisdiction of The City.

This manual also provides basic details of the standard lighting equipment and materials used by The City.

Specific and advanced details of the lighting equipment can be found in the Approved Products List. This manual presents the recommended standard practices and design guidelines for roadway and related lighting systems. At all times, good engineering practices and sound engineering judgment shall be used in determining the required solutions for the lighting designs.

All design criteria for roadway lighting systems are based on the IES Recommended Practice (RP) 8-21 recommended by the appropriate documents, shall be met for a lighting system, including but not limited to:

- Lighting levels (for Luminance Method and/or Illuminance Method)
- Uniformity ratios
- Veiling luminance (glare)

21.2 Lighting Design and Calculation Methods

All lighting design calculations must be prepared using AGI32 roadway lighting design software. The design file shall be submitted electronically. When lighting calculations are being performed, lighting designers shall use the luminaire manufacturer's IES formatted photometrics

for the lighting calculations. IES formatted photometrics are generally provided in digital file by the luminaire manufacturer upon request. These products used must be in accordance to the City's Approved Products List. The IES formatted photometrics for the luminaire(s) used shall be provided electronically with the project design file(s).

It is the requirement of The City that at least one of these lighting designs and calculation methods be used to meet the required design criteria for a city roadway lighting project:

- Illuminance Method - determines the amount of light incident on a surface from a roadway lighting system, this method must be used for straight sections and >600m Radius that are shorter than 100m, curves and intersections.(lux or foot candle)
- Luminance Method - determines the amount of reflected light from the pavement in the direction of the driver. It determines how "bright" the road is. This method shall be used for straight sections and >600m Radius that are longer than 100m (candela per meter squared)

The following recommendations are made to aid in determining the best method for a roadway lighting design:

- Small roadway lighting projects - such as isolated intersections and isolated conflict areas, can be adequately designed using the Illuminance Method.
- Medium sized roadway lighting projects - which include straight sections of roadway with continuous lighting and intersections of higher complexity, should be designed using the Illuminance Method and Luminance Method, with the most energy efficient design selected.
- Large roadway lighting projects - will require a design by both methods with the most energy efficient design selected.

Lighting design using the Luminance Method is an iterative process and, unlike the Illuminance Method, cannot be calculated directly. The following design process is suggested for designing medium to large roadway lighting projects:

1. Select the appropriate luminaire wattage and pole height;
2. Determine the appropriate illuminance design criteria;
3. Calculate the pole spacing using the Illuminance Method;
4. Evaluate the design in terms of luminance design criteria;
5. Modify the design and reiterate the process to achieve the luminance criteria.

21.3 Pedestrian Activity

Within the Roadway Lighting Classifications, major, collector, and local street classifications appropriately describe general conditions of vehicular traffic conflict, a second type of conflict, is the vehicle/pedestrian interaction.

The magnitude of pedestrian flow is always related to abutting land use. Three classifications of pedestrian night time activity levels and the types of land uses with which they are typically associated are given below:

- High – Areas with significant numbers of pedestrians expected to be on the sidewalks or crossing the streets during darkness. Examples are downtown retail areas, near theaters, concert halls, stadiums, and transit terminals.
- Medium – Areas where lesser numbers of pedestrians utilize the streets at night. Typical are downtown office areas, blocks with libraries, apartments, neighborhood shopping, industrial, parks, and streets with transit lines.
- Low – Areas with very low volumes of night pedestrian usage. These can occur in any of the cited roadway

classifications but may be typical of suburban streets with single family dwellings, very low density residential developments, and rural or semirural areas.

The choice of the appropriate pedestrian activity level for a street is an engineering decision. If needed, one hour pedestrian counts can be taken during the first hour of darkness on three selected days, to establish the estimated average pedestrian traffic counts.

A section of typical land use can be sampled by counting one or two representative blocks, or a single block of unusual characteristics can be counted, perhaps at a different hour, such as discharge from a major event.

The volume of pedestrian activity during the hour of count that warrants increased lighting levels is not fixed and represents a local option. Guidelines for possible local consideration are:

- High – over 100 pedestrians/hour
- Medium – 1 to 100 pedestrians/hour
- Low – 10 or fewer pedestrians/hour

These volumes represent the total number of pedestrian walking in both directions in a typical block or 200 meter section

21.4 Horizontal Illuminance for Sidewalks

Many roadways have adjacent sidewalks with the road allowance. The target values are outlined in Recommended Values for Pedestrian Areas found in RP-8-21 includes recommended maintained average horizontal and vertical illumination levels and uniformity ratios for high, medium, and low pedestrian activity. This level of lighting assists drivers and pedestrians in the undertaking the following activities:

- Detection of obstacles or hazards
- Perception of movements and intentions of others
- Reading of signs and building numbers
- Recognition of landmarks, bus stops,

street furniture, parked vehicles, curbs and other features

21.5 Roadway Lighting Luminaire Layout

Where continuous lighting is required between intersections, the luminaire poles shall be positioned in a one-sided spacing, an opposite spacing, a staggered spacing, or a median spacing.

The pole locations at intersections, as defined shall take priority in a lighting design. The luminaire pole spacing between intersections shall be designed and altered to suit the preferred locations of luminaire poles at the intersections.

When spacing luminaire poles between intersections, lighting designers shall measure the distance from the near side of each intersection, then calculate and determine the optimum spacing that will be required to achieve the proper lighting levels and to provide a consistent spacing of the luminaire poles.

The spacing distance shall be changed in a smooth transition over several pole cycles for roadways that change width or change required lighting levels. For example, if the spacing distance must change from 40m to 60m (due to the narrowing of the roadway), it is advisable to change in increments of 5m. The optimum pole spacing, as calculated to meet the theoretical design criteria, may not suit an even or consistent spacing between intersections.

The lighting designers shall use good engineering judgment to either compress or stretch out the theoretical pole spacing so that even and consistent pole spacing is achieved.

21.6 Intersection Lighting Design

Intersections of Continuously Lighted Roads -recommended lighting design criteria for intersections in areas of continuous roadway lighting are outlined in RP-8-21 Illumination for intersections.

Recommended lighting level values are given for the Illuminance Method only. It is based on the principle that the amount of light should be proportional to the classification of the intersecting routes and equal to the sum of the values used for each separate street.

Luminaire wattages and pole mounting heights at intersections shall match those on the approach roads if continuous lighting is required between intersections.

For isolated intersection lighting, pole heights and luminaire wattages shall be consistent with the types of intersecting roads.

If the intersection is signalized, the luminaires shall be mounted using combination signal/luminaire poles and positioned to suit the traffic signal requirements.

21.7 Luminaire Poles at Driveways

Luminaire poles located beside driveways shall be positioned such that the minimum clearances of 1.0 metre are maintained.

21.8 Luminaire Poles at Trees

Luminaire poles located besides landscaping trees shall be positioned such that the minimum clearances of 4.0 metres are maintained.

21.9 Streetlighting Equipment

A complete list of all City pre-approved materials can be identified in the **“Approved Product List”**

22.0 TRAFFIC SIGNS

22.1 General Requirements

All street signs shall be in accordance with Ontario Traffic Manual (OTM) and the TAC 'Manual of Uniform Traffic Control Devices for Canada', Latest Edition (MUTCDC). All signs installed for permanent installation shall conform to the APL.

Signage within the downtown area shall follow the guidelines set out in the City's Downtown Streetscape Design Plan.

Two-sided street name signs will be placed at every intersection. Single post mounts will be used on all roads. The only exceptions will be mast-mounted street signs at signalized intersections.

23.0 PARKING

Parking shall be in accordance with the details in the City's Official Plan and the Urban Design Guidelines. Parking Stall design shall be in accordance with Ontario Traffic Manual (OTM).

The on-street parking design guidelines are as follows:

- Parallel on-street parking is preferred over perpendicular or angled parking.
- On-Street parking shall typically be provided at a ratio of one available parking space per two residential units
- Where appropriate, on-street parking shall be delineated through curb or line painting.
- Bump-outs / curb extensions can be used with on-street parking with the City's approval.
- Permeable paving options are encouraged where appropriate in order to promote on-site water retention and are subject to the City's approval.

24.0 STREET TREES

24.1 General Requirements

The City encourages designs that incorporate trees to improve on-site water retention and reduce the volume of post-development runoff.

A Landscape Plan, with due consideration given to avoiding street lighting, utility and underground infrastructure conflicts, shall be submitted for review and approval by the City.

Details regarding topsoil, mulch, water used for irrigation, wooden stakes and tree ties are provided in this City manual.



Note: Above image is for illustrative purposes of on-street parking and is not indicative of a standard bollard

24.2 Tree Spacing and Buffers

The spacing between trees will depend on the area in which they are to be located as shown in **Table 10 and Table 11**.

Table 10. Tree Spacing

Type of Area	Tree Spacing (m)
Intensification Area	8.0 - 10.0
Residential Infill	6.0 - 9.0
Urban Growth Centre	6.0 - 8.0
Downtown Street Corner Curb Extension	8.0
Banner Street Corner Curb Extension	8.0
Specialty Street - Market Street	8.0
Specialty Street - Victoria Park Perimeter	8.0
New Development	10.0
Boulevard Width for Tree Planting	1.5

Table 11. Tree Buffers

Feature	Spacing (m)
Driveway	2.0
Street Lights	5.0
Stop Signs	15.0
Main Traffic Intersections	20.0
Secondary Traffic Intersections	20.0
Fire Hydrants and Underground Vaults	3.0
Communication Pedestals	2.0
Pad-Mount Transformers	3.0
Community Mailboxes	2.0
Service Connections / Laterals	3.0
Underground Utilities	3.0

Note: Trees should be spaced consistently within the ranges provided above based on mature size. Appropriate clearances from utility boxes, street lights and sight triangles should be considered. Additional consideration should be given to sight lines prior to location of trees planted at intersections.

24.3 Tree Species

Refer to the Tree Species List (www.brantford.ca/en/living-here/tree-species-list.aspx).

Any other street tree species that is not in the approved list must be approved by the City prior to planting. Native tree species are preferred, especially in close proximity to natural areas. Diversity is required. The trees must be 50 mm caliper or larger with a single trunk. All trees must be of No. 1 Grade.

A list of approved deciduous street trees for the downtown area is provided in the Downtown Streetscape Design Plan (<https://www.brantford.ca/en/business-and-development/resources/Documents/Downtown-Streetscape-Design-Plan.pdf>).

24.4 Topsoil, Seed and Sod

Topsoil shall be best quality fertile, loose, loamy material screened to be free from stones and weeds, to be placed and graded in the locations and to the depths directed by the City. Topsoil must not contain any chemical contamination or material detrimental to plant growth.

Topsoil must meet the following City requirements:

- Organic Matter 4% minimum
- Clay 5-25%
- Silt 25-50%
- Sand 30-70%
- pH 6 – 7.5.

PH levels above 7.5 may be considered, provided that a recommendation is provided by a Certified Agronomist stating that the high pH level is not detrimental to plant growth.

The primary seed mixture shall have the following composition:

- 40% Canada or Kentucky Blue Grass
- 30% Creeping Red Fescue
- 30% Perennial Rye Grass

24.4 Topsoil, Seed and Sod (cont'd)

Bags shall bear the seed supplier's label clearly indicating species' content, grade and mass as well as the recommended seeding rate for the establishment of new lawn areas.

Sod shall be Commercial Grade Kentucky Bluegrass Nursery Sod according to the Specifications, Classifications and Use of Turfgrass Sod for Nursery Sod Growers Association of Ontario.

Sod shall be seeded and established in nursery sod fields as a turfgrass sod. There shall be no more than 5 broad-leaf weeds per 40 m² of sod and up to 20% non-specified grass, latest edition.

Sod shall be of sufficient density that no surface soil is visible. The grass height shall be 30 mm minimum and 70 mm maximum.

Starter fertilizer shall comply with the provisions of the Canada Fertilizers Act and Fertilizer Regulations.

Fertilizer shall be supplied in bags bearing the manufacturer's label indicating mass and analysis.

All fertilizer shall be in granular form: dry, free flowing, free from lumps and with an analysis of 8-32-16.

25.0 BOULEVARD DESIGN

Street furniture, such as seating, planters, bollards, waste receptacles and recycling centres for the downtown streetscape will be as per the City of Brantford's Downtown Streetscape Design Plan.



Street furniture in other areas of the City shall be in accordance with the Urban Design Manual, Latest Edition.

Detailed cross-sections shall be referenced when placing street furniture to avoid utility conflicts and ensure proper clear zone setbacks from edge of driving lane.

26.0 FENCES AND WALLS

26.1 Fences

Fencing shall be implemented within the ROW as required by the City. Fencing abutting City property shall be located 0.3 m from the property line in the ROW. Footings shall not encroach on private property.

Fencing is not required where noise barrier walls are to be installed. All private fencing shall be located on private property and shall conform to standards outlined in the City's Site Plan Manual and in City Fencing By-law.

26.2 Noise Attenuation Walls

The acoustical design and structure of all required noise attenuation walls shall be approved by the City. A noise attenuation wall abutting City property shall be located 0.3 m from the property line in the ROW. Footings shall not encroach on private property.

The design, drawings and construction compliance certification shall be sealed by a Professional Engineer and submitted to the City for approval.

All private noise attenuation walls shall be located on private property and shall conform to standards outlined in the City's Site Plan Manual.

26.3 Retaining Walls

All retaining wall materials shall be based on site conditions and application, as approved by the City and in accordance with OPSS. The preferred system is a gravity wall, or as otherwise approved by the City.

All retaining walls are to have the face of the wall placed on the ROW in such a manner that any tie backs or footings are located entirely within the ROW.



In the case where an encroachment on the adjacent property is inevitable, a written consent from the property owner shall be obtained. Coordination of the easement shall be through the City.

Retaining walls, 0.6 m high or greater, are to be designed by and constructed to the specifications of a Registered Professional Engineer in accordance with the Ontario Building Code. Pedestrian guard shall be located at the top of the wall when the wall is greater than 1 m unless otherwise approved by the City .

The design, drawings and construction compliance certification shall be sealed by a Professional Engineer and submitted to the City for approval.

All private retaining walls shall be located on private property and shall conform to standards outlined in the City's Site Plan Manual.

Any run-off from retaining walls shall not drain onto adjacent pavement.

26.4 Guide Rails

All guiderails shall require a TAC Roadside Safety Manual Warrant Analysis completed.

CONSTRUCTION

CONSTRUCTION SPECIAL PROVISIONS — CONTRACT

27.0 ASPHALT WORK

27.1 General

This section is in accordance with the provisions of OPSS.

27.2 Materials Requirements

Hot mix asphalt material specifications shall be in accordance with OPSS as modified by the Contract Documents and Drawings with reference to Geotechnical Reports (if provided).

27.3 Execution

— Milling and Disposal —

Partial - Depth Milling

Asphalt milling is to include a vacuum sweeper to clean the base asphalt areas prior to the placement of the tack coat layer.

Ramping

The Contractor must ensure that a smooth transition on the road is provided from the existing asphalt to the milled surface. Construct a safe and gradual temporary asphalt ramping with cold mix asphalt and / or compacted asphalt milling material and posting of “Bump” signs.

The transition width of the construction ramps shall be at least 1.0 m wide to provide a smooth transition between the various road surfaces.

Full - Depth Milling

This tender item shall include milling of the existing bituminous pavement and the underlying granular base where specified, to the dimensions outlined in the Contract Document.

The operation shall ensure that 100% of the mixed material by mass passes the 50 mm sieve size and 95% passes the 37.5 mm sieve.

The Contractor shall remove and dispose of unsuitable materials that cannot be removed by the milling machine (e.g. Clay-type or larger stones) to reach the depths required to accommodate the new granular / asphalt design depths.

Disposal of Asphalt/Granular Milled Materials

Management of asphalt / granular materials by disposal shall be in accordance with current regulations.

— Tack Coat —

Clean Bond Coat (or approved equivalent SS-1HH anionic asphalt emulsion) trackless tack coat is the sole product specified for use in City of Brantford paving contracts

Tack coat shall be applied to all surfaces and materials as specified in OPSS. Tack coat application and joint painting shall be carried out in accordance with OPSS.

The tack coat shall be fully cured before permitting access to construction traffic or paving. The tack coat must be applied sufficiently in advance to allow full curing. Traffic is not permitted to drive on the tack coat.

Payment shall be made at the contracted price per square metre of tack coat installed.

— Sampling and Testing —

Asphalt that is deemed to be unacceptable by the City due to quality, appearance, compliance or grade, must be removed and replaced at the Contractor's expense.

27.3 Execution (cont'd)

— Asphalt Cement —

Asphalt cement shall be as per OPSS. The City is located in geographical zone 3 therefore PGAC grade 58-28 will normally be specified. The City reserves the right to increase the Performance Graded Asphalt Cement (PGAC) in accordance with OPSS, when noted in Special Provisions.



— Winter Heating Charges —

Winter Heat charges shall be deemed to be included in the various unit prices bid in the contract for asphalt work.

— Longitudinal Joints and Joint Heater —

The longitudinal edge of the paving lane must be at least 120C prior to placement of the adjacent lane and initial compaction of the longitudinal joint. If the temperature of the longitudinal edge falls below 120C, the Contractor will be required to use an infrared joint heater to raise the asphalt temperature and allow for heat to penetrate the lift to achieve a joint density at least equal to the specified asphalt mat density. The joint must not be heated by methods (no open flame) that will damage the asphalt cement (AC) content or burn the light oils in the mix. The paving and joint heating operations shall be coordinated to comply with the traffic control requirements specified for the project.

— Paving Joint Deficiencies —

When matching a compacted joint, the depth of the uncompact mat shall be set to allow for compaction.

Where the joint construction produces a ridge or lip along the longitudinal joint of adjacent mats or joint along any other rigid surface, the joint shall be corrected by one of the following procedures at the discretion of the City.

Milling of the ridge or lip to produce a flush surface across the joint, or full removal and replacement of the lift of the paving lane(s). The milling procedure is not an approved method for the top lift asphalt layer.

— Paving Equipment for Placement of Hot Mix Asphalt: Roads —

Highway class pavers and rollers, operated by experienced operators, shall be used to accomplish the placement and compaction of hot mix asphalt pavement on city roads.

Spreader Specifications

Pavers shall have a uniformly heated, fully floating, hydraulically operated screed with gradual vibrating controller. The screed shall have a minimum width of 2.4 m and be extendable to a width of at least 4.0m with automatic grade and slope controls.

The screed shall be capable of producing a desirable, smooth surface and even texture, free of any mat defects such as tearing, shoving, gouging and segregation.

Spreader shall be certified annually by the manufacturer before the start of the paving season.

- Hopper Capacity: minimum 12 tonne
- Track Length: 3 m or equivalent with Rubber tires
- Operating Weight: minimum 15 tonne

27.3 Execution (cont'd)

— Paving Equipment for Placement of Hot Mix Asphalt for Parking Lots and Multi-Use Trails —

Placement of hot mix asphalt pavement for parking lots shall be accomplished by using an approved paver and roller in accordance with OPSS.

Spreader Specifications

A uniformly heated screed, fully floating, hydraulically operated with gradual vibrating controllers and a minimum width of 2.4 m extended to 4.0 m with an automatic grade and slope controller.

The screed should be capable of producing a desirable, smooth surface and even texture, free of any mat defects such as tearing, shoving, gouging and segregation.

Spreader shall be certified annually by the manufacturer before the start of the paving season.

- Hopper Capacity: minimum 8 tonne
- Track Length: 2.0 m or equivalent with Rubber tires

27.4 Measurement for Payment

Measurement for payment shall be per tonne of asphalt cement, by grade.

— Increase / Decrease in Hot Mix Asphalt Prices —

The City will adjust the payment to the Contractor based on changes to the Ministry of Transportation (MTO) specifications and performance graded asphalt cement price index.

The price index will be published monthly in the MTO Contract Bulletin and displayed on the Ontario Asphalt Pavement council (www.onasphalt.org) and MTO Council website (www.mto.gov.on.ca).

The price index will be used to calculate the amount of the payment adjustment per tonne of asphalt cement accepted into the Work.

The price index will be based on the price, excluding taxes, freight on board (FOB) the depots in the Toronto area, of asphalt cement grade PG 58-28 or equivalent. One index will be used to establish and calculate the payment adjustment for all grades.

A payment adjustment per tonne of asphalt cement will be established for each month in which paving occurs when the price index for the month differs by more than 5% from the AC price index for the month prior to the tender opening. When the price index differential is less than 5% there will be no payment adjustment for that month. The price adjustment only applies to Contracts with greater than 500 tonnes of machine laid hot-mix asphalt

Payment adjustments due to changes in the price index are independent of any other payment adjustments made to hot mix tender items.

Harmonized sales tax (HST) adjustment shall be applied to the adjustment. The payment adjustment per tonne will apply to the quantity of asphalt cement in the hot mix accepted into the Work during the month for which it is established.

28.0 PAVEMENT MARKINGS

28.1 General

This section is in accordance with the provisions of OTM, Book 11.

28.2 Materials Requirements

Pavement markings include reflectorizing glass beads. Durable pavement marking shall not be pre-formed plastic type.

28.3 Execution

Pavement markings shall be in accordance with the Contract Documents and Drawings, this City manual and OTM Book 11. Prior to the application of the pavement markings, The City must approve the pre-marking.

28.4 Measurement of Payment

Measurement for payment shall be per metre for the length noted in the tender. Symbols shall be by each.

29.0 MAINTENANCE HOLE ADJUSTMENTS - CORING METHOD

When maintenance hole adjustments are specified using the coring method, the Contractor shall supply all labour, material and equipment for adjustment of maintenance hole frame and covers. The work shall include:

- Coring of the pavement structure. The core shall be a minimum diameter of 1.2m (48"), or as otherwise specified, centered over the frame and cover.
- Removal and disposal of all existing adjustments, granular material and/or soil within the cored area above the maintenance hole structure.

- Supply and installation of form work (i.e. sonotube) and setting of frame and cover to match final grades and cross fall. Form work shall match inner dimension of the frame and cover. All form work other than PVC or polyethylene materials must be removed.
- Supply and installation of 32MPa concrete (high-early strength mix) poured continuously from the top of the structure to the finish road grade. The concrete surface shall be broom finished.

30.0 GRANULAR MATERIAL

30.1 General

This section is in accordance with the provisions of OPSS.

30.2 Materials Requirements

Granular materials supplied and placed under the contract shall meet the requirements specified in the Contract Documents, Drawings and OPSS except for the following changes:

- Granular 'B' Type II materials supplied and placed under the contract shall be from natural aggregate and shall meet the OPSS gradation requirements for Type II.
- Pit run material is an approved product for Granular B Type II but must have a minimum of 45% crushed aggregate.
- If suitable, recycled material excluding asphalt shall be considered for Granular 'A'.

30.3 Execution

The Contractor is responsible for the supply, placement and compaction of granular materials that will meet the gradation and physical properties in the specifications. Placement of the granular is to be as per the Construction and Detail Drawings and in accordance with OPSS.

Granular material that does not meet specifications must be removed and replaced with acceptable material at the Contractor's expense.

Before paving will be permitted, the finished granular elevations must meet the design elevations.

30.4 Measurement of Payment

Measurement for payment shall be per tonne of materials supplied and placed.

31.0 CONCRETE CURB

31.1 General

This section is in accordance with the provisions of OPSS.

31.2 Materials Requirements

See **Section 31.1**.

31.3 Execution

A minimum subbase thickness of 150 mm granular 'A' is to be used as a base for curbs. The material must be compacted to 98% Standard Proctor Maximum Dry Density (SPMDD) and must extend 300 mm beyond the back of the curb.

Concrete shall have a 28 day compressive strength of 32 MPa.

31.4 Measurement of Payment

Measurement for payment shall be per metre along the flow line of the gutter whether straight or curved, without separation into types. Such measurements shall include the space occupied by setbacks, gutter outlets and frames with grates.

32.0 SUBDRAIN

32.1 General

This section is in accordance with the provisions of OPSS.

32.2 Materials Requirements

The subdrain shall be perforated high density polyethylene pipe with geotextile sock, or as otherwise specified by the Contract.

32.3 Execution

Installation of subdrain pipe shall be in accordance with OPSS and Contract Documents and Drawings.

The perforated subdrain will be coupled with a geotextile sock prior to its installation. The subdrain shall be installed after the subgrade cross-section is established.

32.4 Measurement of Payment

Measurement for payment shall be per metre horizontally along the centreline of the pipe between the ends of the pipe subdrain, including outlets, or between the upstream end of the pipe subdrain and the centre of a maintenance hole, catchbasin, or ditch inlet.

33.0 ASPHALT DRIVEWAYS

33.1 General

This section is in accordance with the provisions of OPSS.

33.2 Materials Requirements

Materials shall be in accordance with OPSS and as specified in the Contract Documents and Drawings.

33.3 Execution

Table 12. Asphalt Driveway Requirements

Land Use	Materials
Single Family Residential	Asphalt: <ul style="list-style-type: none"> 40 mm of HL3F surface course 40 mm of HL4 base course 150 mm of Granular 'A'
Apartments, Commercial and Light Industrial Properties	Asphalt: <ul style="list-style-type: none"> 40 mm of HL3F surface course 50 mm of HL4 base course 300 mm of Granular 'A'
Heavy Industrial Properties	Asphalt: <ul style="list-style-type: none"> 50 mm of HL3F surface course 100 mm of HL8 base course (2 lifts) course 300 mm of Granular 'A'

33.4 Measurement of Payment

Measurement for payment shall be per square metre of existing asphalt (full depth) and granular removal and disposal.

Measurement for payment shall be per tonne of hot mix asphalt and granular 'A' supplied and placed at specified depths.

34.0 CONCRETE DRIVEWAYS

34.1 General

This section is in accordance with the provisions of OPSS.

34.2 Materials Requirements

See **Section 34.1**.

34.3 Execution

Table 13. Concrete Driveway Requirements

Land Use	Materials
Single Family Residential	Concrete: <ul style="list-style-type: none"> • 150 mm Concrete • 150 mm of Granular 'A'
Apartments, Commercial and Light Industrial Properties	Concrete: <ul style="list-style-type: none"> • 150 mm Concrete • 150 mm of Granular 'A'
Heavy Industrial Properties	Concrete: <ul style="list-style-type: none"> • 175 mm Concrete • 300 mm of Granular 'A'

Driveway concrete thickness shall match the existing thickness to a minimum of 150 mm. Granular 'A' base shall be compacted to 98% SPMD.

34.4 Measurement of Payment

Measurement for payment shall be per square metre of existing concrete (full depth) and granular removed and disposed of.

Measurement for payment shall be per square metre of concrete and granular 'A' supplied and placed at specified depths.

35.0 REPLACEMENT OF EXISTING PAVING STONE

35.1 General

This section is in accordance with the provisions of OPSS.

35.2 Materials Requirements

The Contractor shall replace existing paving stone to match or exceed existing site conditions.

35.3 Execution

The Contractor shall replace any paving bricks broken as a result of this work. The contractor must make every possible attempt to match existing colour style.

The work shall include any cutting of the paving stones required to match the new grade.

35.4 Measurement of Payment

Measurement for payment shall be per square metre installed.

36.0 SIDEWALKS AND MULTI-USE TRAILS

36.1 General

This section is in accordance with the provisions of OPSS, OPSD, Contract Documents and Drawings, Accessibility for Ontarians with Disabilities Act (AODA) and the City's Facility Accessibility Design (FAD) Standards.

36.2 Materials Requirements

Concrete sidewalk materials shall be in accordance with OPSS and as specified in the Contract Documents and Drawings. Sidewalk concrete will have a minimum strength of 32 MPa and be comprised of crushed limestone.

The concrete shall be poured in place with a broom finish for traction. This same finish applies if it is separated from the curb and gutter by a boulevard.



Where a sidewalk is within 1.0 m of the base of a tree, the concrete shall be reinforced with rebar to provide protection against heaving. Multi-use trail materials shall be in accordance with OPSS and as specified in the Contract Documents and Drawings.

36.3 Execution

Construction of concrete sidewalks shall be in

accordance with OPSS, OPSD and the Contract Document and Drawings:

- Contraction joints shall be sawcut, 5 mm wide and shall be cut at a minimum depth of one quarter of the sidewalk thickness.
- Expansion joints shall be placed every 30.0 m centre to centre maximum. Expansion joints shall be constructed to the full depth and width of the slab.
- Contraction joints shall be spaced at 2.5 m centre to centre maximum.
- All joints are to be perpendicular to the line of the sidewalk.

Sidewalks shall be 1.5 m to 2.0 m as specified by the Contract Documents and Drawings. They must have firm, stable and slip resistant surfaces. The surface of the paved trail shall be constructed in such a manner as to give a smooth transition between all new construction. The width for multi-use trails or pathways shall be 3.0 m, or as otherwise specified.

The Contractor shall not remove any sidewalk, walkway or trail unless otherwise required until such time as the Contractor is prepared to construct new surfaces. If the Contractor removes surfaces for any reason, the Contractor shall maintain and level surface for safe pedestrian access.

36.4 Measurement of Payment

Measurement for payment shall be per square metre in area.

37.0 TACTILE WARNING SURFACES

37.1 General

This section is in accordance with the provisions of OPSD, Accessibility for Ontarians with Disabilities Act (AODA) and the City's Facility Accessibility Design (FAD) Standards.

37.2 Materials Requirements

Tactile surface warning plates shall be cast iron

and be of uniform quality, free from surface defects and shall be provided with an untreated, natural surface finish.

Radius plates are required for installations along curves. Square plates will not be permitted for use along curves.

37.3 Execution

Tactile Surface Warning Plates are to be installed at all intersection ramps. The detectable warning system shall be installed in fresh concrete flush with the adjacent sidewalk resulting in a snug fit between tiles to limit water infiltration around the perimeter of the system and between tiles. Installation procedures shall be according to the manufacturer's specifications.

37.4 Measurement of Payment

Measurement for payment shall be per plate of 610 mm width acceptably installed to the specified conditions.

38.0 TRAFFIC SIGNALS

38.1 General

The following are the requirements for traffic signal installation and shall be in accordance with current regulations. The Contractor assumes responsibility for safe and proper operation of an intersection, traffic control, streetlights or infrastructure when it falls under the scope of a project, until it has been inspected, approved, and assumed by the City.

All electrical wiring terminations and splices; controller and cabinet set-up; and testing, review, and turn-on of all operational apparatus at each location shall be done by or in the presence of and under the responsibility of an employee of the Contractor who holds a Level II Traffic Signal Electrician Construction Technician certification which has been granted by the International Municipal Signal Association.

Installation inspections, troubleshooting,

maintenance and repair of these systems shall be accomplished by or in the presence of and under the responsible charge of an employee of the Contractor who holds a Traffic Signal Construction Technician Level II certification or Traffic Signal Field Technician Level II certification or IMSA Traffic Signal Inspector certification which has been granted by the International Municipal Signal Association. Supervision of non-electrical, traffic signal related construction work and traffic control shall be done by a person holding, at a minimum, a Level I Work Zone Traffic Safety Specialist certification which has been granted by the International Municipal Signal Association, or an equivalent certification approved by the Department.

Before starting work, the Contractor shall provide the names of the Level II Traffic Signal Electrician Construction Technicians, the Level II Traffic Signal Field Technicians and Level I Work Zone Traffic Safety Specialists who have been assigned to perform signal related work, and a photocopy of each such person's certification card. If the Level II Traffic Signal Electrician Construction or Field Technicians or Level I Work Zone Traffic Safety Specialists are dismissed from the work, all signal related work requiring such certified personnel on the project site shall cease until the names and photocopies of certification cards for replacement personnel are provided to the Municipality.

Traffic detection shall be included at every fully signalized intersection in accordance with the Ontario Traffic Manual, the requirements included in this City manual and as per the City's Approved Products List.

38.2 Materials Requirements

— Pole Bases for Sectional Steel Poles —

The following chart shall be utilized to determine the appropriate bolt size and spacing.

Table 14. Bolt Size and Spacing for Pole Bases

Sono Tube Base Size	Size (in)	Bolt Spacing ¹ (cm)	Anchor Bolt (cm)
# 5	30	27.9	3.2
# 6	30	31.6	3.2

¹ Bolt spacing is to be measured from the center of the anchor bolts.

— Ground Plates or Rods, Connections and Installation —

Ground rods shall be 20mm x 3.0m, copper clad. The ground rods will be driven the full length of the rod. The top of a ground plate shall be 600mm below the finished grade (OESC 10-102). Connections shall be left uncovered until they have been inspected.

Connections to the ground electrodes shall be made with #6 copper wire (OESC 10-114) using a CSA or equivalently approved connection that adheres to OESC 10-118.

No Substitutions will be permitted.

— Electrical Power Service Connections —

All wiring must be copper.

— Disconnect Grounding Conductor —

The disconnect grounding conductor is to be installed in 20mm or 25mm rigid PVC conduit between the disconnect box and the ground.

— #6 AWG RWU90 Cable —

The #6 AWG cable is to be installed in 25mm PVC conduit between the disconnect box and

the ground.

— #6 RWU90 Green Ground Wire —

#6 RWU90 Green Copper Ground Wire must be used as the intersection bonding conductor. Each ground lug must be able to accommodate two (2) #6 RWU90 Green Ground Wires and must be copper or brass. An anti-oxidant compound must be used. Aluminum ground lugs will not be permitted. **No Substitutions will be permitted.**

— #6 Black and #6 White RWU90 Cable —

#6 Black and #6 White RWU90 cable to be run from the power disconnect to the traffic cabinet as one continuous piece. No joints or splices allowed.

— Conduit —

The conduit shall be either rigid or PVC and shall be in accordance with OESC. The conduit in this section includes all PVC installed (except for power stacks and weather head).

Granular materials above the subgrade elevation on roadways shall conform to the requirements of OPSS Form, for Granular 'A' and Granular 'B' Type II and shall be compacted to 98% SPMDD. Native and imported backfill shall be compacted to 98% SPMDD. Report needed for compaction under roadway.

Care shall be taken that couplings and elbows are not split or damaged in any way to allow the seepage of water and / or foreign material into the conduit. The 100 mm conduit located within the pole bases must extend a minimum of 150 mm above the top of the pole base and no further than 300 mm.

— Junction Boxes —

Junction boxes shall be in accordance with OPSD.

38.2 Materials Requirements (cont'd)

— Disconnect Boxes —

Disconnect boxes shall be supplied by the City.

— 32mm PVC Conduit —

32mm PVC conduit shall be in accordance with OPSD.

— 32mm Weatherheads —

32mm Weatherheads shall be in accordance with OPSD.

— Traffic Signal Cable —

All IMSA traffic signal cables shall be #14 AWG, solid conductors.

Table 15. Traffic Signal Cable Colour Codes

Conductor Number	Base Colour	Tracer Colour
1	Black	N / A
2	White	N / A
3	Red	N / A
4	Purple	N / A
5	Orange	N / A
6	Blue	N / A
7	White	Black
8	Red	Black
9	Purple	Black
10	Orange	Black
11	Blue	Black
12	Black	White
13	Red	White
14	Purple	White
15	Blue	White
16	Black	Red
17	White	Red
18	Orange	Red
19	Blue	Red

Table 16. Wiring Chart Main Street

Signal Display	IMSA Colour Code
Red	Red
Amber	Orange
Green	Blue
Left Turn Red	Red / White
Left Turn Amber	Black / White
Left Turn Green	Blue / White
Don't Walk	Black
Walk	Purple / White
Common	White

Table 17. Wiring Chart Side Street

Signal Display	IMSA Colour Code
Red	Red / Black
Amber	Orange / Black
Green	Blue / Black
Left Turn Red	White / Red
Left Turn Amber	Orange / Red
Left Turn Green	Blue / Red
Don't Walk	Black / Red
Walk	Purple / Black
Common	White

IMSA Specification Number 19-1C seven (7) conductor traffic signal cable shall be used in all locations necessary for use as riser cables for all traffic signal heads.

Table 18. Traffic Signal Head Colour Codes

Signal Display	IMSA Colour Code
Red	Red
Amber	Orange
Green	Blue
Left Turn Amber	Black
Left Turn Green	White / Black
Common	White

38.2 Materials Requirements (cont'd)

— Traffic Signal Cable (cont'd) —

IMSA Specification Number 19-1C four (4) conductor traffic signal cable shall be used in all locations necessary for use as riser cables for pedestrian signal heads.

Table 19. Pedestrian Signal Head Colour Codes

Signal Display	IMSA Colour Code
Don't Walk	Red
Walk	Purple
Common	White

#16 AWG 5 conductor overall shielded, DECA 35DB1605, or approved equivalent shall be used to connect the pedestrian pushbuttons. Refer to Contract Drawings.

There must be NO bare conductors past the termination point at the controller terminal strip. Where appropriate, T&B 14RB6F, or equivalent, fork terminals must be used.

- Push Button Phase 2 — Black
- Push Button Phase 4 — Red
- Push Button Phase 6 — Orange
- Push Button Phase 8 — Green
- Common — White

Table 20. Riser Cable Identification Chart

Traffic Signal Head	Taping	Conductor Cable No.
Primary	No Tape	7 Conductor Cable
Secondary	1 White Tape	7 Conductor Cable
Auxiliary	2 White Tapes	7 Conductor Cable
Main Street Pedestrian	No Tape	4 Conductor Cable
Side Street Pedestrian	1 White Tape	4 Conductor Cable

The outer cover of the traffic signal cables shall be stripped back a minimum of 300 mm and a maximum of 400 mm at the connections within the poles.

All wire connections must be facing up and none of the connections are to be taped.

No connections or joints to be made below grade or in junction boxes.

There must be NO bare conductors between the compression plate and the insulation of the wire at the controller terminal strip.

Wire in cabinet must be neat in appearance. The wires are to be taped for identification in accordance with the requirements included in this City manual.

All wiring #19-1C (20 conductor traffic cable) shall have one wrap of red tape clockwise from the traffic controller and shall have two wraps of red tape downstream of the traffic controller.

All wiring #19-1C (20 conductor traffic cable) shall have one wrap of blue tape counter clockwise from the traffic controller and shall have two wraps of blue tape downstream of the traffic controller.

— Traffic Signal Controller and Pad —

The concrete for the controller base is to be 30 MPA minimum strength (28-day test) MTO mix.

The joints between the controller pad and the base extension and between the base extension and the controller cabinet shall be sealed with a good quality weatherproof silicone compound.

An additional pad must be constructed in front of the traffic controller pad. This pad is to be constructed in concrete only and measure 800 mm x 800 mm x 150 mm.

— Traffic Signal Heads —

Traffic signal heads shall be in accordance with OTM Book 12 Figure 2 complete with 3M reflective tape on backboards. Led modules

shall be secured with GGI brand QCK clips. Neutral conductors must be terminated inside the head using Wago 221-415 connectors. Other site specific changes must be approved by City Traffic staff.

— Pedestrian Signal Heads —

Install two (2) section Poly Yellow LED pedestrian signal heads complete with countdown timer. Pedestrian signal heads shall be in accordance with the requirements included in this City manual.

— Audible Pedestrian Pushbuttons —

Audible pedestrian pushbuttons shall be in accordance with the requirements included in this City manual.

— Rubber Cushion Hangers —

Rubber cushion hangers shall be in accordance with the requirements included in this City manual.

— Astro or Versa Brackets —

All 4 section or larger traffic signal heads and 300 mm x 300 mm x 300 mm (12" x 12" x 12") signal head mounted on a mast arm. Astro or versa brackets shall be in accordance with the requirements included in this City manual. No double arm brackets are to be used without authorization.

— Mounting Posts —

Mounting posts shall be in accordance with the requirements included in this City manual.

— Traffic Signal Poles —

Traffic signal poles shall be of sectional, thin walled, galvanized steel. Hand holes of the base section shall be 178x305mm. Approved manufacturer is PoleFab, alternatives to manufacturer or composition must be approved by City Traffic staff.

— Temporary Traffic Signal —

Any temporary traffic signal application shall be by design only and shall require approval by the City. All associated equipment and appurtenances shall follow the requirements included in this City manual.

— Temporary Traffic Signal —

See **Section 38.1.**

38.3 Execution

— Pole Bases —

Concrete pole bases are to be constructed as per OPSS and OPSD in the locations specified in the Contract Documents and Drawings..

The pole base shall be augered, hand dug or utilizing the services of a vac truck as may be required by the location of underground utilities. The pole bases must be constructed of reinforced 30 MPa concrete.

— Electrical Power Service Connections —

Installation of the power service shall be completed within the first ten (10) working days of the project to allow the Supply Authority sufficient time to provide power prior to date of signal turn on.

— #6 RWU90 Green Ground Wire —

The ground wire must be connected to each pole by ground lugs in a continuous run and connected to the disconnect box.

If the ground lugs are not preinstalled in the poles, then it is the responsibility of the Contractor to supply and install the ground lugs.

There must be a separate #6 RWU90 Green Copper Ground Wire installed from the controller cabinet to the disconnect box.

— #6 Black and #6 White RWU90 Cable —

Two (2) #6 Black and one (1) #6 White RWU90 cable shall also be installed from the disconnect box to the power source.

The Contractor will make the necessary connections to the disconnect box and supply authority will make the connections to the power lines. The Contractor is responsible for making all arrangements with the supply authority and ESA.

— Conduit —

The work under this item shall include all trench excavation, supply and installation in the trench of the rigid PVC conduit, backfilling with native material, installation of warning tape, the compacting of the backfill in the trench, as well as the restoration of the surface of the trench (topsoil and sod, asphalt, concrete sidewalk).

Where the proposed conduit conflicts with underground utilities, the Contractor will adjust the depth of the conduit to accommodate utilities.

The excavation and conduit must be kept free of water at all times.

Where open cut could cause a significant impact on traffic or the public, directional drilling of the conduit is permitted. Directional drilling must be approved by the City prior to the work commencing.

Conduit ends in junction boxes must be located no closer than 200 mm below the junction box lid.

Empty conduits must have the ends plugged and a rope pulled through the conduit and tied securely at both ends.

Where PVC conduit extends above ground level, expansion joints must be used.

The Contractor will be required to submit the exact location for conduit to the City for review and approval. Trench and sidewalk cuts must be maintained until all work has been completed.

— Junction Boxes —

A minimum of 150mm of clearstone rock shall be placed at the bottom of each junction box.

— Disconnect Boxes —

The Contractor shall leave sufficient wire (#6 RWU90 Black & White) coiled at the weather head to meet the requirements of OESC 6-302 3) for the connection to the secondary bus by the supply authority.

It will be the responsibility of the Contractor to contact the Supply Authority three (3) weeks before the power to the service is required and request a "Service Layout". The Contractor will meet the service representative on-site and explain what is required to complete the services.

— 32 mm PVC Conduit —

32 mm PVC conduit is to be attached to concrete poles with stainless steel banding. 32 mm PVC conduit is to be attached to wooden poles with a 2-hole steel clamp screwed into place.

— 32 mm Weatherheads —

See Materials Requirements.

— Traffic Signal Cable —

A minimum of 1500mm of slack must be left inside the junction box for each cable.

All cable shall be installed in either conduits or within the traffic signal poles. The outer cover of the traffic signal cables shall be stripped back a minimum of 300 mm and a maximum of 400 mm at the connections within the poles.

All wire connections must be facing up and none of the connections are to be taped. No connections or joints to be made below grade or in junction boxes.

There must be NO bare conductors past the

termination point at the controller terminal strip.

Wire in cabinet must be neat in appearance.

— Traffic Signal Controller and Pad —

All signal timing and intersection phasing at the intersection shall either be pre-installed in the traffic controller or programmed by the City. Under no circumstances is the Contractor to program or edit intersection timings or phasing. Communications modems shall be installed in every cabinet as per the APL.

The Contractor is to wire the conductor traffic cables, pedestrian pushbutton cables as well as all power and grounding wires. The City staff will test all connections prior to intersection “turn on” to ensure proper operation.

The concrete pad that the traffic controller is to be mounted on shall be 460 mm x 800 mm x 800 mm deep and shall be constructed in the location as specified in the Contract Documents and Drawings. The top of the pad is to be between 50 mm and 100 mm above the finished grade.

— Pedestrian Signal Heads —

See Materials Requirements.

— Rubber Cushion Hangers —

See Materials Requirements.

— Traffic Signal Heads —

All traffic signal heads installed **must** be securely bagged with approved bags (i.e. no signal heads visible) until such time as the signal installation is completed and working and removal of the cover is authorized by the City staff.

— Audible Pedestrian Pushbuttons —

Pushbutton must be installed at a height of 1050±50mm when measured from the sidewalk/ finished grade to the centre of the pushbutton

and meet requirements of O. Reg. 191/11, s. 80.28. Pushbutton must be drilled and tapped to the pole (not self-drilling screws).

— Install Astro or Versa Brackets —

See Materials Requirements.

— Mounting Posts —

See Materials Requirements.

— Traffic Signal Poles —

The poles are to be installed in the locations as specified in the Contract Documents and Drawings or as laid out in the field. The pole is to be installed directly on top of the concrete pole base and levelled with a nut and washer above and below the base plate and provide 35 mm - 45 mm clearance between the pole mounting plate and the concrete pole base (OSPD). The pole is to be placed so that the handhole is on the sidewalk side of the pole facing away from traffic but not to interfere with push buttons operation.

The contractor shall install 3 1/4" grade 8 bolts tapped into each overlap of pole sections and 2 in the mast arm plate colour matched to the pole.

Joint Use Poles

Where poles are to be utilized for traffic signals and street lighting, they must be a minimum of a #5 Sectional Steel Pole.

Aluminum Traffic Signal Mast Arms

The Contractor shall install aluminum single member mast arms complete with all attachments and fittings.

The traffic signal mast arms must be mounted so as to provide a minimum of 5.0 m and a maximum height of 5.5 m clearance between the pavement and the bottom of the traffic signal head backboard.

Pedestrian signal heads will be installed utilizing 0.6 m aluminum mast arms complete with Rubber Cushion Hanger and boot.

The pedestrian signal mast arm shall be mounted so as to provide a clearance of not less than 2750mm and not more than 3000mm between the bottom of the pedestrian signal (or countdown timer, if installed) and the sidewalk.

No additional infrastructure is to be installed on a traffic pole arm.

— Temporary Traffic Signals —

See Materials Requirements.

— Removals —

The Contractor is responsible for the removal of all associated materials of the project such as existing Poles, Bases, Junction Boxes, Wires and Controller base.

All materials, from the time removed, are to be returned within five (5) working days to the City in good condition, unless otherwise noted. Materials removed that are to be reinstalled at a later date are the responsibility of the Contractor to store. The Contractor must notify the City of any damaged or malfunctioning materials that were removed prior to contractor storage.

Any supply wires must be identified by the supply authority and must not be disturbed without permission.

— Inspection —

The Contractor is responsible for coordinating and obtaining any inspections, approvals, or work by Brantford Power and the Electrical Safety Authority.

A final inspection of the locations will be completed by the City.

— Additional Cable Installation (Fire Pre-emption, Wireless Communications and Vehicle Detection) —

The Contractor shall install cables for the preparation of the installation of fire pre-emption equipment, wireless communications and vehicle detection.

The cables are to commence at the traffic controller and run to the appropriate location (as specified in the Contract Documents and Drawings or as directed by the City). The Contractor must leave 2.0 m of each cable pulled into the base of the traffic controller cabinet and 1.0 m of the appropriate cable at each termination point.

— Traffic Detection —

Traffic detection Installation location (above or below ground) of traffic detection system will be subject to City approval.

38.4 Measurement of Payment

— Poles Bases —

Payment shall be made at the contracted price for each pole base installed.

— Ground Plates or Rods, Connections and Installation —

Payment shall be made at the contracted price for each ground rod and connection installed as well as each metre of trenching.

— #6 AWG RWU90 Cable —

Payment shall be made for each linear metre of #6 AWG cable installed.

— #6 RWU90 Green Ground Wire —

Payment shall be made for each linear metre of #6 RWU90 Green Copper Ground Wire cable installed.

— #6 Black and #6 White RWU90 Cable —

Payment shall be made for each linear metre of cable installed.

— Conduit —

Payment shall be made at the contract price for each linear metre of PVC conduit installed.

— Junction Boxes —

Payment shall be made for each junction box installed.

— Disconnect Boxes —

Payment shall be made for each disconnect box installed.

— 32 mm PVC Conduit —

Payment shall be made for each linear metre of 32mm PVC conduit installed.

— 32 mm Weatherheads —

Payment shall be made for each weatherhead installed.

— Traffic Signal Cable —

Payment shall be made for each linear metre of traffic signal cable supplied and installed.

— Traffic Signal Controller and Pad —

Payment shall be made for the installation of the controller base, connection and testing of the traffic controller.

— Traffic Signal Heads —

Payment will be made at the contract price for each traffic signal head.

— Pedestrian Signal Heads —

Payment will be made at the contract price for each pedestrian signal head.

— Audible Pedestrian Pushbuttons —

Payment shall be made at the contract price for each pedestrian pushbutton.

— Rubber Cushion Hangers —

Payment shall be made at the contract price for each hanger.

— Install Astro or Versa Brackets —

Payment shall be made at the contract price for each Astro bracket.

— Mounting Posts —

Payment shall be made at the contract price for each mounting post.

— Traffic Signal Poles —

Payment shall be made for each pole.

— Aluminum Traffic Signal Mast Arms —

Payment shall be made for each mast arm.

— Removals —

Payment for this item will be lump sum for work performed.

— Traffic Detection —

Measurement of payment shall be number and type of traffic detection system installed.

39.0 TRAFFIC SIGNS

39.1 General

A Traffic Signage Plan shall identify locations and details of proposed signs. Traffic signs shall be designed in accordance with the Ontario Traffic Manual - Book 5 and shall be submitted to the City for approval, prior to application.

39.2 Materials Requirements

— Signs —

Materials shall be in accordance with the Ontario Traffic Manual and the Approved Products List.

— Posts —

Posts supplied by the City may be one of the following at specified locations:

- 4" x 4" or 6" x 6" Wood Posts if directed by the City
- Steel Drive Posts
- Telespar Anchor Sleeve, which accommodates the installation of a Telespar Sign Post by Traffic Department Staff

39.3 Execution

Construction shall be in accordance with the OTM and the Contract Documents and Drawings.

New posts and anchor sleeves will be supplied by the City unless otherwise noted in Tender Items or Special Provisions.

The Contractor is responsible for loading, hauling and handling of the sign posts from the Traffic Department, Traffic Section, between the hours of 8am to 3pm, Monday to Friday. A minimum of two (2) business days notice is required before pick up of the posts.

The sign mounting height shall be 2 m. Posts shall be 0.9 - 1.2 m deep. The contractor is responsible for obtaining all utility locates, and for any hand digging required for the installation.

Telespar Anchor Sleeves are to be driven into the ground to within 0.1 m of the surface to allow attachment of the sign post. Care must be taken to note damage to exposed end of the anchor sleeve to allow insertion of a Telespar post. A drive cap is recommended to be used to avoid damage.

39.4 Measurement of Payment

Measurement for payment shall be number of signs installed.

40.0 ENHANCED SAFETY

40.1 General

Enhanced Traffic safety measures shall be designed in accordance with the Ontario Traffic Manual (OTM) Book 6 and Book 15 and shall be submitted to the City for approval, prior to application. Enhanced traffic safety includes the following:

- Reflective Traffic Markers
- Flashers
- Reflective Bollards
- Speed Bumps
- Safety Signs
- Pedestrian Crossovers

40.2 Materials Requirements

See **Section 41.1.**

40.3 Execution

See **Section 41.1.**

40.4 Measurement of Payment

Measurement of payment shall be number of units installed.

41.0 STREET LIGHTING

41.1 General

This section is in accordance with the provisions of OPSS.

41.2 Materials Requirements

Materials shall be in accordance with OPSS and the requirements included in this City manual.

A complete list of City pre-approved materials can be identified in the “**Approved Product List**”, general overview is outlined below:

— Street Light Poles —

Concrete / Aluminum / Steel poles can be utilized of various class type and heights

— Luminaires —

- Cobra Head fixtures in 3000k color temperature
- Decorative (Lantern) style luminaires in 3000k color temperature
- Post Top style luminaires in 3000k color temperature

— Power Supply —

Pedestals or in-pole breakers are acceptable option for street light connections.

41.3 Execution

Construction shall be in accordance with the OTM and the Contract Drawings and Documents.

41.4 Measurement of Payment

Measurement for payment shall be number of Street lighting poles or appurtenances installed.

42.0 TOPSOIL AND SOD

42.1 General

This section is in accordance with the provisions of OPSS, except as amended or extended herein.

42.2 Materials Requirements

— Topsoil —

Topsoil shall be best quality fertile, loose, loamy material screened to be free from stones and weeds, to be placed and graded in the locations and to the depths directed by the City. Topsoil must not contain any chemical contamination or material detrimental to plant growth.

Topsoil must meet the following City requirements:

- Organic Matter 4% minimum
- Clay 5-25%
- Silt 25-50%
- Sand 30-70%
- pH 6 – 7.5.

pH levels above 7.5 may be considered, provided that a recommendation is provided by a Certified Agronomist stating that the high pH level is not detrimental to plant growth.

— Sod —

Sod shall be Commercial Grade Kentucky Bluegrass Nursery Sod according to the Specifications, Classifications and Use of Turfgrass Sod for Nursery Sod Growers Association of Ontario.

Sod shall be seeded and established in nursery sod fields as a turfgrass sod. There shall be no more than 5 broad-leaf weeds per 40 m² of sod and up to 20% non-specified grass. Sod shall be of sufficient density that no surface soil is visible. The grass height shall be 30 mm minimum and 70 mm maximum.

The soil portion of the sod shall be well permeated with roots. It shall be a good mineral type soil with a thickness of 10 mm minimum and 15 mm maximum. Individual sod pieces shall be of a condition that each may be lifted, rolled, transported and placed without breaking or tearing and without loss of soil under normal handling conditions.

Sod shall contain sufficient moisture to maintain its vitality during transportation and placement. The sod shall be fresh and shall not be cut earlier than the day previous to laying. If left overnight, it shall be stacked to prevent drying. The Contractor shall provide delivery slips confirming the date which the sod was cut.

— Starter Fertilizer —

Fertilizer shall comply with the provisions of the Canada Fertilizers Act and Fertilizer Regulations.

Fertilizer shall be supplied in bags bearing the manufacturer's label indicating mass and analysis. All fertilizer shall be in granular form: dry, free flowing, free from lumps and with an analysis of 8-32-16.

Fertilizer shall be applied uniformly at a rate of 3.5 kg / 100 m² unless a different application rate has been recommended in the topsoil test report. Apply fertilizer with a rotary spreader and work into topsoil to a depth of 50 mm by raking.

42.3 Execution

— Topsoil —

Testing

The Contractor shall, at their cost, submit to the City independent soil tests from an OMAFRA accredited laboratory. The topsoil report is only valid for 90 days from the date of analysis indicated on the report. Placement must occur within this 90 day period otherwise the material will be retested or rejected and removed at the Contractor's expense.

42.3 Execution (cont'd)

— Topsoil (cont'd) —

Testing

Topsoil shall be tested for phosphorous, potassium, calcium, magnesium, chloride, sodium, sodium adsorption ratio, cation-exchange capacity, base saturation (Na, Mg, Ca, H), soil texture (% sand, % silt, % clay), organic matter and pH. The report from the OMAFRA accredited laboratory must clearly indicate that nothing within the tested parameters are detrimental to plant growth.

The report shall also include any recommendations with respect to the type of fertilizer and the rate at which it should be applied to the topsoil layer in advance of the placement of new sod. No topsoil shall be delivered to the site until the City has received and reviewed the topsoil report.

The City reserves the right to sample topsoil at the source or as placed on site. Sampling and testing of the topsoil will be as directed by the City.

Acceptance or rejection of the topsoil material will be based on the test results. Rejected material must be removed at the Contractor's expense.

Placement

Prior to placing topsoil, the sub-grade shall be graded to eliminate uneven areas and low spots ensuring positive drainage. All debris, branches or stones shall be removed. No topsoil shall be placed until the City has inspected and approved the sub-grade condition. Care shall be taken when working around roots of live trees including hand excavation.

The topsoil surface shall be smooth with a fine loose texture prior to laying sod. The topsoil surface shall be free of lumps, hollows and deleterious materials.

Unless otherwise permitted by the City, the Contractor shall level topsoil delivered at the job site within one (1) full working day of delivery and sodding shall be carried out within one (1) full working day of levelling of topsoil.

Minimum Depths

Minimum depth of topsoil shall be 150 mm compacted upon completion of compaction of the sod. The City prior to placing any sod shall inspect topsoil depths.

The Contractor must take precautions in the vicinity of trees as to not disturb the root structure. The Contractor must place a sufficient amount of topsoil to allow for the compaction and settlement of the topsoil.

— Sod —

Sod Stakes

Stakes for pegging shall be wooded stakes approximately 19 mm x 19 mm x 300 mm in length. In locations where staking is required, every sod section shall be staked in the bottom three rows and every second row above. Stakes shall be driven flush with the sod but not deeper.

Operational Constraints

The placement of topsoil or sod shall not commence until the City has approved the surface preparation. A minimum of one (1) full working days' notice is required for inspection prior to placement of topsoil or sod.

Sod shall not be laid when in a frozen condition, under adverse field conditions such as high wind, frozen soil, or soil covered with snow, ice or standing water.

42.3 Execution (cont'd)

Placement of Sod

The Contractor shall supply and place sod as specified in the Contract Documents and Drawings. No voids shall be left between the soil portion of the sod and the underlying ground surface.

Sod shall be securely placed lengthwise across the face of slopes and parallel to the centerline of ditches.

End joints of adjacent sod pieces shall be staggered. The edges of adjacent sod pieces shall be placed tightly against one another without overlapping.

Existing grass areas must be cut straight and trimmed to accommodate the placement of the new sod. Sod shall be placed to match the existing grade level at all edges.

Joints shall be tamped to a uniform surface. Sod may need to be staked in sloped areas to avoid movement. Sod shall not be stretched during handling. Sod shall be placed tight to sidewalk to ensure no discontinuity for pedestrian activity.

All sod shall be machine rolled over placement. Where site conditions do not permit machine rolling due to restricted working area or steepness of slope, the Contractor shall hand tamp or hand roll the laid sod as necessary.

— Care and Watering of New Sod —

The Contractor shall be responsible for care and watering of newly laid sod.

The topsoil and sod contract item allows for payment of 21 applications at a rate of 10mm per 1m² of sod laid as scheduled and approved by the City.

Water shall be immediately applied to the sod to obtain moisture penetration through the sod and into 50mm of topsoil. Water shall be applied on a daily basis for the first 21 applications, unless precipitation is in presence or in forecast, or the ground contains sufficient moisture to ensure healthy and vigorous sod growth. Water shall be free of contaminants and impurities that would adversely affect the growth of the sod.

The Contractor may be required to provide proof to the City with an Invoice for the watering, and advance notification prior to the application of water.

The City prohibits direct water taking from the hydrants.

The sod areas shall be inspected by the City 15 days following its placement.

All new sod areas shall be healthy, actively growing and green in leaf colour. All sod shall be in the same location as originally placed and shall not have moved, eroded, slipped or sloughed.

Sod shall show evidence of rooting in the underlying soil. The sod shall be of sufficient density that no surface soil is visible. There shall be no competitive growth emerging from the sod or from between the sod joints.

The Contractor shall replace any sod areas, which in the sole opinion of the City does not meet these quality control criteria.

42.3 Execution (cont'd)

— Warranty —

The Contractor shall provide a **full one-year warranty period** for the sod following its placement, with additional watering included in the on-going maintenance. Additional watering during the warranty period beyond the 21 applications will be paid under the Watering of Landscaped Areas provisional item. (The Contractor must provide the City with a schedule for watering the sod, subject to review and approval by the City.)

The Contractor will be responsible to repair or replace dead or distressed sod at a minimum during the spring or fall or in some cases as directed by the City. The Contractor will not be expected to replace sod during very, hot and dry weather conditions.

The Contractor must comply with the City's request to repair or replace dead sod within 30 days. Any replaced sod is also subject to a 30 day maintenance period following placement.

If the 30 day maintenance period starts after or extends past October 1st, the maintenance period will be in effect until May 31st of the following year.

Failure to comply by the Contractor within this timeline will result in the City undertaking any necessary repairs and recovering any costs from the Contractor's maintenance holdback. This maintenance provision will be strictly enforced.

The City will inspect the new turf areas and notify the Contractor of any deficiencies at approximately the following intervals:

- 15 days following placement
- 30 days following placement
- October 31 of the year in which the sod was placed

- May 15 of the year following placement of sod
- One (1) year after placement of sod

The City reserves the right to extend the warranty period in extenuating circumstances where the Contractor has been negligent in the care of the sod, beyond the normal one year expiry date to ensure that replacement sod is healthy and actively growing.

42.4 Measurement of Payment

— Topsoil and Sod—

Measurement for payment shall be per square metre of material placed and graded on the site including the first 21 watering applications. It is noted that additional grading may be required in the area of hydro poles, signs and trees and this work shall be included in the unit price for topsoil and sod.

Excavation will be paid under the general excavation item in the Form of Tender.

— Watering of Sod —

Measurement for payment shall include the supply and application of water for any applications, beyond the first 21 watering applications. Measurement for payment shall be based on per application, and each application shall be at the minimum rate of 10 mm over the entire newly sodded area.

Only one application of water per day will be paid for unless otherwise directed by the City.

The **Contractor must provide the City with a schedule for watering the sod.** The Contractor may be required to provide proof to the City with an invoice for the watering and advance notification prior to the application of water.

43.0 TOPSOIL AND SEED

43.1 General

The provisions of OPSS apply except as amended or extended herein.

43.2 Materials Requirements

— Topsoil —

Refer to **Section 43.0** Topsoil and Sod for topsoil requirements.

— Seed —

The primary seed mixture shall have the following composition:

- 40% Canada or Kentucky Blue Grass
- 30% Creeping Red Fescue
- 30% Perennial Rye Grass

Bags shall bear the seed supplier's label clearly indicating species' content, grade and mass as well as the recommended seeding rate for the establishment of new lawn areas.

43.3 Execution

— Topsoil —

Refer to **Section 43.0** Topsoil and Sod for topsoil requirements.

— Seed —

Placement of Seed

The Contractor shall supply and place seed as specified in the Contract Documents and Drawings or as directed by the City.

Apply seed with "Brillion" seeder or other approved conventional dry seeder or spreader, in two applications at one half the rate with applications at 90° to one another. Lightly work seed into the topsoil after seeding with a fan rake or other approved method.

— Care and Watering of New Seed —

The Contractor shall be responsible for care and watering of newly laid seed.

The topsoil and seed contract item allows for payment of 21 applications at a rate of 10mm per 1m² of topsoil and seed placed as scheduled and approved by the City.

Water shall be applied on a daily basis for the first 21 applications, unless precipitation is in presence or in forecast, or the ground contains sufficient moisture to ensure healthy and vigorous seed growth. Water shall be free of contaminants and impurities that would adversely affect the growth of the sod.

The seeded areas shall be inspected by the City 15 days following its placement.

All new seeded areas shall be healthy, actively growing and green in leaf colour. Seeded areas shall also consist of healthy, vigorous turf, free of weeds and of sufficient density that no soil surface is visible.

The Contractor shall replace any seeded areas, which in the sole opinion of the City does not meet these quality control criteria.

43.3 Execution (cont'd)

— Warranty —

The Contractor shall provide a **full one-year warranty period** for the seeding following its placement, with additional watering included in the on-going maintenance. Additional watering during the warranty period beyond the 21 applications will be paid under the Watering of Landscaped Areas provisional item. The Contractor will be responsible to repair or replace dead or distressed seed at a minimum during the spring or fall or in some cases as directed by the City.

The Contractor will not be expected to replace seed during very, hot and dry weather conditions. The Contractor must comply with the City's request to repair or replace dead seed within 30 days.

Any replaced seed is also subject to a 30 day maintenance period following placement. If the 30 day maintenance period starts after or extends past October 1st, the maintenance period will be in effect until May 31st of the following year.

Failure to comply by the Contractor within this timeline will result in the City undertaking any necessary repairs and recovering any costs from the Contractor's maintenance holdback. This maintenance provision will be strictly enforced.

The City will inspect the new turf areas and notify the Contractor of any deficiencies at approximately the following intervals:

- 15 days following placement
- 30 days following placement
- October 31 of the year in which the sod was placed
- May 15 of the year following placement of sod
- One (1) year after placement of sod

— Warranty (cont'd)—

The City reserves the right to extend the warranty period in extenuating circumstances where the Contractor has been negligent in the care of the seed, beyond the normal one year expiry date to ensure that replacement seed is healthy and actively growing.

43.4 Measurement of Payment

— Topsoil and Seed —

Measurement for payment shall be per square metre of material placed and graded on the site including the first 21 watering applications., with no allowance for overlap.

It is noted that additional grading may be required in the area of hydro poles, signs and trees and this work shall be included in the unit price for topsoil and seed.

Excavation will be paid under the general excavation item in the Form of Tender.

— Watering of Seed —

Measurement for payment shall include the supply and application of water for any applications, beyond the first 21 watering applications. Measurement for payment shall be based on per application, and each application shall be at the minimum rate of 10 mm over the entire newly seeded area.

Only one application of water per day will be paid for unless otherwise directed by the City.

The Contractor must provide the City with a schedule for watering the seed. The Contractor may be required to provide proof to the City with an invoice for the watering and advance notification prior to the application of water.

44.0 PLANTINGS

44.1 General

The following are the requirements for plantings.

44.2 Materials Requirements

The Contractor shall supply and plant new hedge, shrubbery plants or trees, the plant material shall be supplied in accordance with the Canadian Standards for Nursery Stock, current edition.

A list of approved deciduous street trees for the downtown area is provided in the Downtown Streetscape Design Plan.

Refer to the Tree Species List (www.brantford.ca/en/living-here/tree-species-list.aspx).

Any other street tree species that is not in the approved list must be approved by the City prior to planting. Native tree species are preferred, especially in close proximity to natural areas. The trees must be 50 mm caliper or larger with a single trunk. All trees must be of No. 1 Grade.

44.3 Execution

Planting shall be carried out as recommended by the supplier of the plant material. An inventory of the planting recommendations shall be submitted to the City. The Contractor shall supply a two (2) year warranty for all plantings.

44.4 Measurement of Payment

Measurement for payment shall be per number of plantings supplied and planted.

45.0 REMOVE AND REPLACE FENCES

45.1 General

This section is in accordance with the provisions of OPSS.

45.2 Materials Requirements

Approved fence materials are wood, chain link, decorative iron fencing, masonry pillars or upgraded wood detailing.

- Wood fencing shall be pressure treated pine or western red cedar with galvanized hardware. Construction grade wood material is not acceptable.
- Chain link shall be black vinyl coated
- Perimeter fencing abutting municipal roadways requires an upgraded design.
- The acoustical design and structure of all required noise attenuation walls must be approved by the City.

— Wood Privacy Fencing and Standard Wood Fencing —

- 1.8 m high Wood Privacy Fencing shall be required between all residential properties that abut multi-residential, commercial, industrial, or institutional uses
- There shall be no openings between the boards of Privacy Fencing.
- All fencing shall extend to the ground surface to prevent openings.
- All wood fencing must be designed with attention to detail / visual interest and must be integrated into the overall landscape design. Broad expanses of board on board fencing with no vertical or horizontal articulation / wood detailing will not generally be permitted.
- Construction details must be provided on the site plan or landscape plan.

45.3 Execution

— Chain Link Fencing —

In areas where chain link fencing is required adjacent to parks and open space areas, a standard 1.5 m high black vinyl coated fence must be installed. Gauge of the fence shall be installed as per the OPSS.

— Fencing —

- Fencing abutting municipal roadways requires an upgraded design (decorative iron fencing, masonry pillars or upgraded wood detailing). High profile sites along busy streets may require perimeter fencing in addition to landscaping to provide appropriate screening and an attractive streetscape.
- Where concrete or masonry fence is proposed, construction details must be provided for review.
- All perimeter fencing (including noise attenuation walls) abutting City property must be located 0.3 m within the property line within the ROW. Footings shall not encroach on private property.
- Noise attenuating wall as per manufacturer's recommendations.

45.4 Measurement of Payment

Measurement for payment shall be per linear metres of fence.

46.0 RETAINING WALL

46.1 General

The following are the requirements for precast interlocking retaining walls.

46.2 Materials Requirements

All concrete materials shall be in accordance with OPSS.

46.3 Execution

All retaining walls are to be on the ROW.

Retaining walls, 1.0 m high or greater, are to be designed by and constructed to the specifications of a Registered Professional Engineer in accordance with the Ontario Building Code. Rails shall be located at the top of the wall.

The design, drawings and construction compliance certification shall be sealed by a Professional Engineer and submitted to the City for approval.

The Contractor shall excavate and construct retaining walls using precast interlocking blocks in accordance with the installation procedures of the manufacturer. The preferred system is a gravity wall.

A copy of the manufacturer's design for the proposed product shall be supplied to the City for review and approval prior to installation. The wall shall be constructed with a top course coping block layer secured in place.

46.4 Measurement of Payment

Measurement for payment shall be per square metre measured along the face of the wall including foundation course layers.

47.0 ADJUSTMENT OF APPURTENANCES

47.1 *General*

This section is in accordance with the provisions of OPSS.

47.2 *Materials Requirements*

Adjustment unit materials shall be in accordance with OPSS.

On existing roads proposed for one lift of asphalt, all appurtenances shall be scheduled so that they do not precede the paving operations by more than one week. All appurtenances above the road elevation must be clearly marked and signed to ensure pedestrian and vehicular safety.

On existing roads scheduled for two courses of asphalt, no adjustment of appurtenances shall be undertaken until after the placing of the base course. All appurtenances must be properly marked and protected until after the placing of the base course.

47.3 *Execution*

On reconstructed roads, all appurtenances shall be adjusted to base asphalt with some exceptions based on Road Classification.

The scheduling for adjustment of all appurtenances shall be governed by the proposed schedule.

The finished adjusted elevation of all appurtenances shall not vary more than 5 mm from the finished asphalt elevation.

Compaction of materials around adjusted appurtenances shall be by means of a mechanical tamper.

Adjustment units shall be in accordance with the appropriate OPSS for corresponding structure.

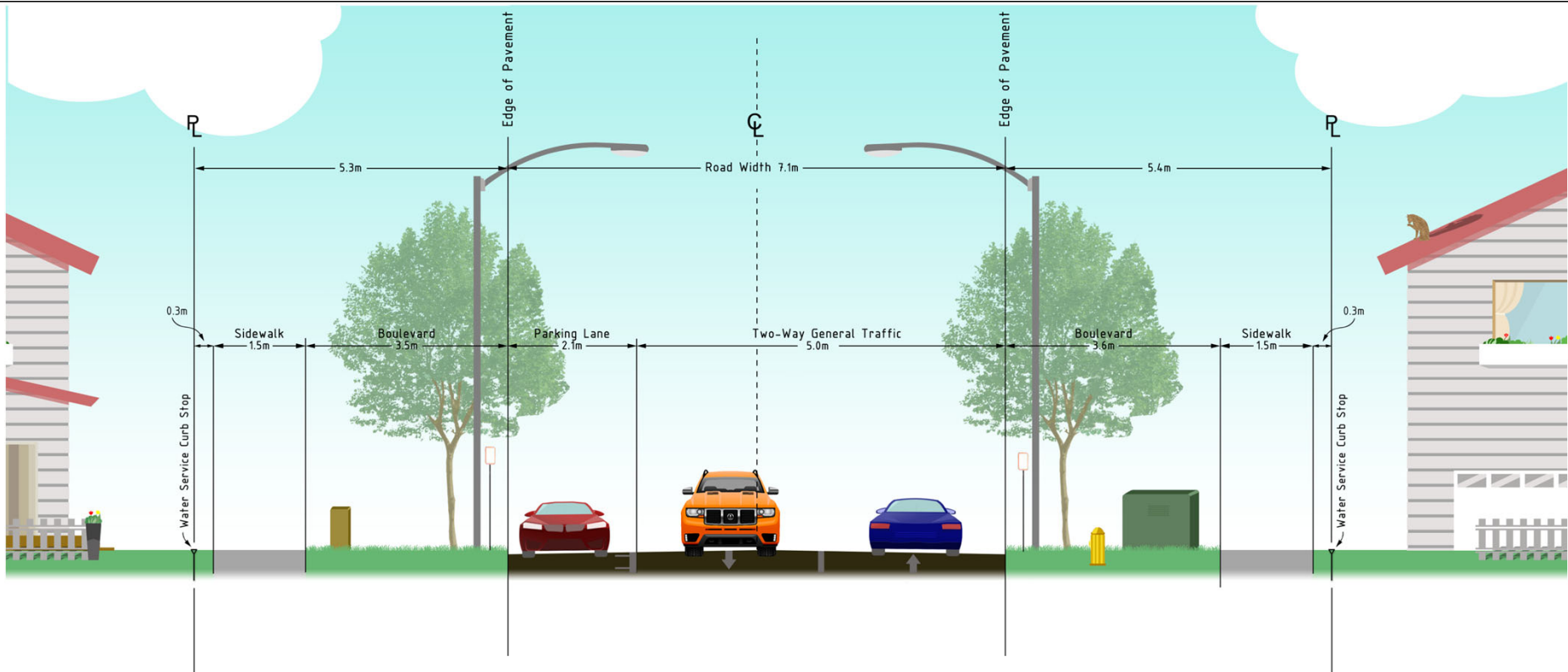
47.4 *Measurement of Payment*

Measurement for payment shall be per number of adjustment units installed or rebuilt.

TYPICAL RIGHT-OF-WAY CROSS-SECTIONS

TYPICAL ROW CROSS-SECTIONS

Drawing No.	Title
G-101	Local Road, 18.5 m ROW Width, 7.8 m Road Width
G-102	Local Road, 18.5 m ROW Width, 10.2 m Road Width
G-103	Minor Collector Road, 24.5 m ROW Width, 12.6 m Road Width
G-104	Minor Collector Road, 24.5 m ROW Width, 15.0 m Road Width
G-105	Major Collector Road, 27.5 m ROW Width, 18.2 m Road Width
G-105B	Major Collector Road, 27.5 m ROW Width, 14.7 m Road Width
G-106	Major Collector Road, 30.5 m ROW Width, 17.4 m Road Width
G-107	Arterial Road, 40.0 m ROW Width, 20.8 m Road Width
G-108	Arterial Road, 40.0 m ROW Width, 22.1 m Road Width
G-109	Laneway 10.0m ROW Width, 5.6m Road Width



CITY OF BRANTFORD
Public Works Commission

Date:

October 2017

Revised:

January 2024

Scale:

N.T.S.

LOCAL ROAD
18.5 M ROW, 8.1 M ROAD WIDTH

Drawn by:

A.L.

Checked by:

L.V.

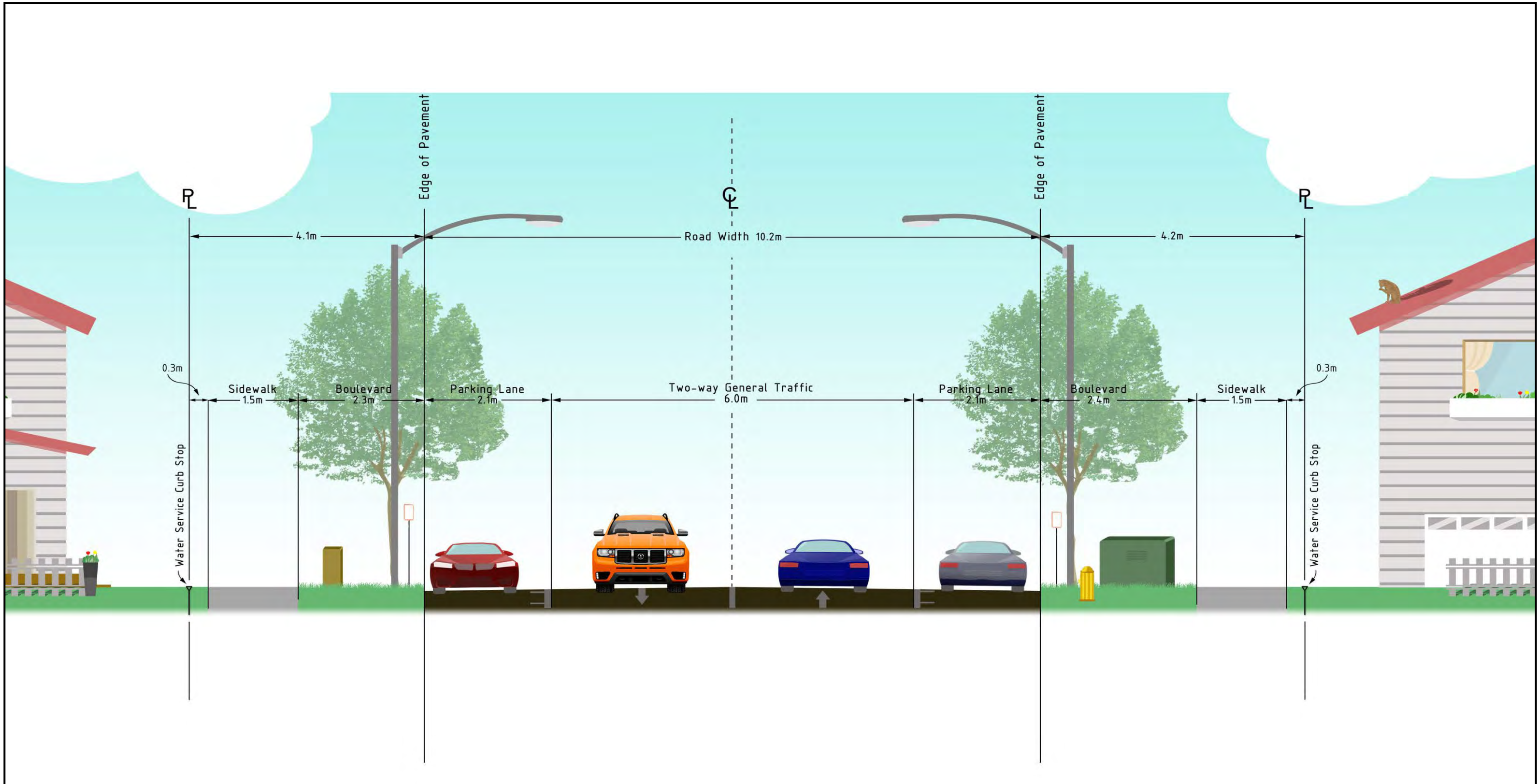
Approved by:

L.V.

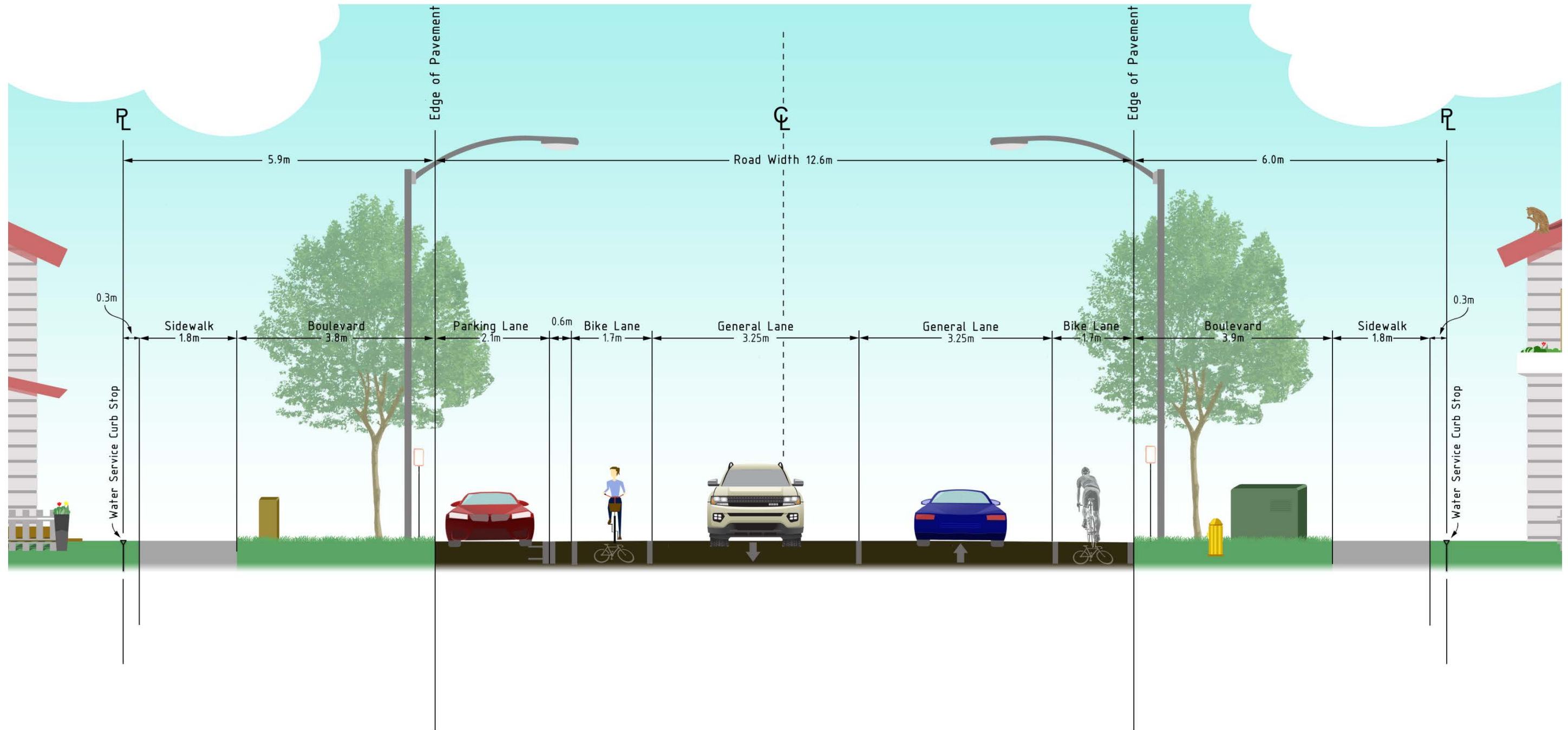
NOTES:

1. Curbs not shown. See Roads Manual for curb, gutter and subdrain standards.
2. Pavement design details not shown. See Roads manual for pavement design standards.
3. Lane markings are shown for information only and do not represent marking requirements. See Roads Manual for pavement marking standards.
4. Road grade and crossfall shall be in accordance with the Roads and Transportation Manual.
5. Sidewalk Grade: minimum of 0.5% and maximum of 8%; Sidewalk Crossfall: minimum of 2% and maximum of 4%.
6. Water service curb stops shall be on the property line. Installation on hard surfaced area, such as driveways and walkways shall be avoided.
7. A minimum clearance of 0.3 m must be maintained between the gas line and the property line.
8. Hydro, telecommunications, gas and street lighting installation details provided in Utilities Manual. If utilities cannot be installed according to this standard, they are to be installed as close as possible to the prescribed location subject to the approval of the City.

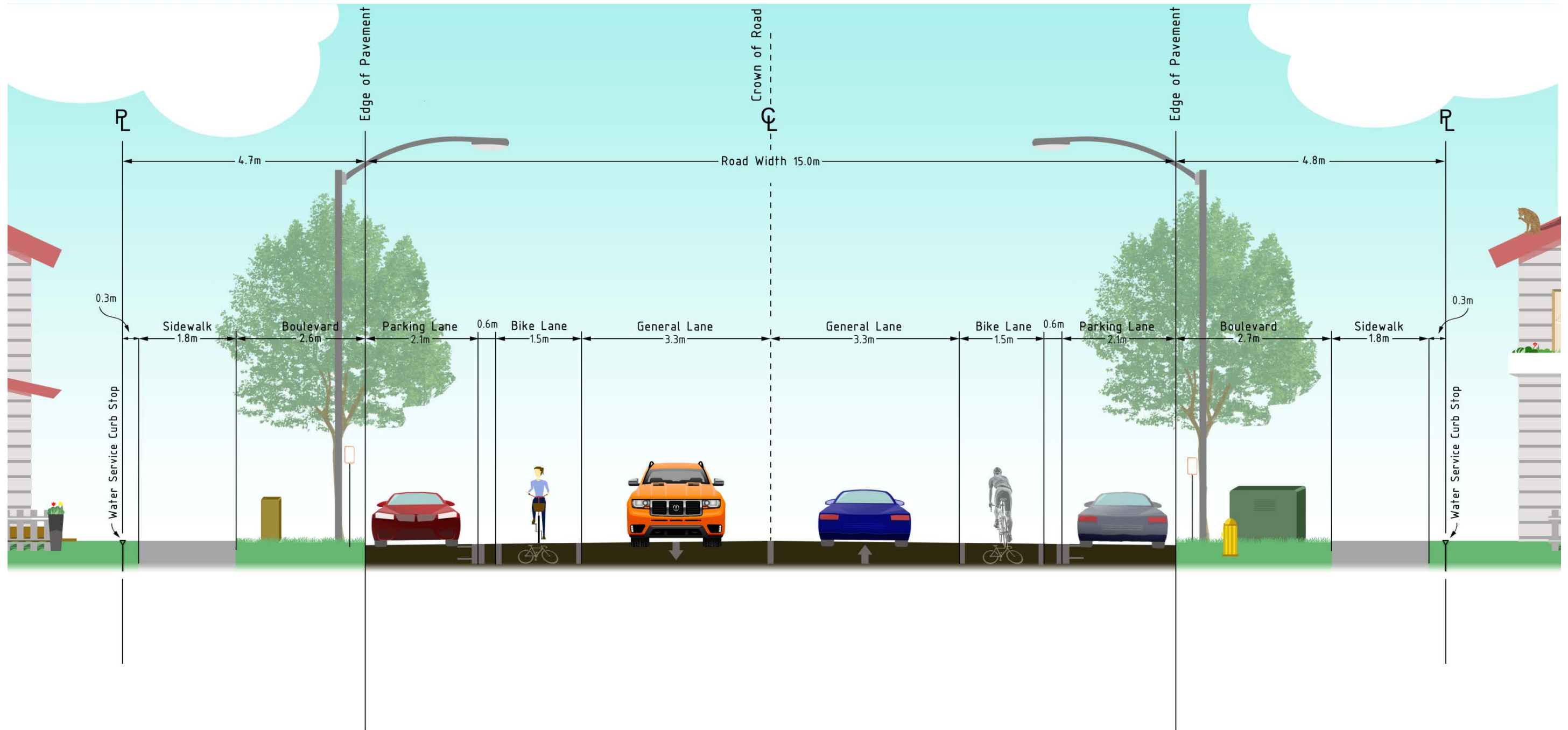
Drawing Number: G-101



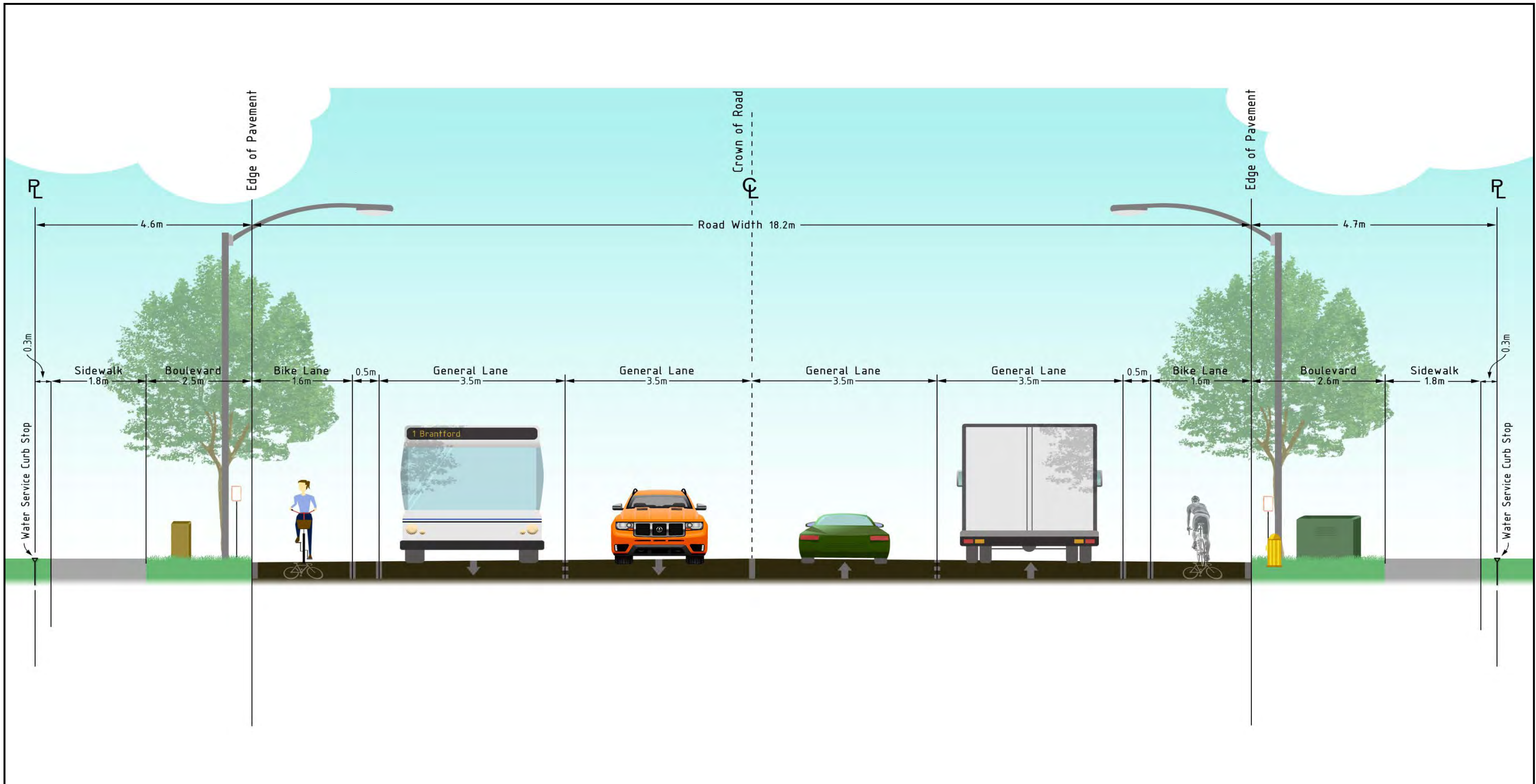
CITY OF BRANTFORD Public Works Commission	Date:	Revised:	Scale:	NOTES: 1. Curbs not shown. See Roads Manual and Detailed Cross-sections for curb, gutter and subdrain standards. 2. Pavement design details not shown. See Roads manual for pavement design standards. 3. Lane markings are shown for information only and do not represent marking requirements. See Roads Manual for pavement marking standards. 4. Road grade and crossfall shall be in accordance with the Roads and Transportation Manual. 5. Sidewalk Grade: minimum of 0.5% and maximum of 5%; Sidewalk Crossfall: minimum of 2% and maximum of 4%. 6. Water service curb stops shall be on the property line. Installation on hard surfaced area, such as driveways and walkways shall be avoided. 7. A minimum clearance of 0.3 m must be maintained between the gas line and the property line.
	October 2017	February 2020	N.T.S.	
LOCAL ROAD 18.5 M ROW, 10.2 M ROAD WIDTH Drawing Number: G-102	Drawn by:	Checked by:	Approved by:	
	A.L.	L.V.	L.V.	



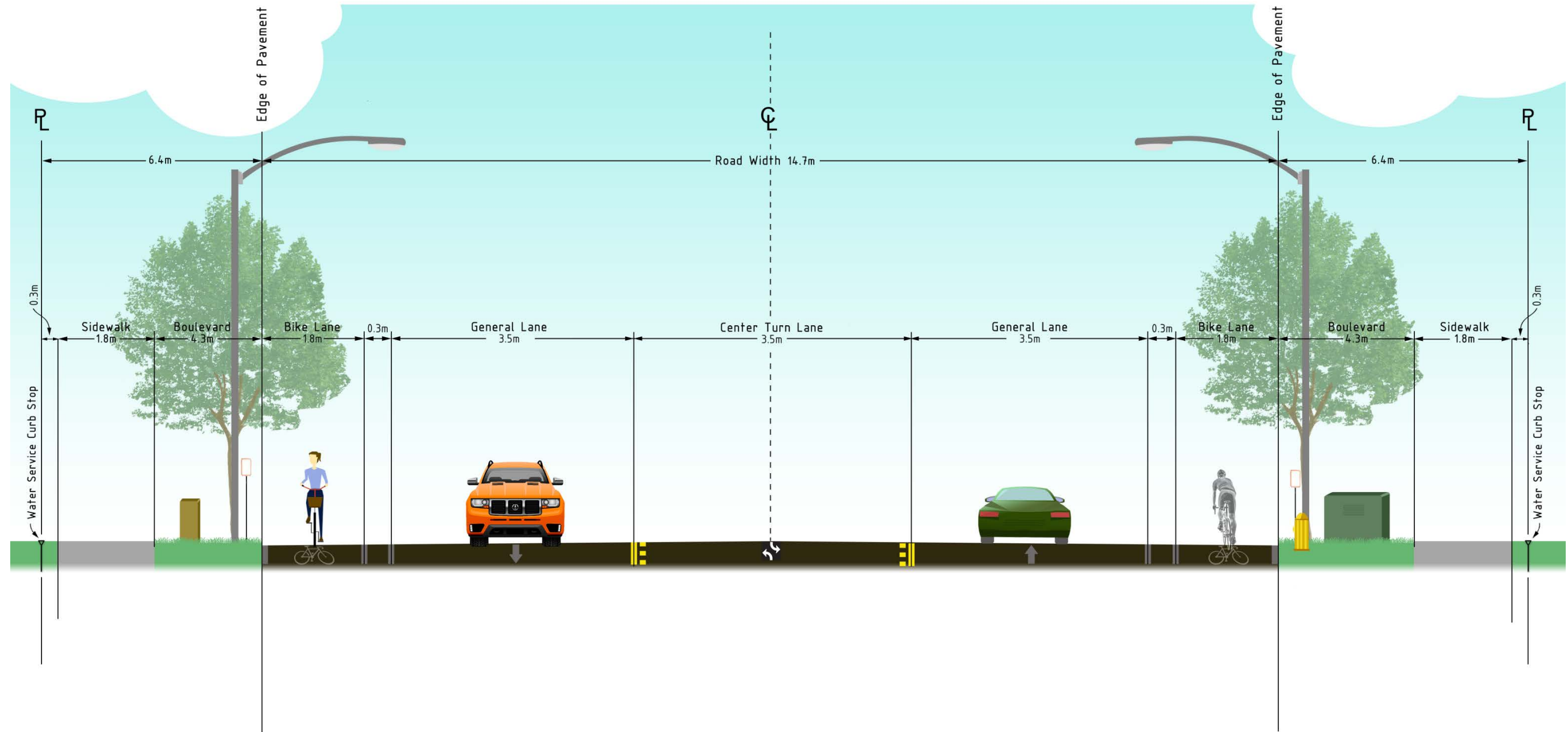
CITY OF BRANTFORD Public Works Commission	Date:	Revised:	Scale:	NOTES: 1. Curbs not shown. See Roads Manual for curb, gutter and subdrain standards. 2. Pavement design details not shown. See Roads manual for pavement design standards. 3. Lane markings are shown for information only and do not represent marking requirements. See Roads Manual for pavement marking standards. 4. Road grade and crossfall shall be in accordance with the Roads and Transportation Manual. 5. Sidewalk Grade: minimum of 0.5% and maximum of 5%; Sidewalk Crossfall: minimum of 2% and maximum of 4%. 6. Water service curb stops shall be on the property line. Installation on hard surfaced area, such as driveways and walkways shall be avoided. 7. A minimum clearance of 0.3 m must be maintained between the gas line and the property line.
	October 2017	December 2022	N.T.S.	
MINOR COLLECTOR 24.5 M ROW, 12.6 M ROAD WIDTH Drawing Number: G-103	Drawn by:	Checked by:	Approved by:	
	A.L.	L.V.	L.V.	



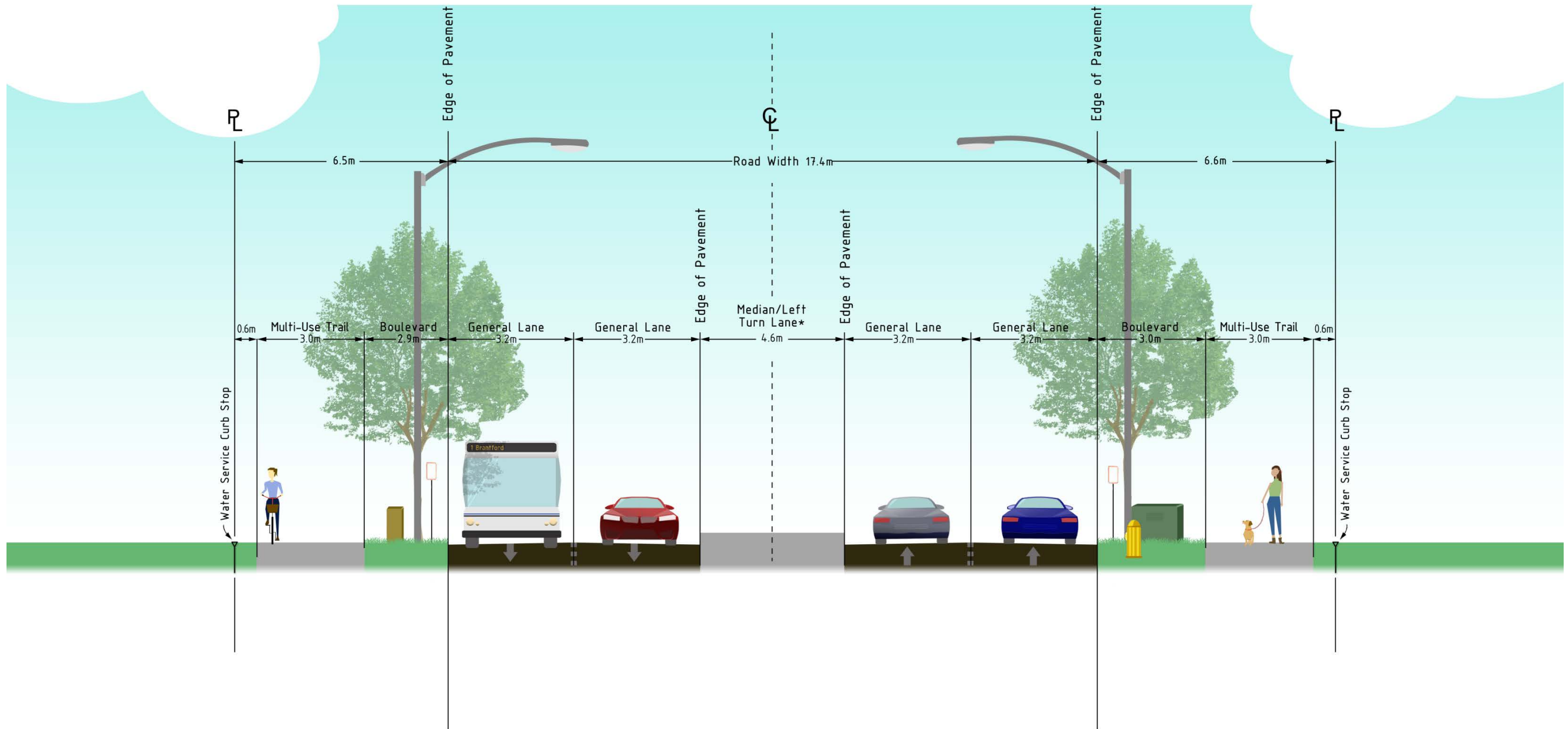
CITY OF BRANTFORD Public Works Commission	Date:	Revised:	Scale:	NOTES: 1. Curbs not shown. See Roads Manual and Detailed Cross-sections for curb, gutter and subdrain standards. 2. Pavement design details not shown. See Roads manual for pavement design standards. 3. Lane markings are shown for information only and do not represent marking requirements. See Roads Manual for pavement marking standards. 4. Road grade and crossfall shall be in accordance with the Roads and Transportation Manual. 5. Sidewalk Grade: minimum of 0.5% and maximum of 5%; Sidewalk Crossfall: minimum of 2% and maximum of 4%. 6. Water service curb stops shall be on the property line. Installation on hard surfaced area, such as driveways and walkways shall be avoided. 7. A minimum clearance of 0.3 m must be maintained between the gas line and the property line.
	October 2017	December 2023	N.T.S.	
MINOR COLLECTOR 24.5 M ROW, 15.0 M ROAD WIDTH Drawing Number: G-104	Drawn by:	Checked by:	Approved by:	
	A.L.	L.V.	L.V.	



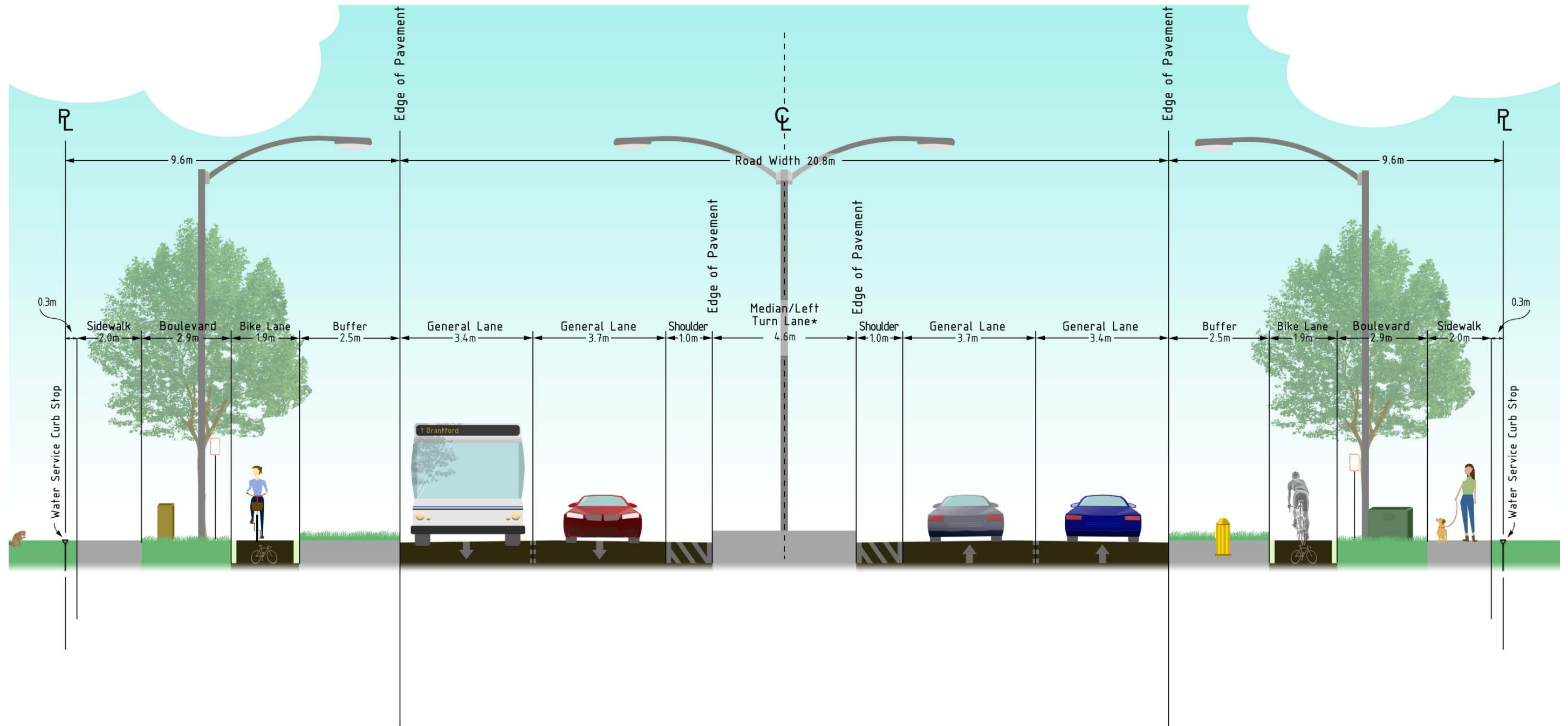
CITY OF BRANTFORD Public Works Commission	Date:	Revised:	Scale:	NOTES: 1. Curbs not shown. See Roads Manual and Detailed Cross-sections for curb, gutter and subdrain standards. 2. Pavement design details not shown. See Roads manual for pavement design standards. 3. Lane markings are shown for information only and do not represent marking requirements. See Roads Manual for pavement marking standards. 4. Road grade and crossfall shall be in accordance with the Roads and Transportation Manual. 5. Sidewalk Grade: minimum of 0.5% and maximum of 5%; Sidewalk Crossfall: minimum of 2% and maximum of 4%. 6. Water service curb stops shall be on the property line. Installation on hard surfaced area, such as driveways and walkways shall be avoided. 7. A minimum clearance of 0.3 m must be maintained between the gas line and the property line.
	October 2017	February 2020	N.T.S.	
MAJOR COLLECTOR 27.5 M ROW, 18.2 M ROAD WIDTH Drawing Number: G-105	Drawn by:	Checked by:	Approved by:	
	A.L.	L.V.	L.V.	



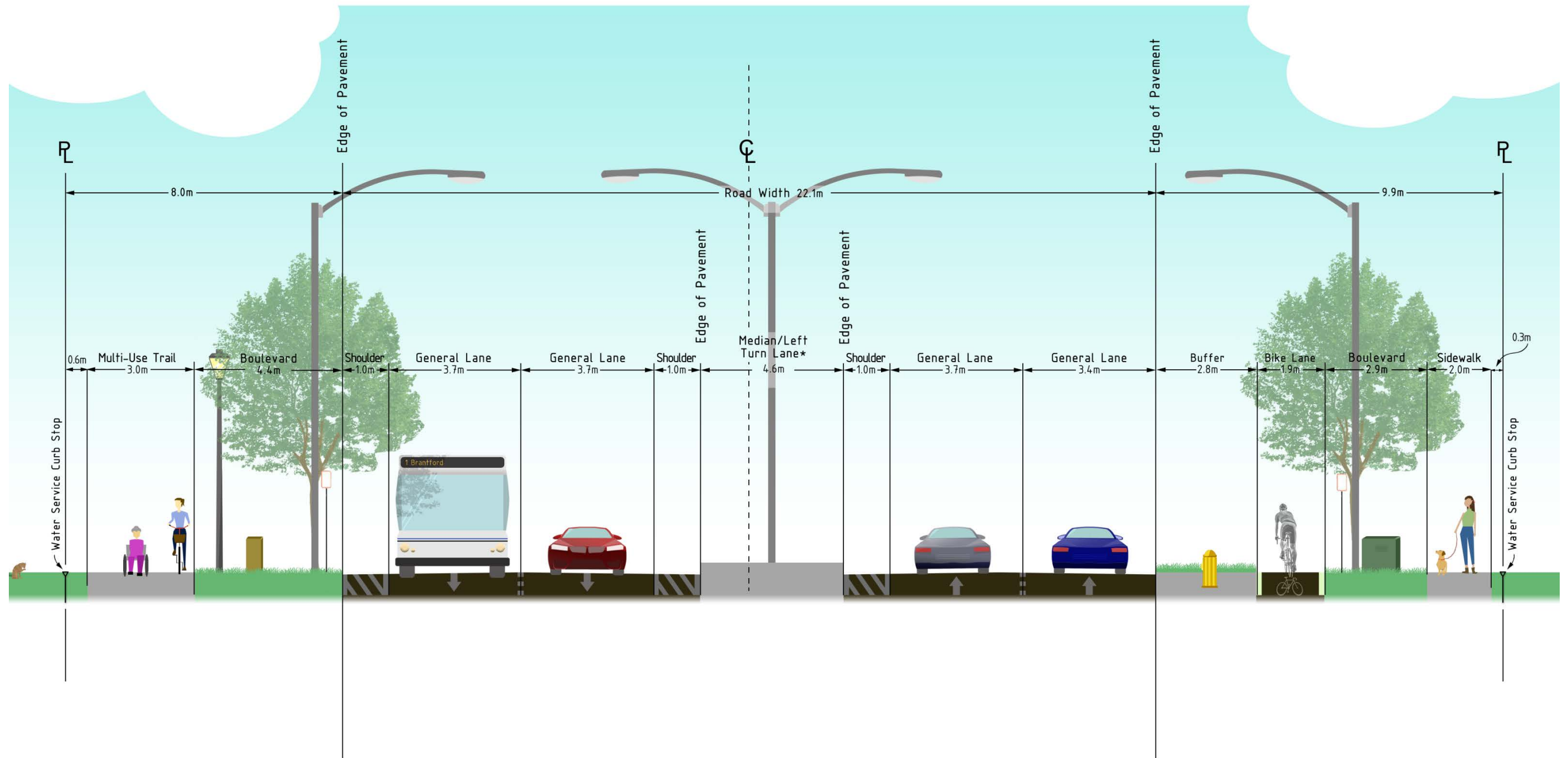
CITY OF BRANTFORD Public Works Commission	Date:	Revised:	Scale:	NOTES: 1. Curbs not shown. See Roads Manual and Detailed Cross-sections for curb, gutter and subdrain standards. 2. Pavement design details not shown. See Roads manual for pavement design standards. 3. Lane markings are shown for information only and do not represent marking requirements. See Roads Manual for pavement marking standards. 4. Road grade and crossfall shall be in accordance with the Roads and Transportation Manual. 5. Sidewalk Grade: minimum of 0.5% and maximum of 5%; Sidewalk Crossfall: minimum of 2% and maximum of 4%. 6. Water service curb stops shall be on the property line. Installation on hard surfaced area, such as driveways and walkways shall be avoided. 7. A minimum clearance of 0.3 m must be maintained between the gas line and the property line.
	December 2022		N.T.S.	
MAJOR COLLECTOR 27.5 M ROW, 14.7 M ROAD WIDTH Drawing Number: G-105B	Drawn by:	Checked by:	Approved by:	
	E.K..			



CITY OF BRANTFORD Public Works Commission	Date:	Revised:	Scale:	NOTES: * This road width is reserved for medians, turning lanes, or other elements and shall be utilized as desired and approved by the City. 1. Curbs not shown. See Roads Manual for curb, gutter and subdrain standards. 2. Pavement design details not shown. See Roads manual for pavement design standards. 3. Lane markings are shown for information only and do not represent marking requirements. See Roads Manual for pavement marking standards. 4. Road grade and crossfall shall be in accordance with the Roads and Transportation Manual. 5. Sidewalk Grade: minimum of 0.5% and maximum of 5%; Sidewalk Crossfall: minimum of 2% and maximum of 4%. 6. Water service curb stops shall be on the property line. Installation on hard surfaced area, such as driveways and walkways shall be avoided. 7. A minimum clearance of 0.3 m must be maintained between the gas line and the property line.
	October 2017	February 2020	N.T.S.	
MAJOR COLLECTOR 30.5 M ROW, 17.4 M ROAD WIDTH Drawing Number: G-106	Drawn by:	Checked by:	Approved by:	
	A.L.	L.V.	L.V.	



CITY OF BRANTFORD Public Works Commission	Date:	Revised:	Scale:	NOTES: * This road width is reserved for medians, turning lanes, or other elements and shall be utilized as desired and approved by the City. 1. Curbs not shown. See Roads Manual for curb, gutter and subdrain standards. 2. Pavement design details not shown. See Roads manual for pavement design standards. 3. Lane markings are shown for information only and do not represent marking requirements. See Roads Manual for pavement marking standards. 4. Road grade and crossfall shall be in accordance with the Roads and Transportation Manual. 5. Sidewalk Grade: minimum of 0.5% and maximum of 5%; Sidewalk Crossfall: minimum of 2% and maximum of 4%. 6. Water service curb stops shall be on the property line. Installation on hard surfaced area, such as driveways and walkways shall be avoided. 7. A minimum clearance of 0.3 m must be maintained between the gas line and the property line.
	October 2017	February 2023	N.T.S.	
ARTERIAL 40.0 M ROW, 20.8 M ROAD WIDTH Drawing Number: G-107	Drawn by:	Checked by:	Approved by:	
	A.L.	L.V.	L.V.	



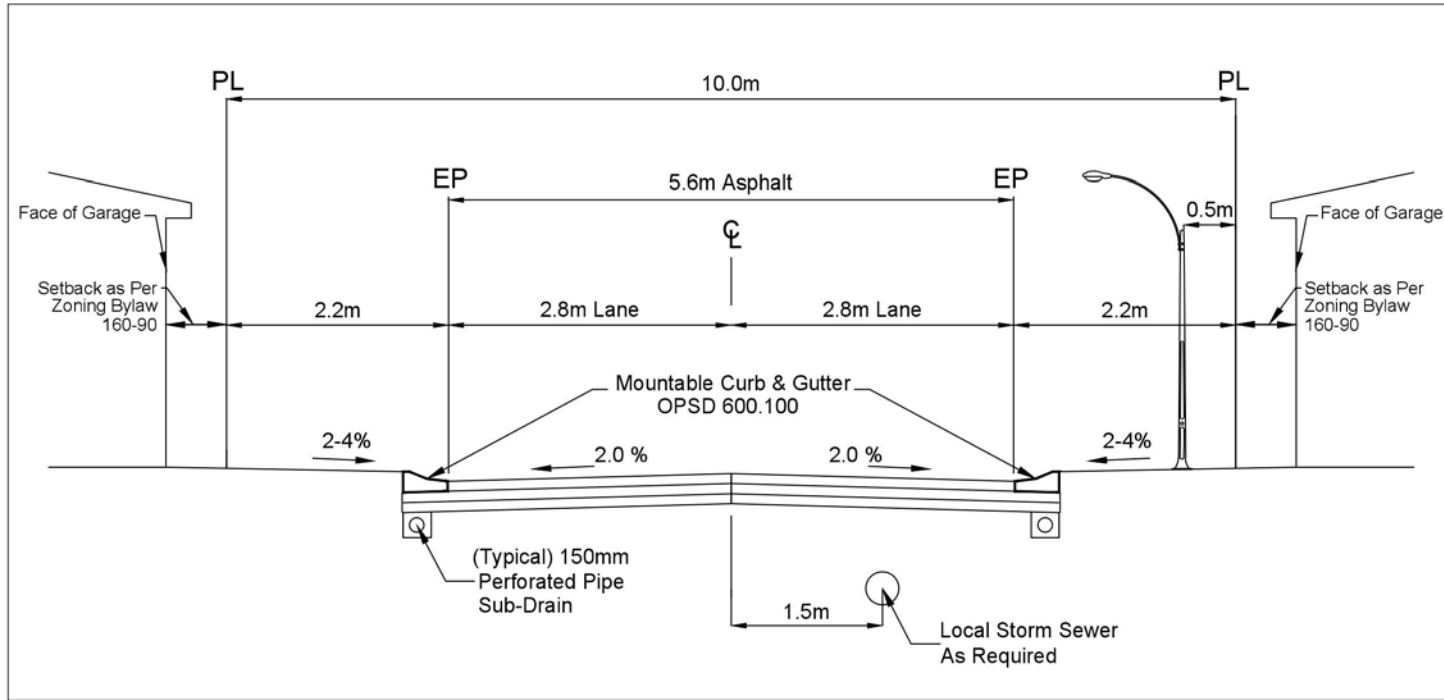
CITY OF BRANTFORD
Public Works Commission

ARTERIAL
40.0 M ROW, 22.1 M ROAD WIDTH

Drawing Number: G-108

Date:	Revised:	Scale:
October 2017	February 2023	N.T.S.
Drawn by:	Checked by:	Approved by:
A.L.	L.V.	L.V.

- NOTES:**
- * This road width is reserved for medians, turning lanes, or other elements and shall be utilized as desired and approved by the City.
 - 1. Curbs not shown. See Roads Manual for curb, gutter and subdrain standards.
 - 2. Pavement design details not shown. See Roads manual for pavement design standards.
 - 3. Lane markings are shown for information only and do not represent marking requirements. See Roads Manual for pavement marking standards.
 - 4. Road grade and crossfall shall be in accordance with the Roads and Transportation Manual.
 - 5. Sidewalk Grade: minimum of 0.5% and maximum of 5%; Sidewalk Crossfall: minimum of 2% and maximum of 4%.
 - 6. Water service curb stops shall be on the property line. Installation on hard surfaced area, such as driveways and walkways shall be avoided.
 - 7. A minimum clearance of 0.3 m must be maintained between the gas line and the property line.
 - 8. Location of pedestrian and cycling facilities are shown as typical options for an arterial roadway.



CITY OF BRANTFORD
Public Works Commission

Date:

November 2018

Revised:

Drawn by:

R.M

Scale:

1:75

Checked by:

Approved by:

Notes:

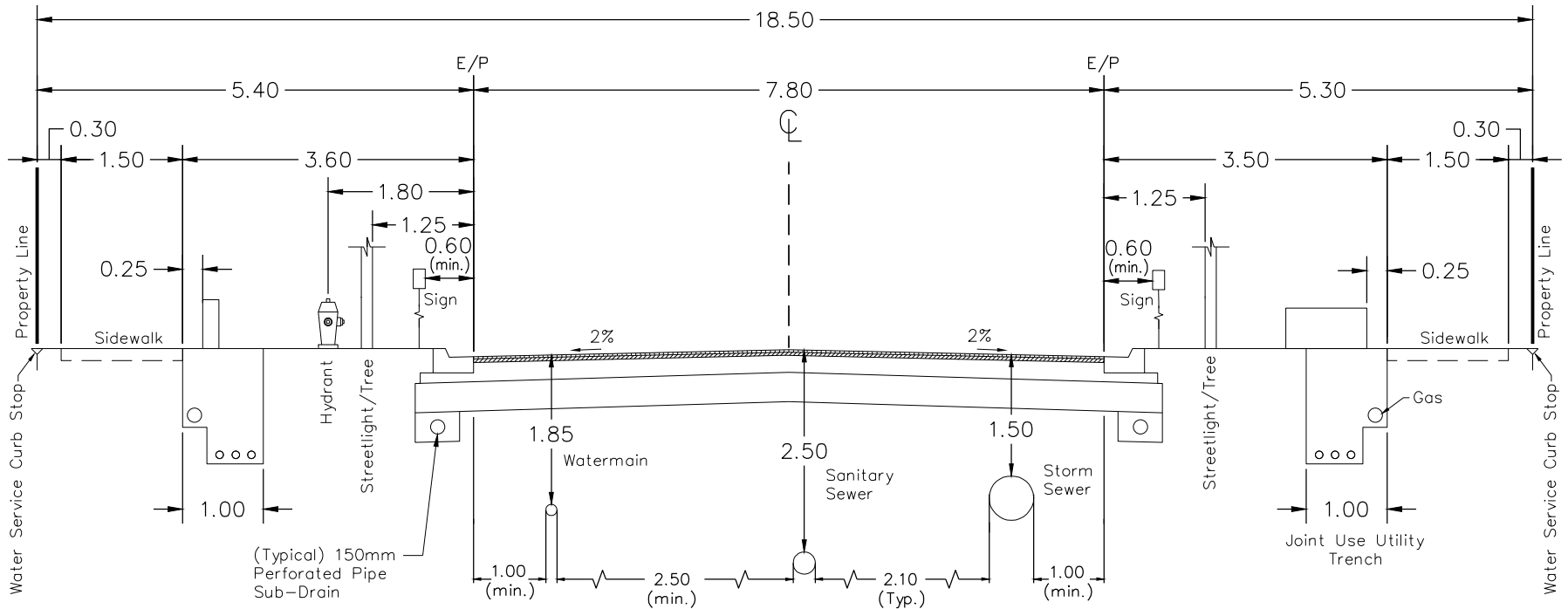
1. No above ground utility pedestals shall be located within the laneway corridor

Rear Laneway G-109
10.0 M ROW, 5.6 M ROAD WIDTH

DETAILED ENGINEERED CROSS-SECTIONS

DETAILED ENGINEERED CROSS-SECTIONS

Drawing No.	Title
H-101	Local Road, 18.5 m ROW Width, 7.8 m Road Width
H-102	Local Road, 18.5 m ROW Width, 10.2 m Road Width
H-102B	Local Road, 20.0 m ROW Width, 10.2 m Road Width
H-103	Minor Collector Road, 24.5 m ROW Width, 12.6 m Road Width
H-104	Minor Collector Road, 24.5 m ROW Width, 15.0 m Road Width
H-105	Major Collector Road, 27.5 m ROW Width, 18.2 m Road Width
H-105B	Major Collector Road, 27.5 m ROW Width, 14.7 m Road Width
H-106	Major Collector Road, 30.5 m ROW Width, 17.4 m Road Width
H-107	Arterial Road, 40.0 m ROW Width, 20.8 m Road Width
H-108	Arterial Road, 40.0 m ROW Width, 22.1 m Road Width
H-109	Industrial Minor Collector Road, 27.5 m ROW Width, 10.0 m Road Width

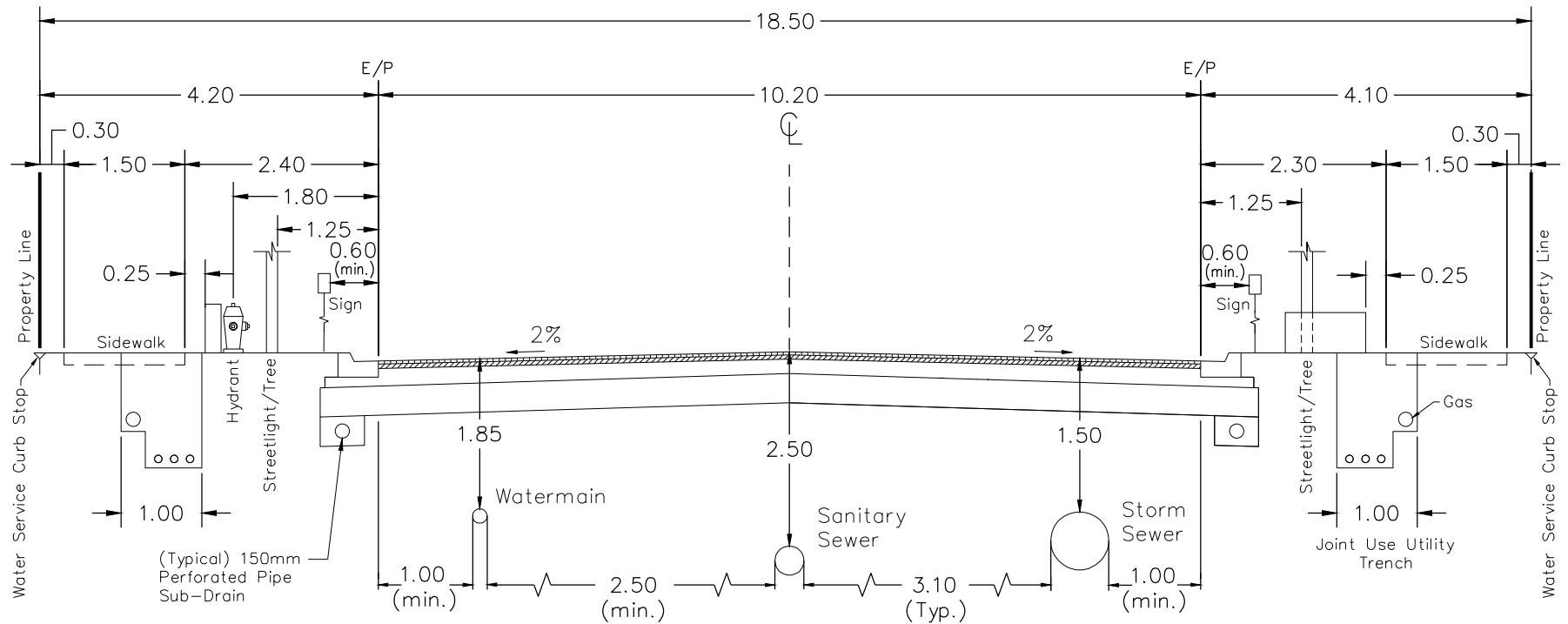


DETAILED SECTION – LOCAL STREET

N.T.S.

- NOTE: 1) All dimensions are in metres unless otherwise shown.
 2) Curb and gutter to meet O.P.S.D. or City of Brantford detail drawing RD-104 for two-stage curb construction in accordance with project drawings
 3) Road grade and crossfall shall be in accordance with the Design and Construction Manual.
 4) Sidewalk Grade: minimum of 0.5% and maximum of 5%; Sidewalk Crossfall: minimum of 2% and maximum of 4%.
 5) Water service curb stops shall be on the property line. Installation on hard surfaced area, such as driveways and walkways shall be avoided.
 6) Refer to Standard Detail Drawing UT-105 for Joint Use Utility Trench.
 7) A minimum clearance of 0.3 m must be maintained between the gas line and the property line.
 8) If utilities cannot be installed according to this standard, they are to be installed as close as possible to the prescribed location subject to the approval of the City.
 9) Spacing between streetlights and trees should be sufficient to ensure no interference between tree canopy and lighting fixture.

CITY OF BRANTFORD	
DETAILED SECTION LOCAL STREET (18.5m ROW 7.8m ROAD WIDTH)	
DATE: FEB. 2020 REV: JAN. 2022 DRAWN BY: E.K.	H-101



DETAILED SECTION – LOCAL STREET

N.T.S.

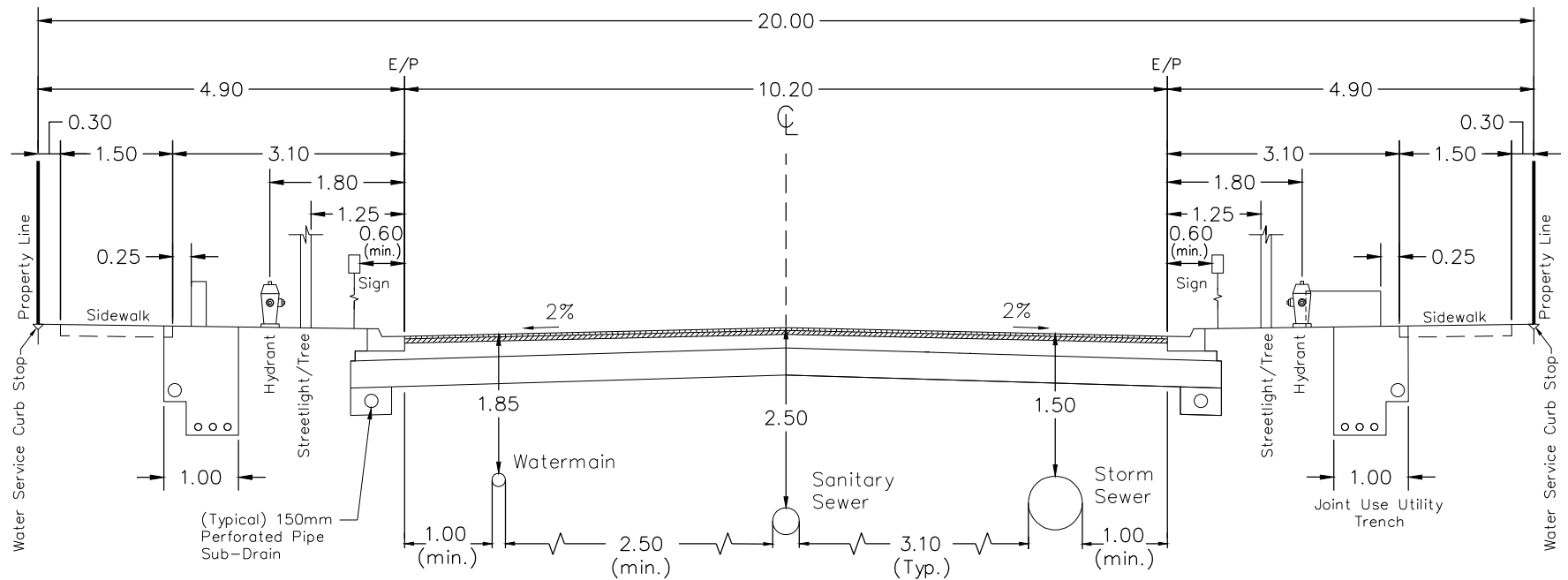
- NOTE: 1) All dimensions are in metres unless otherwise shown.
 2) Curb and gutter to meet O.P.S.D. or City of Brantford detail drawing RD-104 for two-stage curb construction in accordance with project drawings
 3) Road grade and crossfall shall be in accordance with the Design and Construction Manual.
 4) Sidewalk Grade: minimum of 0.5% and maximum of 5%; Sidewalk Crossfall: minimum of 2% and maximum of 4%.
 5) Water service curb stops shall be on the property line. Installation on hard surfaced area, such as driveways and walkways shall be avoided.
 6) Refer to Standard Detail Drawing UT-105 for Joint Use Utility Trench.
 7) A minimum clearance of 0.3 m must be maintained between the gas line and the property line.
 8) If utilities cannot be installed according to this standard, they are to be installed as close as possible to the prescribed location subject to the approval of the City.
 9) Spacing between streetlights and trees should be sufficient to ensure no interference between tree canopy and lighting fixture.

CITY OF BRANTFORD

DETAILED SECTION
 LOCAL STREET
 (18.5m ROW 10.2m ROAD WIDTH)

DATE: FEB. 2020
 REV: JAN. 2022
 DRAWN BY: E.K.

H-102



DETAILED SECTION – LOCAL STREET

N.T.S.

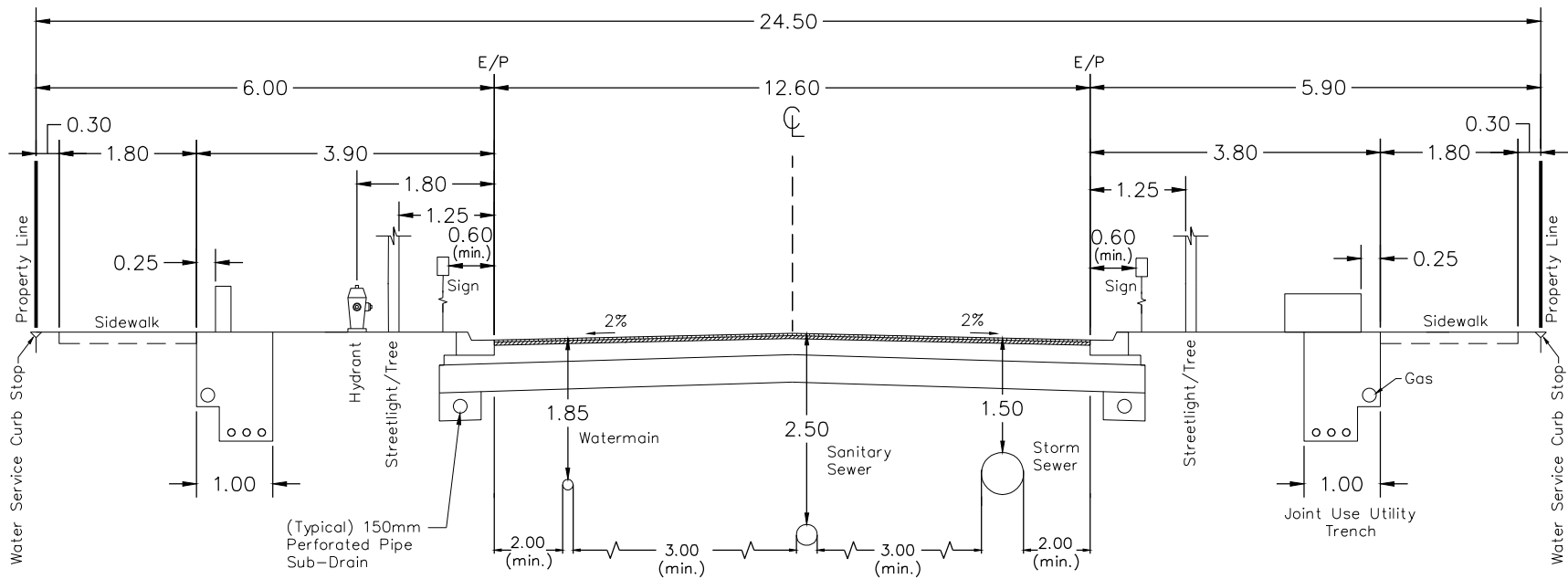
- NOTE: 1) All dimensions are in metres unless otherwise shown.
 2) Curb and gutter to meet O.P.S.D. or City of Brantford detail drawing RD-104 for two-stage curb construction in accordance with project drawings
 3) Road grade and crossfall shall be in accordance with the Design and Construction Manual.
 4) Sidewalk Grade: minimum of 0.5% and maximum of 5%; Sidewalk Crossfall: minimum of 2% and maximum of 4%.
 5) Water service curb stops shall be on the property line. Installation on hard surfaced area, such as driveways and walkways shall be avoided.
 6) Refer to Standard Detail Drawing UT-105 for Joint Use Utility Trench.
 7) A minimum clearance of 0.3 m must be maintained between the gas line and the property line.
 8) If utilities cannot be installed according to this standard, they are to be installed as close as possible to the prescribed location subject to the approval of the City.
 9) Spacing between streetlights and trees should be sufficient to ensure no interference between tree canopy and lighting fixture.

CITY OF BRANTFORD

DETAILED SECTION
 LOCAL STREET
 (20.0m ROW 10.2m ROAD WIDTH)

DATE: FEB. 2020
 REV: JAN. 2022
 DRAWN BY: E.K.

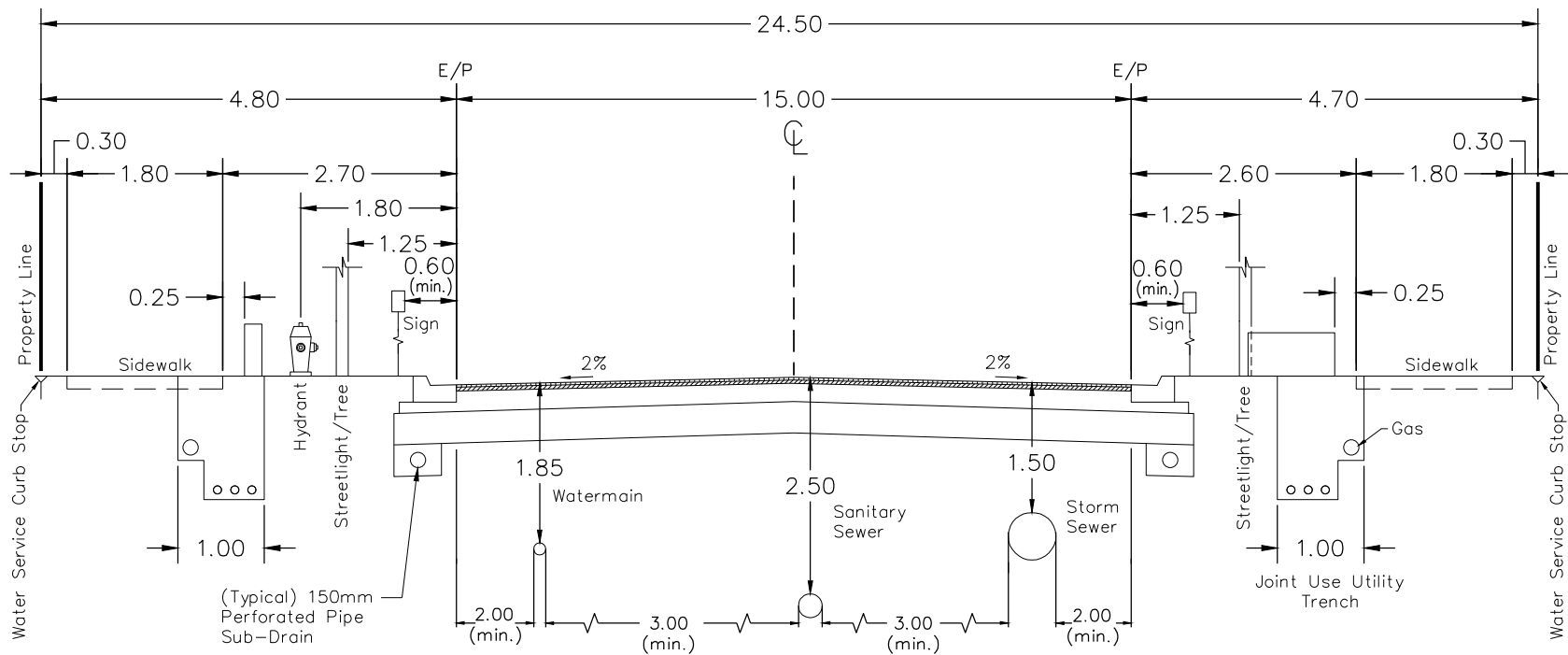
H-102B



DETAILED SECTION – MINOR COLLECTOR
N.T.S.

- NOTE: 1) All dimensions are in metres unless otherwise shown.
 2) Curb and gutter to meet O.P.S.D. or City of Brantford detail drawing RD-104 for two-stage curb construction in accordance with project drawings
 3) Road grade and crossfall shall be in accordance with the Design and Construction Manual.
 4) Sidewalk Grade: minimum of 0.5% and maximum of 5%; Sidewalk Crossfall: minimum of 2% and maximum of 4%.
 5) Water service curb stops shall be on the property line. Installation on hard surfaced area, such as driveways and walkways shall be avoided.
 6) Refer to Standard Detail Drawing UT-105 for Joint Use Utility Trench.
 7) A minimum clearance of 0.3 m must be maintained between the gas line and the property line.
 8) If utilities cannot be installed according to this standard, they are to be installed as close as possible to the prescribed location subject to the approval of the City.
 9) Spacing between streetlights and trees should be sufficient to ensure no interference between tree canopy and lighting fixture.

CITY OF BRANTFORD	
DETAILED SECTION MINOR COLLECTOR (24.5m ROW 12.6m ROAD WIDTH)	
DATE: FEB. 2020	H-103
REV: JAN. 2022	
DRAWN BY: E.K.	



DETAILED SECTION – MINOR COLLECTOR

N.T.S.

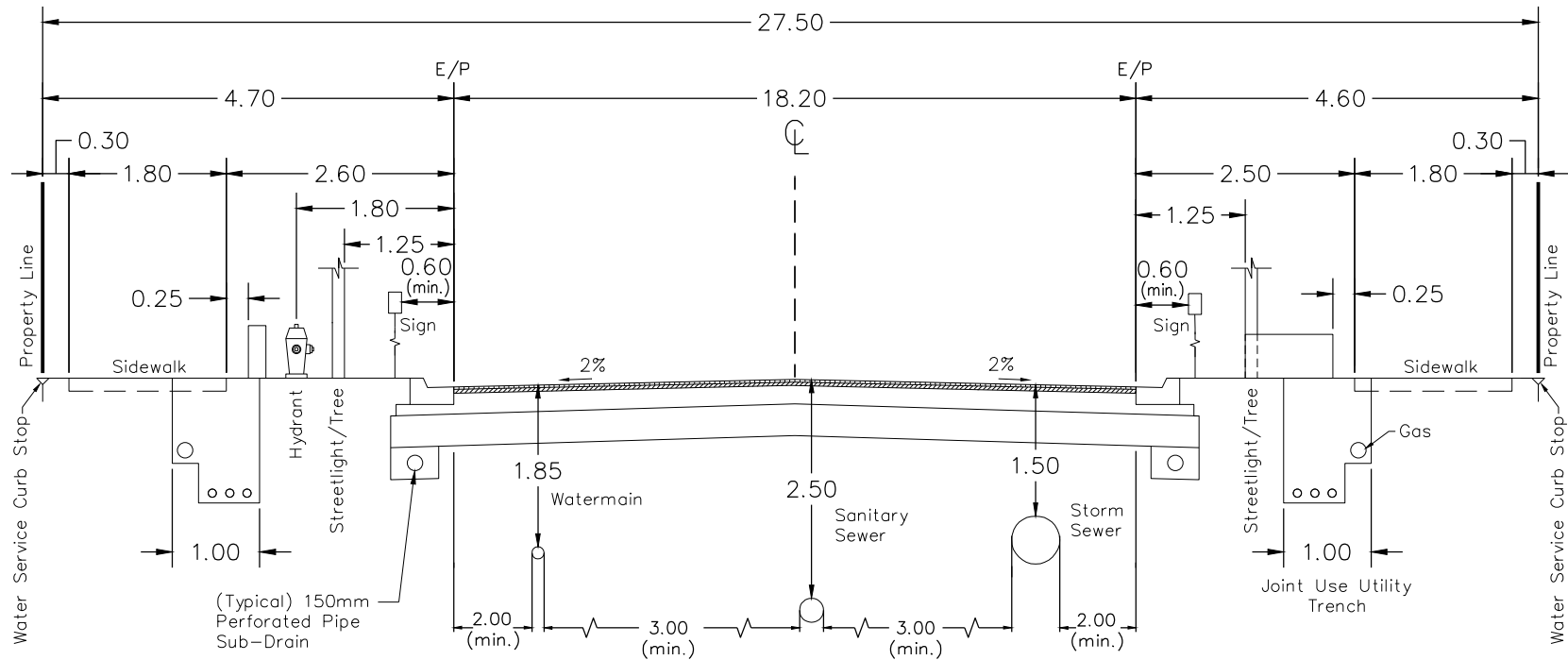
- NOTE: 1) All dimensions are in metres unless otherwise shown.
 2) Curb and gutter to meet O.P.S.D. or City of Brantford detail drawing RD-104 for two-stage curb construction in accordance with project drawings
 3) Road grade and crossfall shall be in accordance with the Design and Construction Manual.
 4) Sidewalk Grade: minimum of 0.5% and maximum of 5%; Sidewalk Crossfall: minimum of 2% and maximum of 4%.
 5) Water service curb stops shall be on the property line. Installation on hard surfaced area, such as driveways and walkways shall be avoided.
 6) Refer to Standard Detail Drawing UT-105 for Joint Use Utility Trench.
 7) A minimum clearance of 0.3 m must be maintained between the gas line and the property line.
 8) If utilities cannot be installed according to this standard, they are to be installed as close as possible to the prescribed location subject to the approval of the City.
 9) Spacing between streetlights and trees should be sufficient to ensure no interference between tree canopy and lighting fixture.

CITY OF BRANTFORD

DETAILED SECTION
 MINOR COLLECTOR
 (24.5m ROW 15.0m ROAD WIDTH)

DATE: FEB. 2020
 REV: JAN. 2022
 DRAWN BY: E.K.

H-104



DETAILED SECTION – MAJOR COLLECTOR
N.T.S.

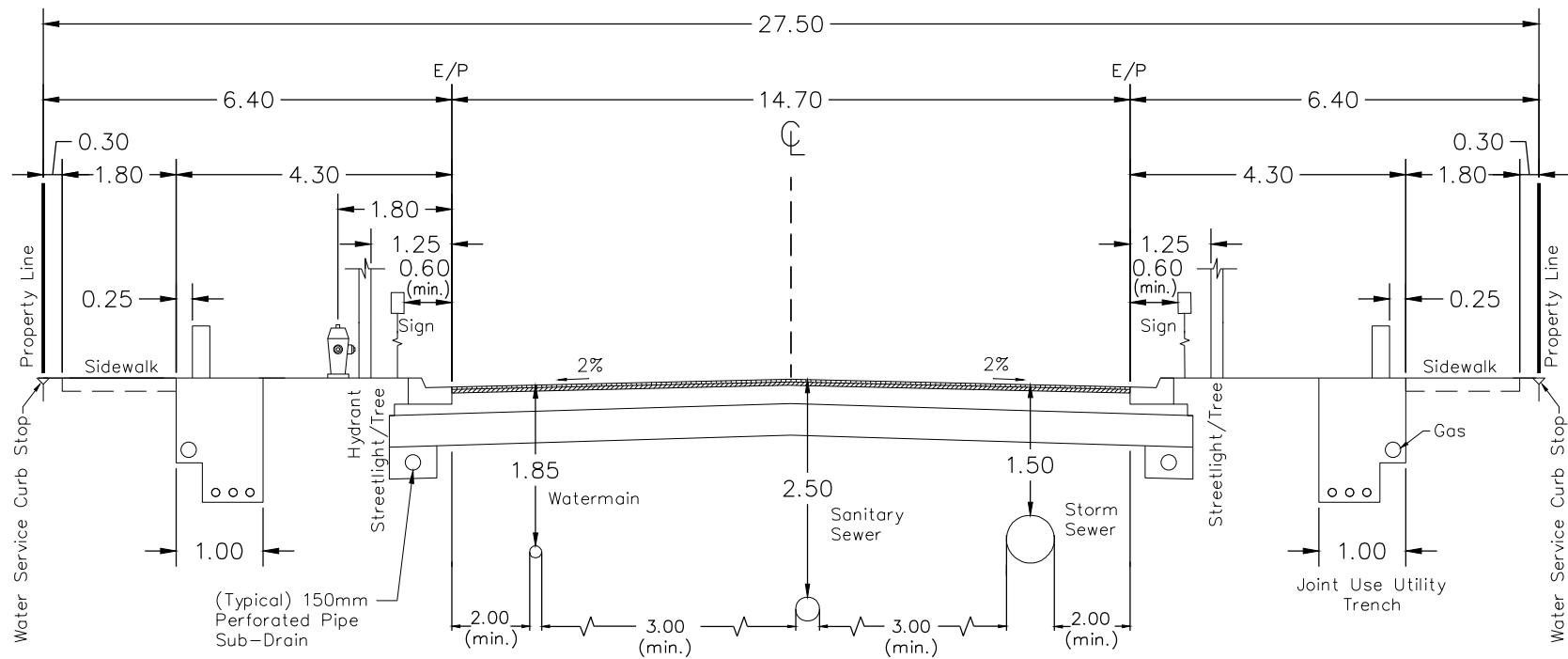
- NOTE: 1) All dimensions are in metres unless otherwise shown.
 2) Curb and gutter to meet O.P.S.D. or City of Brantford detail drawing RD-104 for two-stage curb construction in accordance with project drawings
 3) Road grade and crossfall shall be in accordance with the Design and Construction Manual.
 4) Sidewalk Grade: minimum of 0.5% and maximum of 5%; Sidewalk Crossfall: minimum of 2% and maximum of 4%.
 5) Water service curb stops shall be on the property line. Installation on hard surfaced area, such as driveways and walkways shall be avoided.
 6) Refer to Standard Detail Drawing UT-105 for Joint Use Utility Trench.
 7) A minimum clearance of 0.3 m must be maintained between the gas line and the property line.
 8) If utilities cannot be installed according to this standard, they are to be installed as close as possible to the prescribed location subject to the approval of the City.
 9) Spacing between streetlights and trees should be sufficient to ensure no interference between tree canopy and lighting fixture.

CITY OF BRANTFORD

DETAILED SECTION
MAJOR COLLECTOR
(27.5m ROW 18.2m ROAD WIDTH)

DATE: FEB. 2020
 REV: JAN. 2022
 DRAWN BY: E.K.

H-105



DETAILED SECTION – MAJOR COLLECTOR
N.T.S.

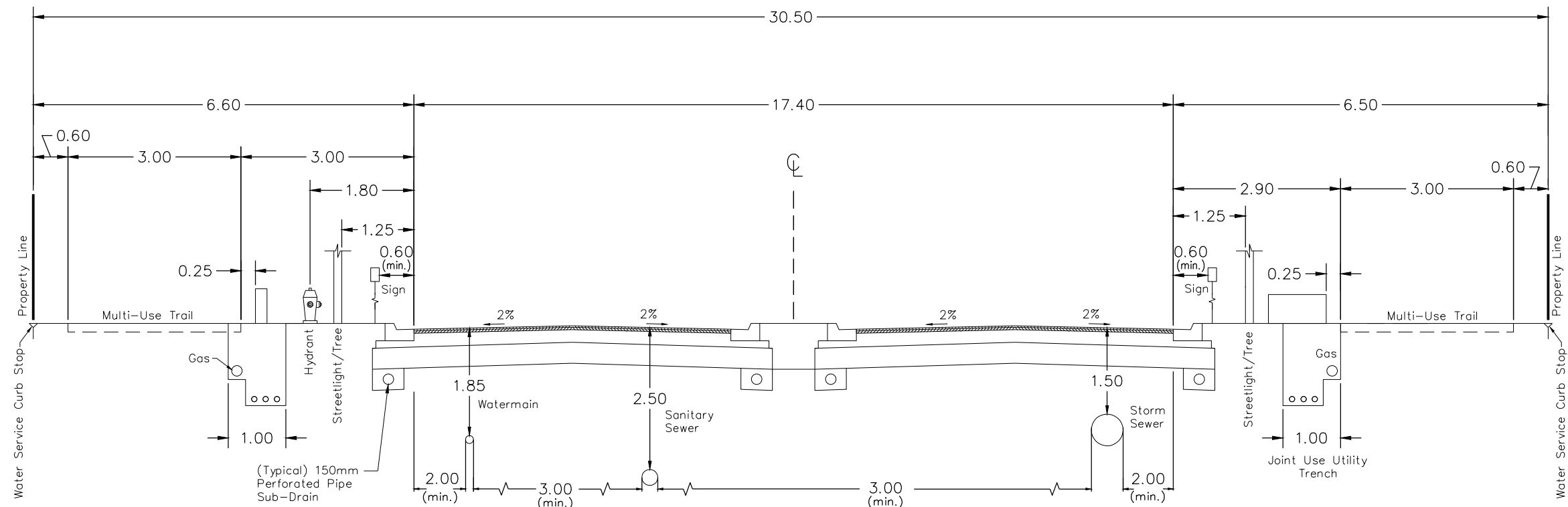
- NOTE: 1) All dimensions are in metres unless otherwise shown.
 2) Curb and gutter to meet O.P.S.D. or City of Brantford detail drawing RD-104 for two-stage curb construction in accordance with project drawings
 3) Road grade and crossfall shall be in accordance with the Design and Construction Manual.
 4) Sidewalk Grade: minimum of 0.5% and maximum of 5%; Sidewalk Crossfall: minimum of 2% and maximum of 4%.
 5) Water service curb stops shall be on the property line. Installation on hard surfaced area, such as driveways and walkways shall be avoided.
 6) Refer to Standard Detail Drawing UT-105 for Joint Use Utility Trench.
 7) A minimum clearance of 0.3 m must be maintained between the gas line and the property line.
 8) If utilities cannot be installed according to this standard, they are to be installed as close as possible to the prescribed location subject to the approval of the City.
 9) Spacing between streetlights and trees should be sufficient to ensure no interference between tree canopy and lighting fixture.

CITY OF BRANTFORD

DETAILED SECTION
 MAJOR COLLECTOR
 (27.5m ROW 14.7m ROAD WIDTH)

DATE: FEB. 2023
 REV:
 DRAWN BY: E.K.

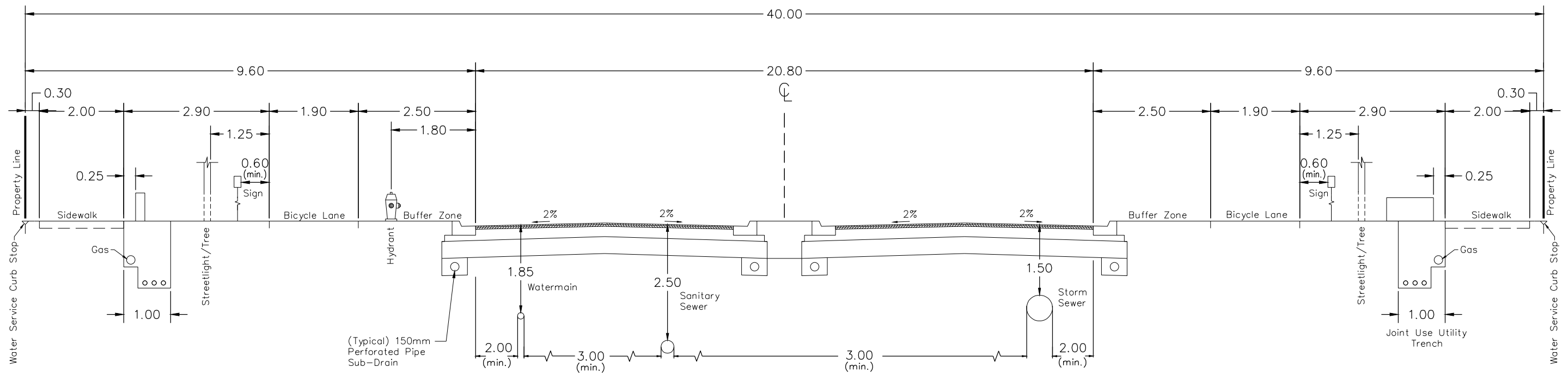
H-105B



DETAILED SECTION – MAJOR COLLECTOR
N.T.S.

- NOTE: 1) All dimensions are in metres unless otherwise shown.
 2) Curb and gutter to meet O.P.S.D. or City of Brantford detail drawing RD-104 for two-stage curb construction in accordance with project drawings
 3) Road grade and crossfall shall be in accordance with the Design and Construction Manual.
 4) Sidewalk Grade: minimum of 0.5% and maximum of 5%; Sidewalk Crossfall: minimum of 2% and maximum of 4%.
 5) Water service curb stops shall be on the property line. Installation on hard surfaced area, such as driveways and walkways shall be avoided.
 6) Refer to Standard Detail Drawing UT-105 for Joint Use Utility Trench.
 7) A minimum clearance of 0.3 m must be maintained between the gas line and the property line.
 8) If utilities cannot be installed according to this standard, they are to be installed as close as possible to the prescribed location subject to the approval of the City.
 9) Spacing between streetlights and trees should be sufficient to ensure no interference between tree canopy and lighting fixture.

CITY OF BRANTFORD	
DETAILED SECTION MAJOR COLLECTOR (30.5m ROW 17.4m ROAD WIDTH)	
DATE: FEB. 2020 REV: JAN. 2022 DRAWN BY: E.K.	H-106



DETAILED SECTION – ARTERIAL

N.T.S.

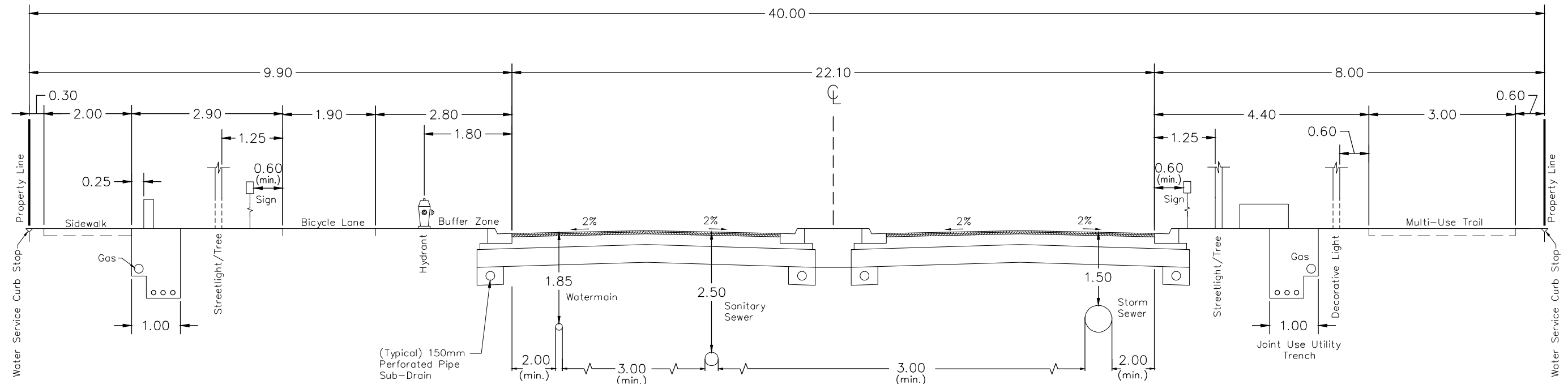
- NOTE: 1) All dimensions are in metres unless otherwise shown.
 2) Curb and gutter to meet O.P.S.D. or City of Brantford detail drawing RD-104 for two-stage curb construction in accordance with project drawings
 3) Road grade and crossfall shall be in accordance with the Design and Construction Manual.
 4) Sidewalk Grade: minimum of 0.5% and maximum of 5%; Sidewalk Crossfall: minimum of 2% and maximum of 4%.
 5) Water service curb stops shall be on the property line. Installation on hard surfaced area, such as driveways and walkways shall be avoided.
 6) Refer to Standard Detail Drawing UT-105 for Joint Use Utility Trench.
 7) A minimum clearance of 0.3 m must be maintained between the gas line and the property line.
 8) If utilities cannot be installed according to this standard, they are to be installed as close as possible to the prescribed location subject to the approval of the City.
 9) Spacing between streetlights and trees should be sufficient to ensure no interference between tree canopy and lighting fixture.
 10) Preferred sidewalk width = 2.0 m, minimum width = 1.8 m for arterial road.

CITY OF BRANTFORD

DETAILED SECTION
 ARTERIAL
 (40.0m ROW 20.8m ROAD WIDTH)

DATE: FEB. 2020
 REV: FEB. 2023
 DRAWN BY: E.K.

H-107



DETAILED SECTION – ARTERIAL

N.T.S.

- NOTE: 1) All dimensions are in metres unless otherwise shown.
 2) Curb and gutter to meet O.P.S.D. or City of Brantford detail drawing RD-104 for two-stage curb construction in accordance with project drawings
 3) Road grade and crossfall shall be in accordance with the Design and Construction Manual.
 4) Sidewalk Grade: minimum of 0.5% and maximum of 5%; Sidewalk Crossfall: minimum of 2% and maximum of 4%.
 5) Water service curb stops shall be on the property line. Installation on hard surfaced area, such as driveways and walkways shall be avoided.
 6) Refer to Standard Detail Drawing UT-105 for Joint Use Utility Trench.
 7) A minimum clearance of 0.3 m must be maintained between the gas line and the property line.
 8) If utilities cannot be installed according to this standard, they are to be installed as close as possible to the prescribed location subject to the approval of the City.
 9) Spacing between streetlights and trees should be sufficient to ensure no interference between tree canopy and lighting fixture.
 10) Preferred sidewalk width = 2.0 m, minimum width = 1.8 m for arterial road.

CITY OF BRANTFORD

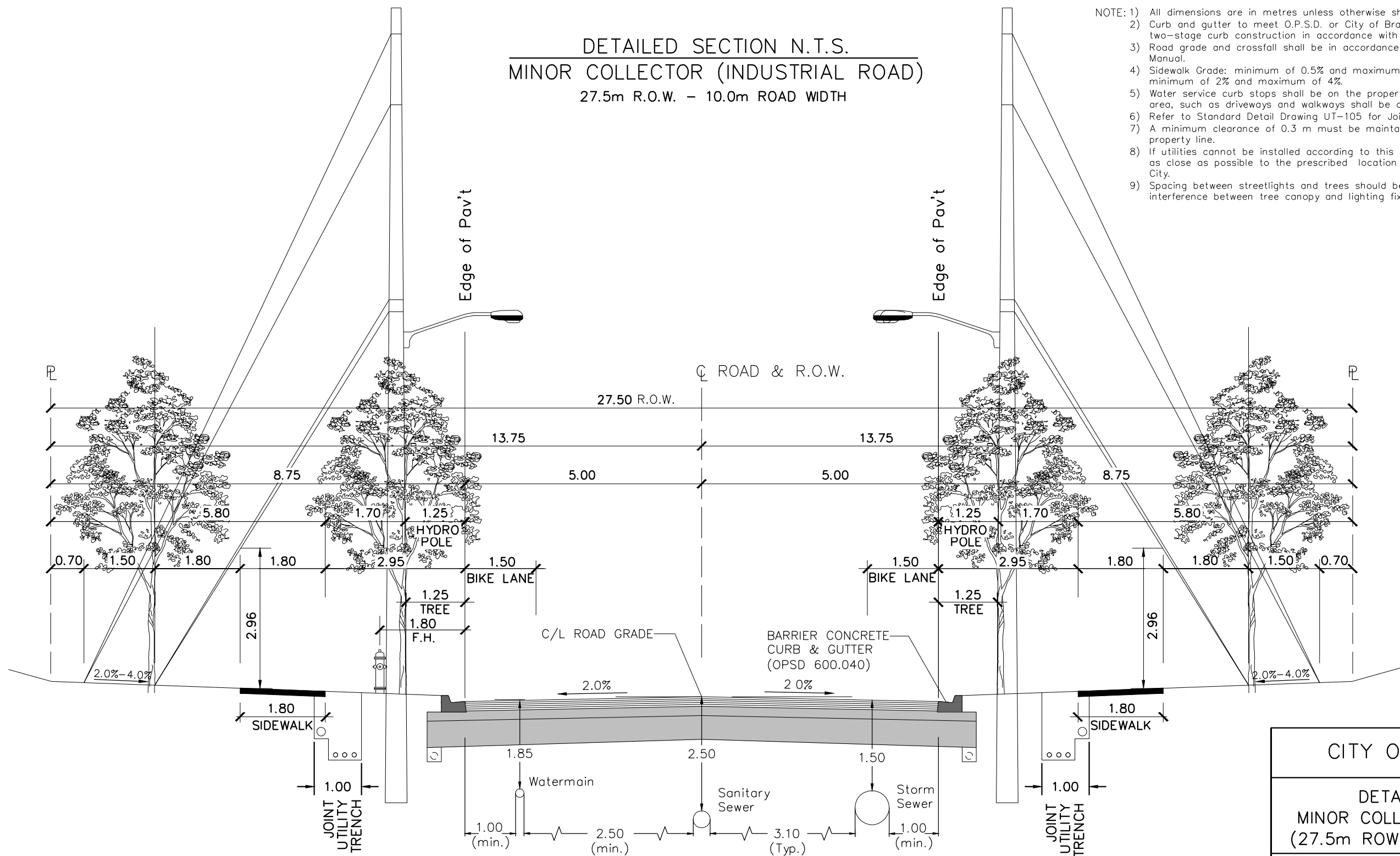
DETAILED SECTION
 ARTERIAL
 (40.0m ROW 22.1m ROAD WIDTH)

DATE: FEB. 2020
 REV: FEB. 2023
 DRAWN BY: E.K.

H-108

DETAILED SECTION N.T.S.
MINOR COLLECTOR (INDUSTRIAL ROAD)
 27.5m R.O.W. - 10.0m ROAD WIDTH

- NOTE: 1) All dimensions are in metres unless otherwise shown.
 2) Curb and gutter to meet O.P.S.D. or City of Brantford detail drawing RD-104 for two-stage curb construction in accordance with project drawings
 3) Road grade and crossfall shall be in accordance with the Design and Construction Manual.
 4) Sidewalk Grade: minimum of 0.5% and maximum of 5%; Sidewalk Crossfall: minimum of 2% and maximum of 4%.
 5) Water service curb stops shall be on the property line. Installation on hard surfaced area, such as driveways and walkways shall be avoided.
 6) Refer to Standard Detail Drawing UT-105 for Joint Use Utility Trench.
 7) A minimum clearance of 0.3 m must be maintained between the gas line and the property line.
 8) If utilities cannot be installed according to this standard, they are to be installed as close as possible to the prescribed location subject to the approval of the City.
 9) Spacing between streetlights and trees should be sufficient to ensure no interference between tree canopy and lighting fixture.



CITY OF BRANTFORD	
DETAILED SECTION MINOR COLLECTOR (INDUSTRIAL) (27.5m ROW 10.0m ROAD WIDTH)	
DATE: JAN. 2021	H-109
REV:	

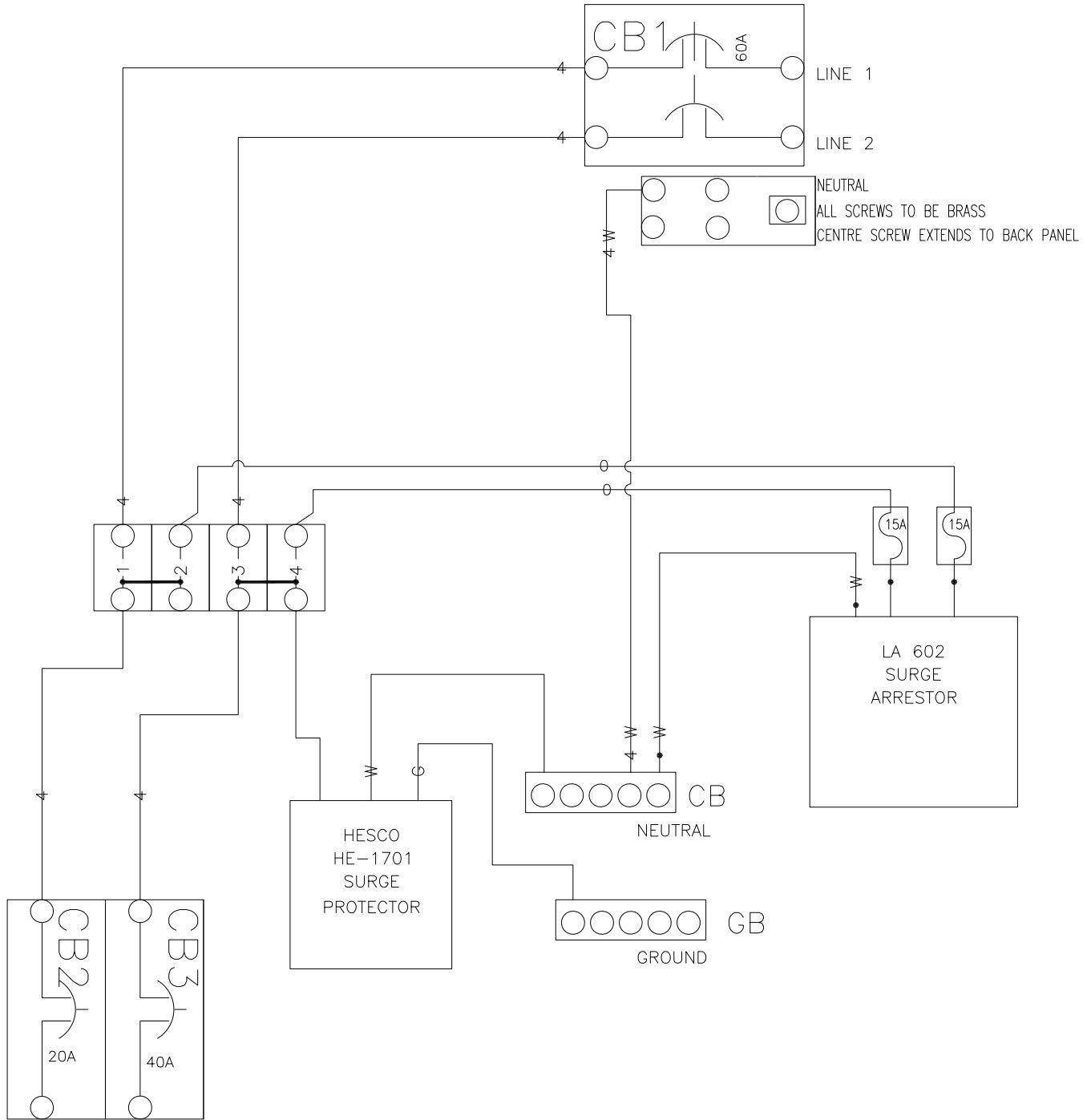
STANDARD DRAWINGS

STANDARD DRAWINGS AND DETAILS

Drawing No.	Title
TS-14	Power Distribution Assembly, 120 / 240V, 60 AMP, Single Phase, 3 Wire
TS-13	Supply Control Cabinet Assembly, Pole Mounted
TS-04	Typical Underground
TS-05	Typical Grounding
TS-06	Typical Push Button Wiring
TS-08	Reinforcing Cage - 30" Pole Base
TS-10	Traffic Controller Base
RD-102	Height and Location of Signs (Typical Installation)
RD-103	Height and Location of Markers
RD-104	Concrete Barrier Curb with Standard Gutter (with Two Stage Construction)
DF-01	Driveway Curb Drop Width
RD-106	Permanent Residential / Industrial Cul-de-sac
RD-107	Temporary Residential / Industrial Cul-de-sac
RD-108	Single Lane Roundabout (Key Features)
RD-113	Mid-Block Raised Crosswalk
RD-114	Typical Crosswalk and Stop Bar
BL-102	Steel Pipe Bollard with Cover
UT-105	Typical Joint Use Trench
SL-101	Street Light - 40ft Concrete Pole
SL-102	Street Light - Coach Light Pole Detail
SL-103	Street Light - 35ft Concrete Pole
SL-104	Street Light - Decorative Octagonal 22ft Concrete Pole
SL-105	Street Light - Decorative Octagonal 22ft Concrete Pole (Ver.2)
SL-106	Street Light - 13ft Concrete Pole (Downtown)
PO-101	Decorative Octagonal 35ft Concrete Pole
MP-101	Street Lighting Metered Pedestal
MP-102	Street Lighting Metered Pedestal Baseplate
TP-101	Tree Protection Detail
SP-101	Typical Traffic Signal Pole (10.5m) Steel Sectional

STANDARD DRAWINGS AND DETAILS

Drawing No.	Title
SP-102	Typical Traffic Signal Pole (4.0m) Steel Sectional - Used for Mounting Pedestrian Heads
SP-103	Typical Traffic Signal Pole (7.1m) Steel Sectional



WIRE LEGEND

- 22 AWG
- x- 16 AWG
- 14 AWG
- o- 10 AWG
- 4- 4 AWG
- G- GREEN
- W- WHITE

DETAIL REFERENCE: TACEL TPD4-0019



**Power Distribution
Assembly, 120/240V, 60
Amp, Single Phase, 3 Wire**

ENGINEERING SERVICES
DEPARTMENT

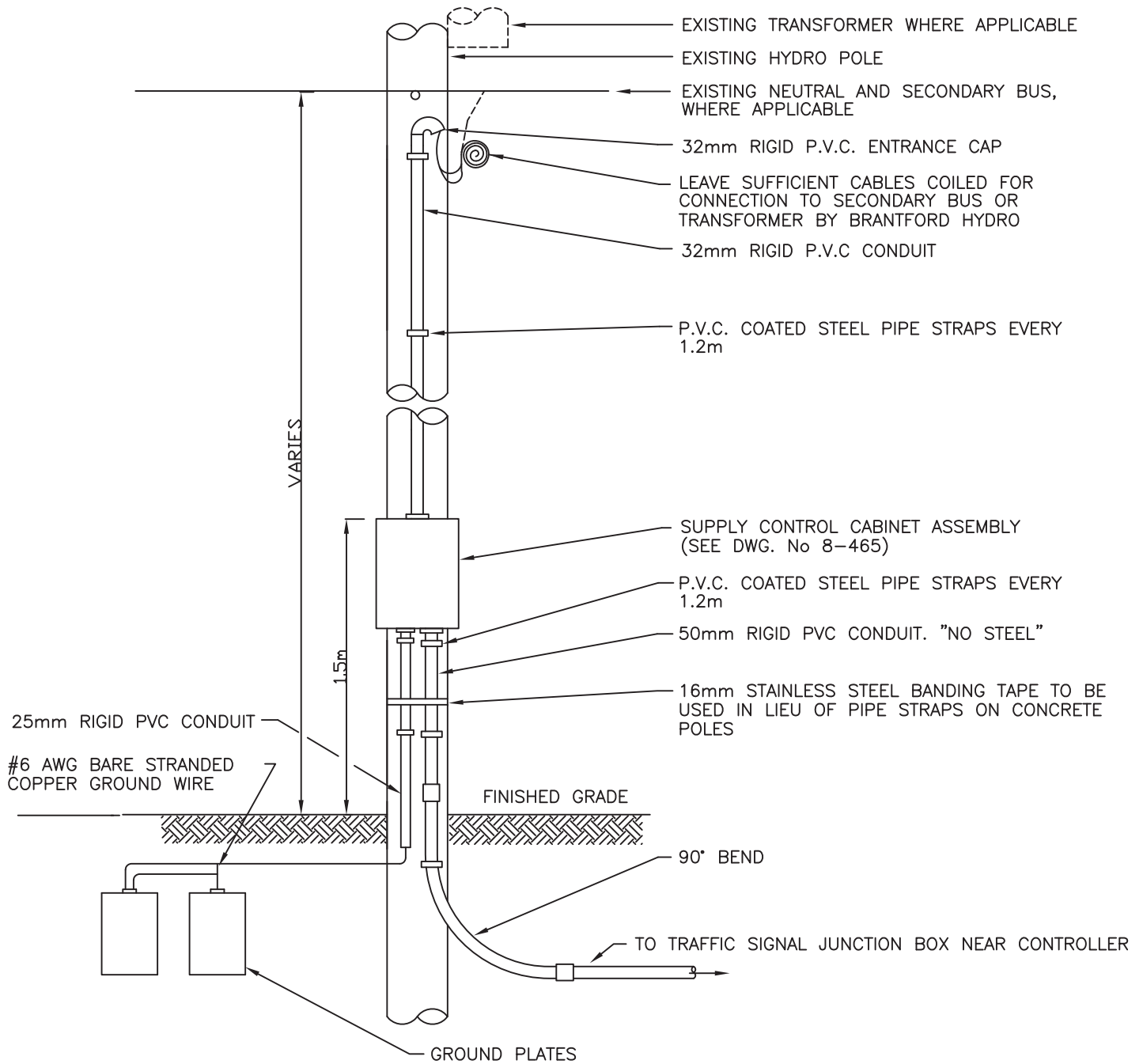
DATE: 12/2022

N.T.S.

REV:

DRAWN BY:
E.K.

TS-14



NOTES:

- A. WORK ON HYDRO POLE SHALL BE DONE ONLY IN THE PRESENCE OF OR WITH THE PERMISSION OF BRANTFORD HYDRO.
- B. CO-ORDINATE THIS WORK WITH BRANTFORD HYDRO GIVING TWO WEEKS ADVANCE NOTICE AND INCORPORATING ANY MINOR CHANGES REQUIRED.
- C. MOUNTING DETAILS SHOWN ARE TYPICAL ONLY AND SHALL BE ADAPTED TO SUIT SITE CONDITIONS AND BRANTFORD HYDRO.
- D. ALL DIMENSIONS ARE EXPRESSED IN MILLIMETERS UNLESS OTHERWISE NOTED.

CITY OF BRANTFORD

SUPPLY CONTROL CABINET ASSEMBLY, POLE MOUNTED

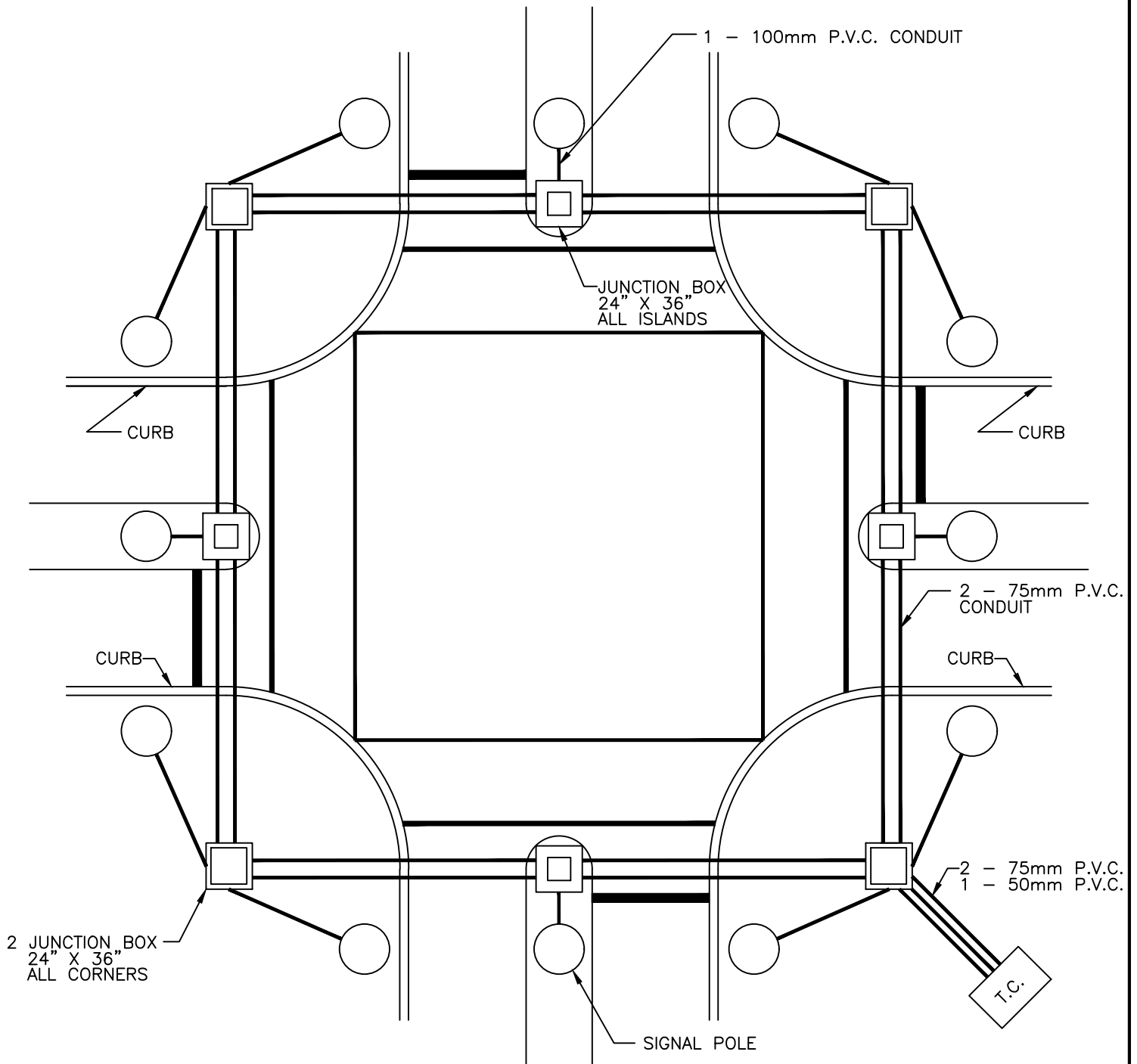
Revisions:

1	2015 01 21	ADD 2 GROUND PLATES	C.G.K.
---	------------	---------------------	--------

APPROVED _____

Date: 1993 09 07 Traffic Dwg. 8-466

Contract Dwg. No. TS-13

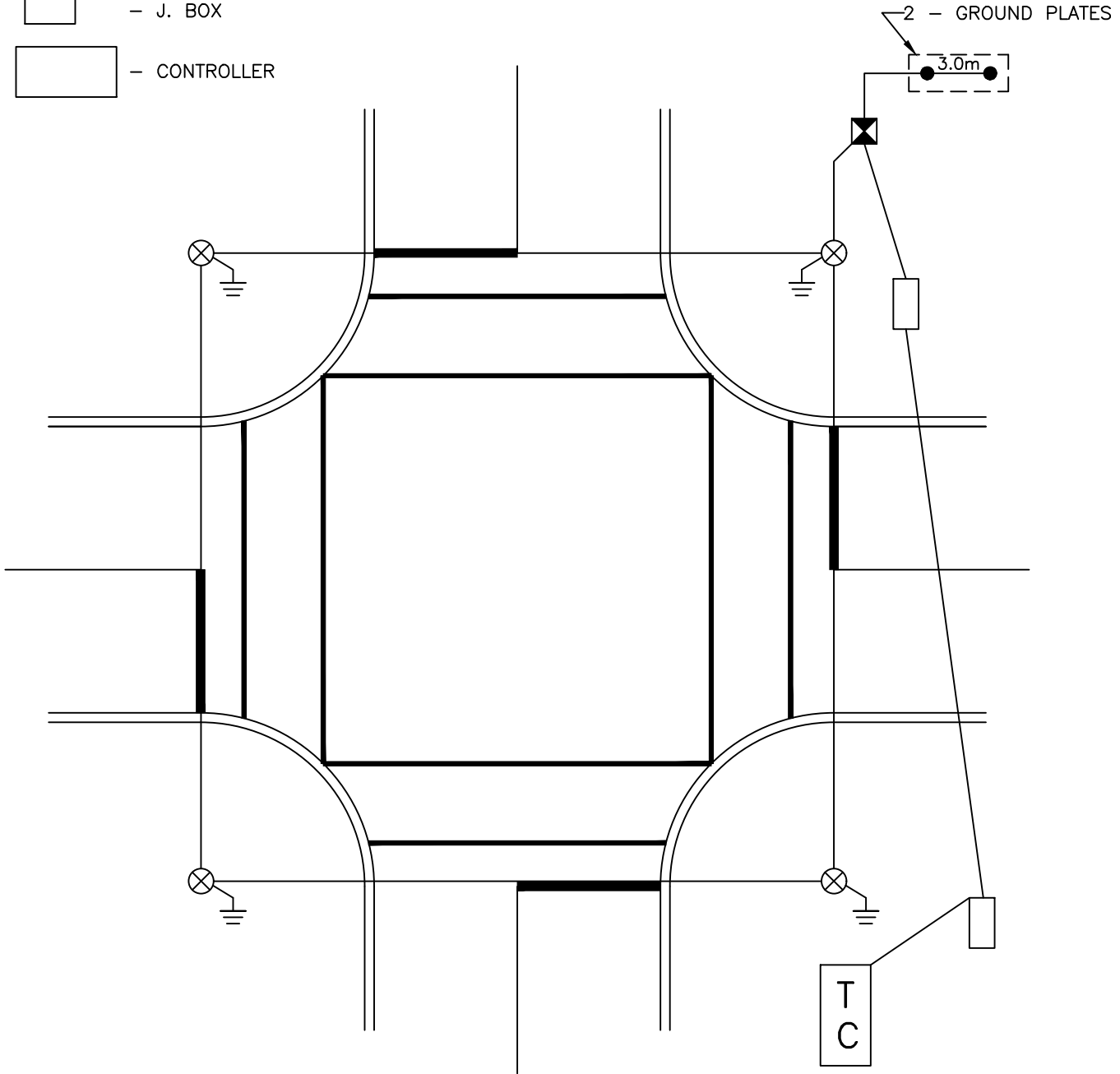


NOT TO SCALE

TYPICAL UNDERGROUND	
City of Brantford Engineering Department	
Revised: 07-04-19	Drawn by: M. Tufts
Traffic Department Drawing No.	8-589
Contract Drawing	TS - 04

LEGEND

- ⊗ - POLE
- ⊠ - SUPPLY DISCONNECT
- - J. BOX
- - CONTROLLER



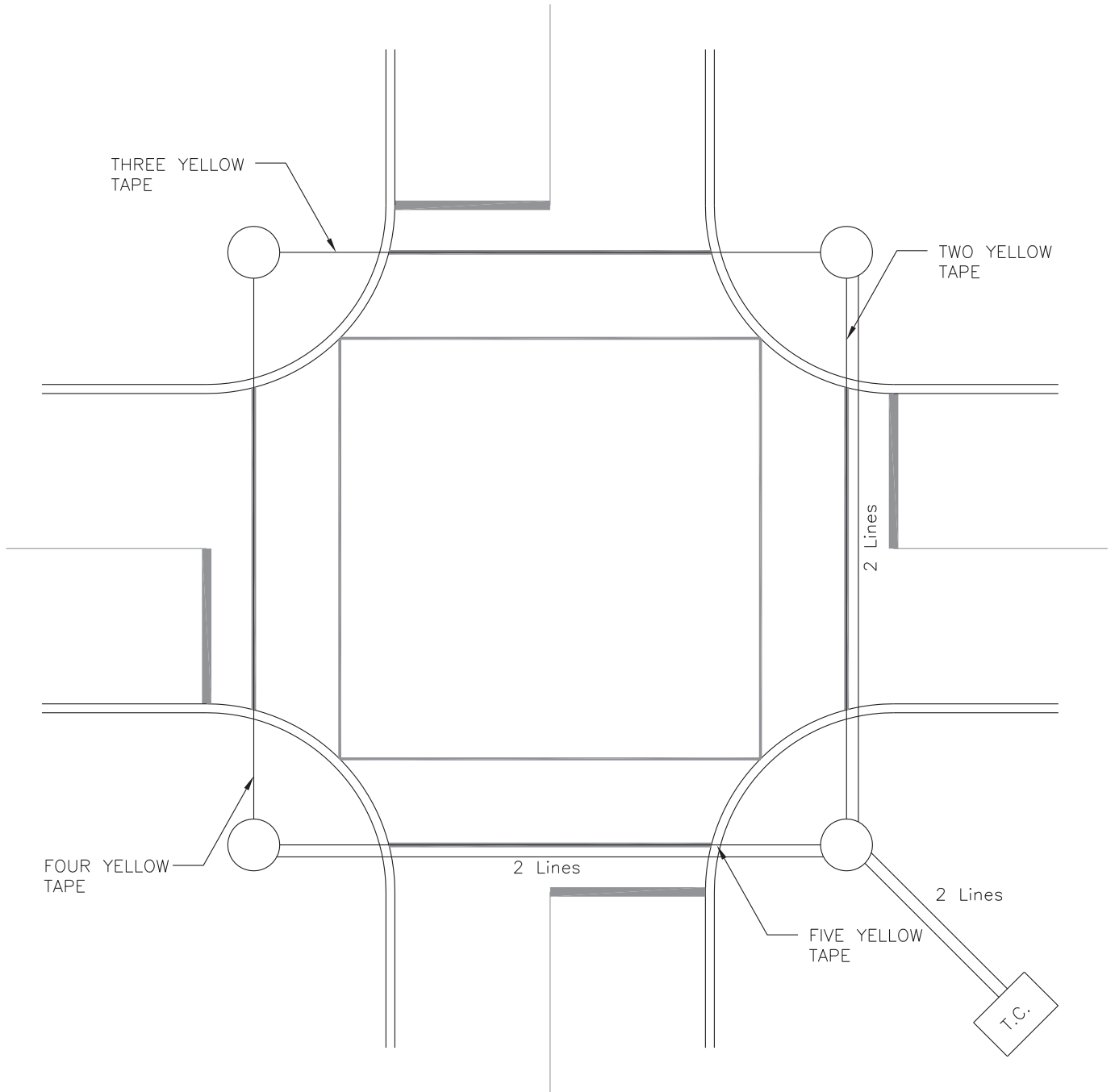
NOTES

- ① 4 GROUND PLATES AT POLES ON 4 CORNERS PLACED IN BOTTOM OF BASES OR IN J. BOX AS AN ADDITION TO EX. INTERSECTIONS.
- ② POLE TO POLE DISCONNECT #6 GREEN GROUND (RWU90/1000)
- ③ CONTROLLER TO DISCONNECT #6 GREEN GROUND (RWU90/1000)
- ④ DISCONNECT TO GRID #6 BARE WITH CADWELDS
- ⑤ POWER FEED FROM DISCONNECT TO HYDRO SERVICE
#4 (RW 90 / BLK & WHITE)
- ⑥ POWER FEED FROM DISCONNECT TO CONTROLLER
#6 (RWU 90 / BLK. & WHITE)

NB: NO. 1 AND NO. 2 MUST BE SEPARATELY TAKEN TO DISCONNECT BOX.

NOT TO SCALE

TYPICAL GROUNDING	
City of Brantford Engineering Department	
Revised: 07-04-19	Dwn by: J Atkinson
Traffic Drawing No.	8-590
Contract Drawing	TS - 05

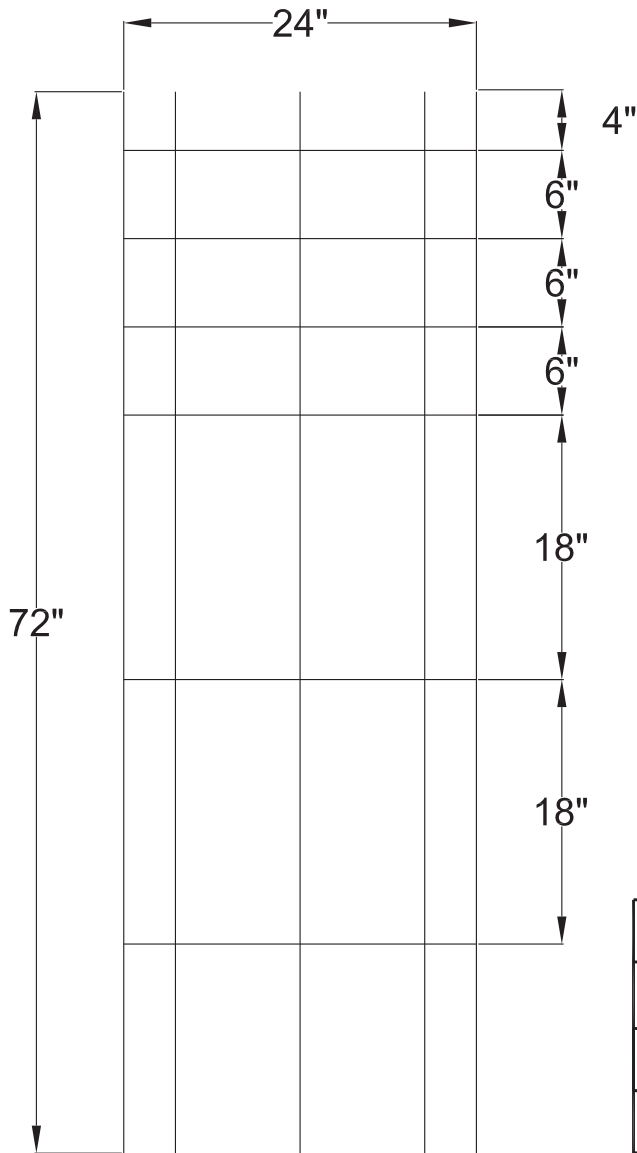
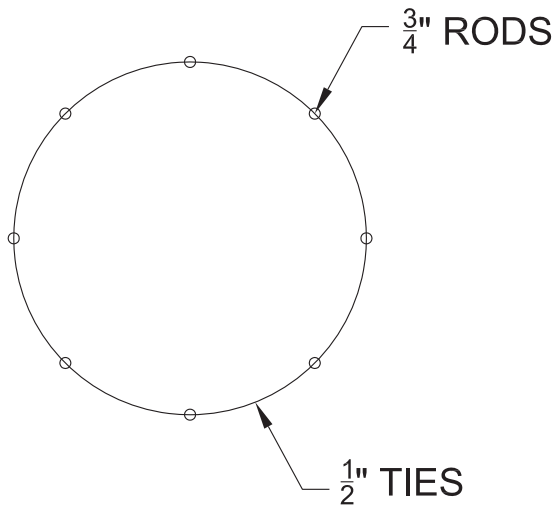


PUSH BUTTON NOTES

NOT TO SCALE

- #5C/14 AWG Shielded Conductor
- CAT #630S-21
- ∅ 2 P.B. - BLACK
- ∅ 4 P.B. - RED
- ∅ 6 P.B. - ORANGE
- ∅ 8 P.B. - BLUE
- COMMON - WHITE

TYPICAL PUSH BUTTON WIRING	
City of Brantford Engineering Department	
Date: 2002-08-15	Drawn by: M. Tufts
Traffic Drawing No.	8-591
Contract Drawing	TS - 06



NOT TO SCALE

REINFORCING CAGE - 30" POLE BASE	
City of Brantford Engineering Department	
Date: 2002-08-15	Drawn by: J. Atkinson
Traffic Drawing No.	8-593
Contract Drawing	TS - 08

Figure 5 – Height and Location of Signs (Typical Installation)

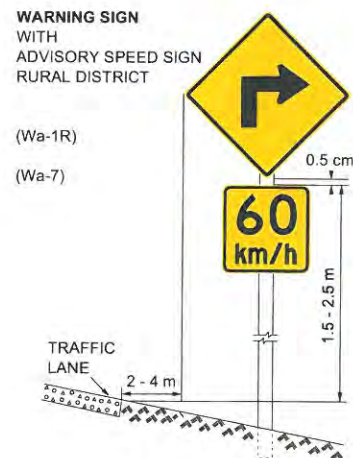
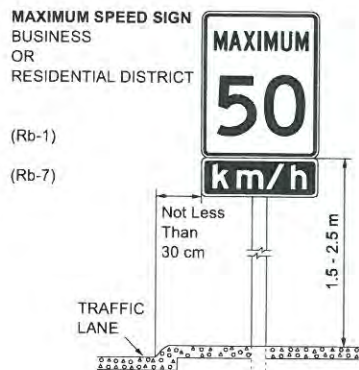
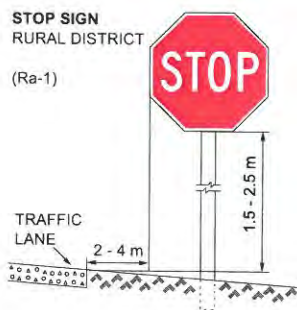
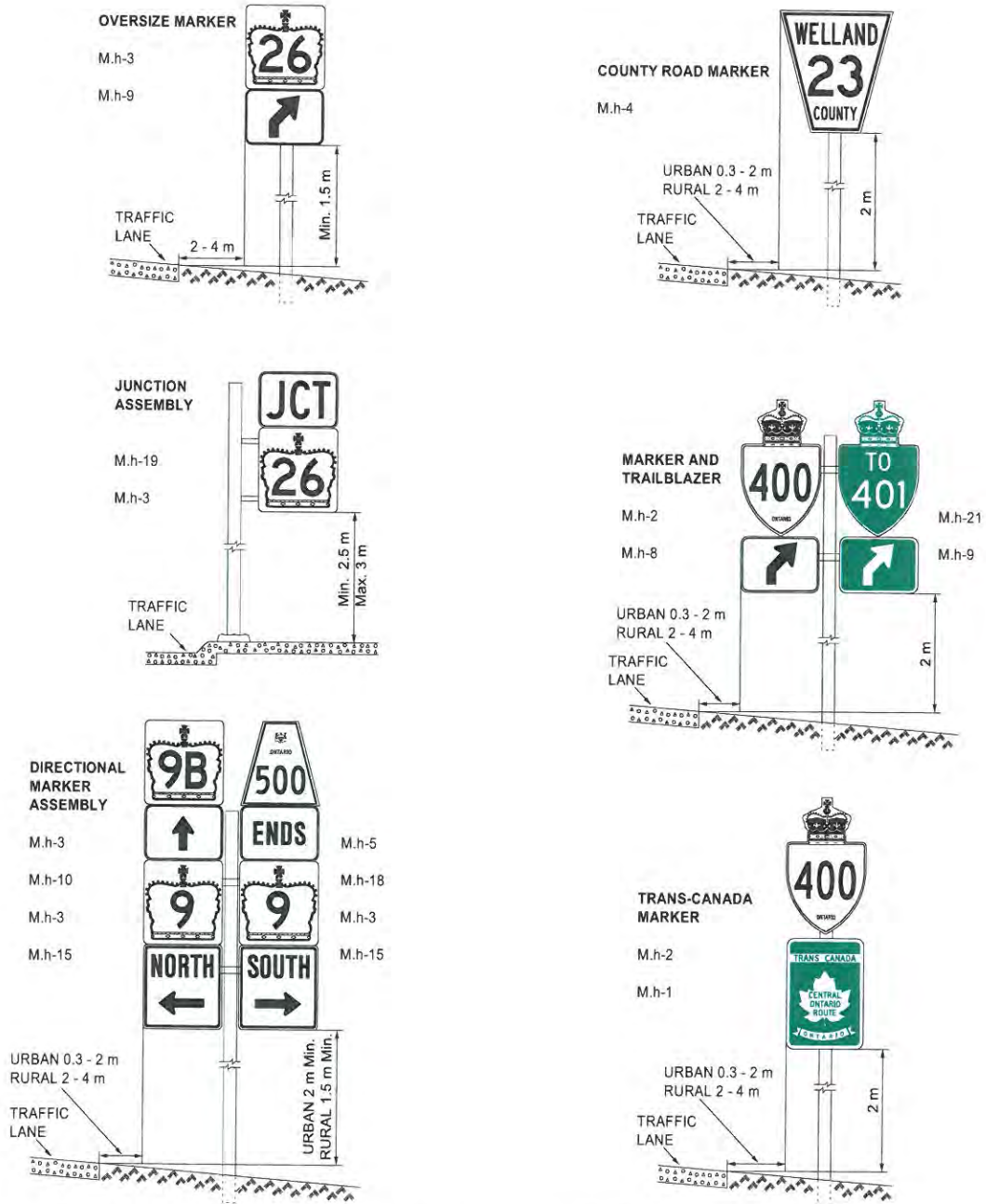
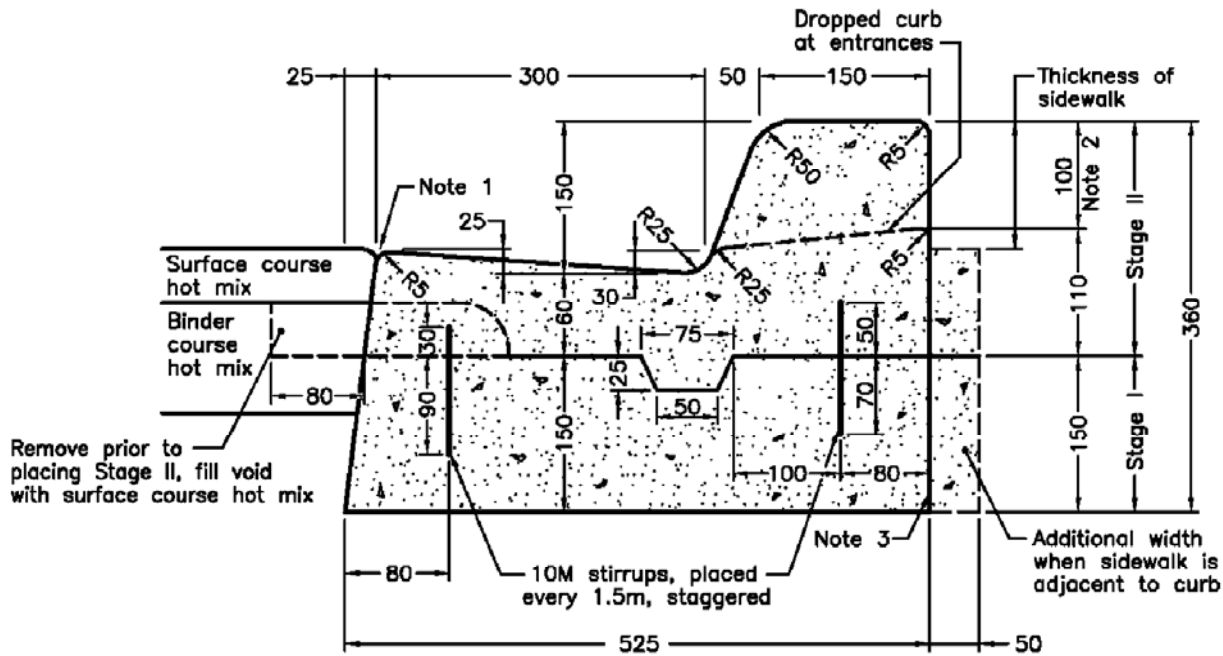


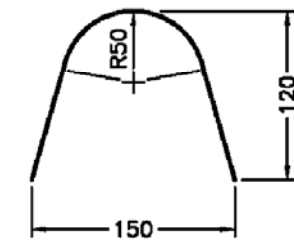
Figure 6 – Height and Location of Markers



NOTE: Where shoulder width is less than 3 m signs should be erected 60 cm from edge of shoulder

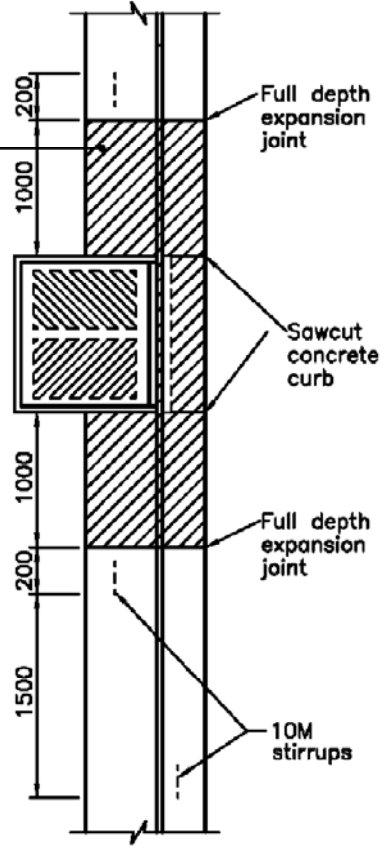


Remove prior to placing Stage II, fill void with surface course hot mix



STIRRUP DETAIL

Stage I - Temporary hot mix filler around catch basin
 Stage II - Remove asphalt filler and complete curb in one pour



DETAIL AT CATCH BASIN

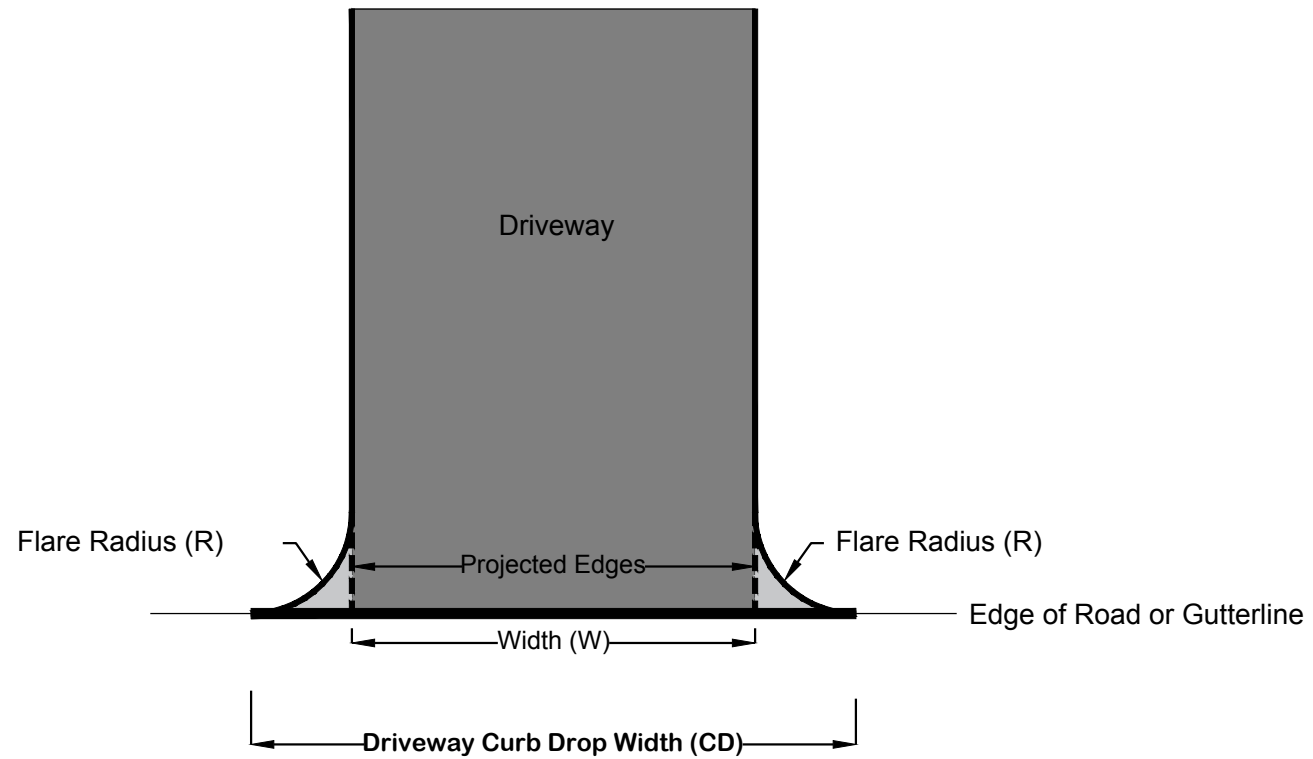
NOTES:

- 1 Flexible and composite pavement shall be placed 5mm above the adjacent edge of gutter.
 - 2 When sidewalk is continuously adjacent, the dropped curb at entrances shall be reduced to 75mm.
 - 3 For slipforming procedure a 5% batter is acceptable.
- A Stage I surface shall be cleaned of foreign material prior to placement of Stage II material.
- B Treatment at entrances shall be according to OPSD 351.010.
- C Outlet treatment shall be according to the OPSD 610 Series.
- D The transition from one curb type to another shall be a minimum length of 3.0m, except in conjunction with guide rail, when it shall be according to the OPSD 900 Series.
- E All dimensions are in millimetres unless otherwise shown.



RD-104
**CONCRETE BARRIER CURB
 WITH STANDARD GUTTER**
 WITH TWO STAGE CONSTRUCTION

ENGINEERING SERVICES DEPARTMENT	
JUNE, 2017	N.T.S.
DETAIL	DRAWN BY:



$CD = W + 2R$
 Where R=1 metre at residential driveways
 unless otherwise approved



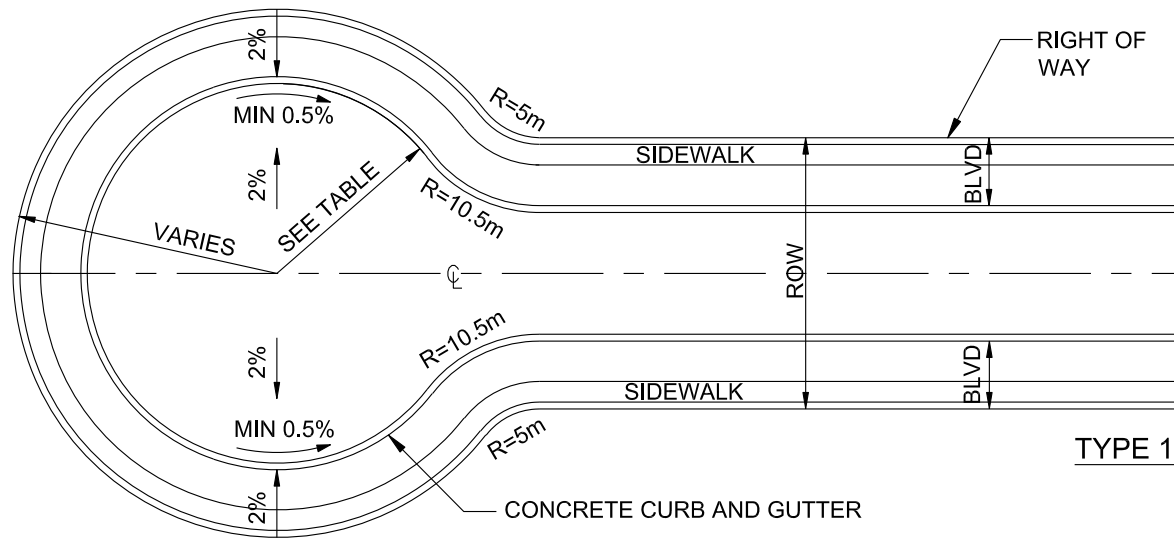
Driveway Curb Drop Width Detail

ENGINEERING SERVICES
DEPARTMENT

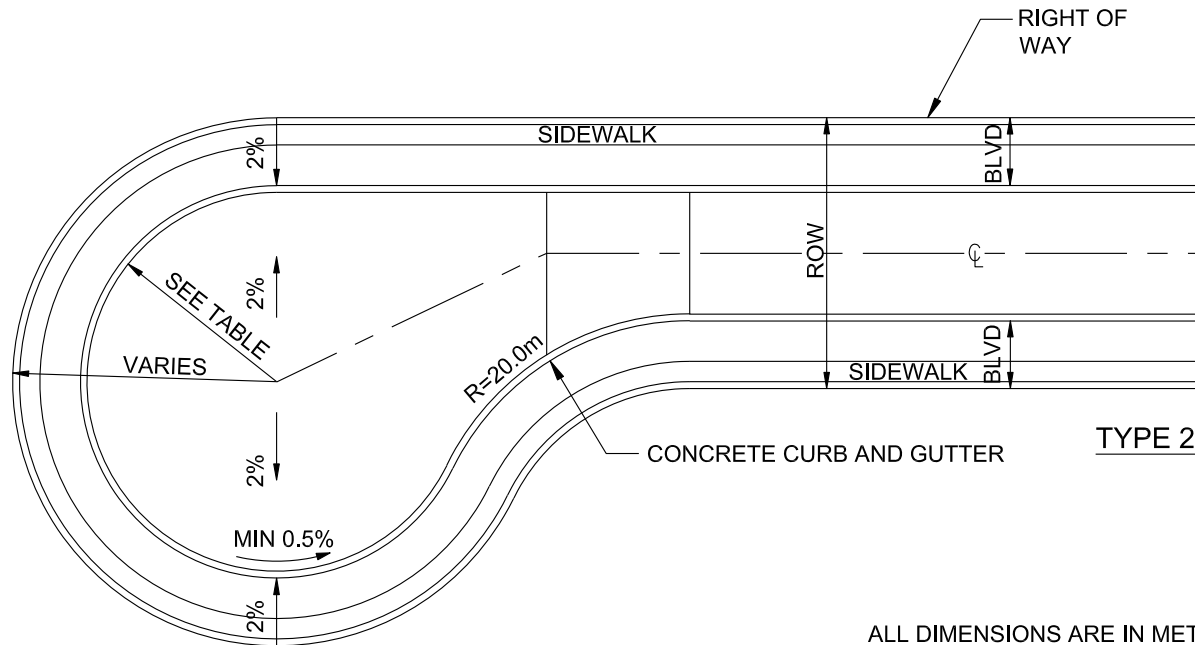
January 2019

1:75

DF-01



TYPE 1



TYPE 2

PAVEMENT RADIUS (m)	
INDUSTRIAL	16
RESIDENTIAL	14

GENERAL NOTES

1. ALTERNATIVE CUL-DE-SAC CONFIGURATIONS FOR RESIDENTIAL DEVELOPMENTS MAY BE CONSIDERED BY THE CITY PROVIDING MINIMUM CURB GRADIENTS AND PAVEMENT WIDTHS ARE MAINTAINED.
2. SIDEWALK SHALL BE PROVIDED AS PER SIDEWALK POLICY AND CAN BE EXTENDED FOR SCHOOL OR PARK ACCESS AROUND CUL-DE-SAC.
3. BOULEVARD WIDTH TO BE DETERMINED, BOULEVARD TO COINCIDE WITH ROAD CROSS SECTION
4. MINIMUM 0.5% GRADE SHALL BE MAINTAINED AROUND CURB AND GUTTER LINE
5. REQUIRED LANDS SHALL BE DEDICATED TO THE CITY.

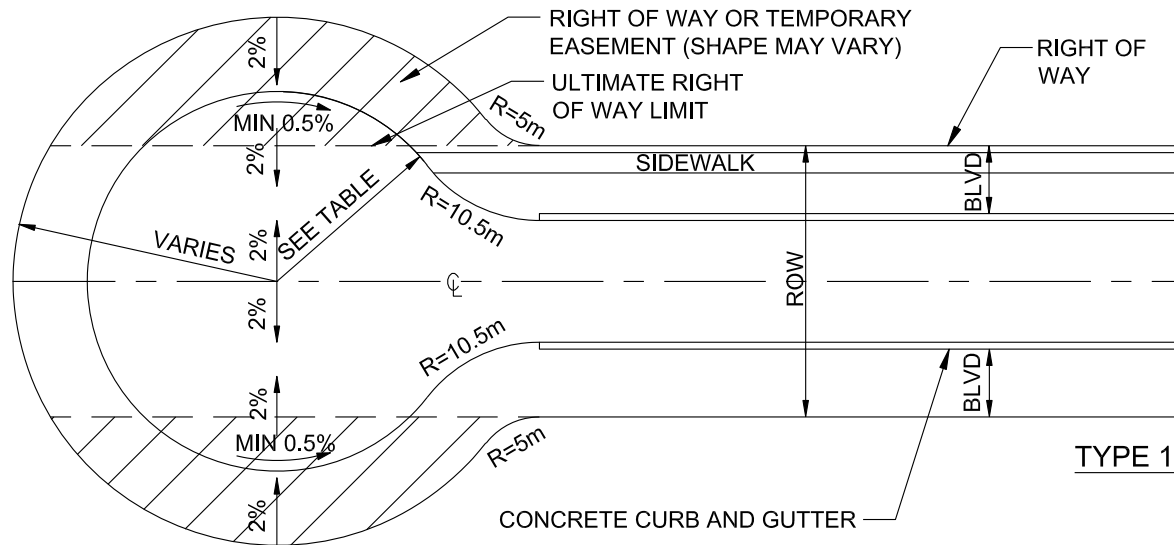
ALL DIMENSIONS ARE IN METRES
UNLESS OTHERWISE SHOWN



DRAWING NAME:

**PERMANENT RESIDENTIAL /
INDUSTRIAL CUL-DE-SAC**

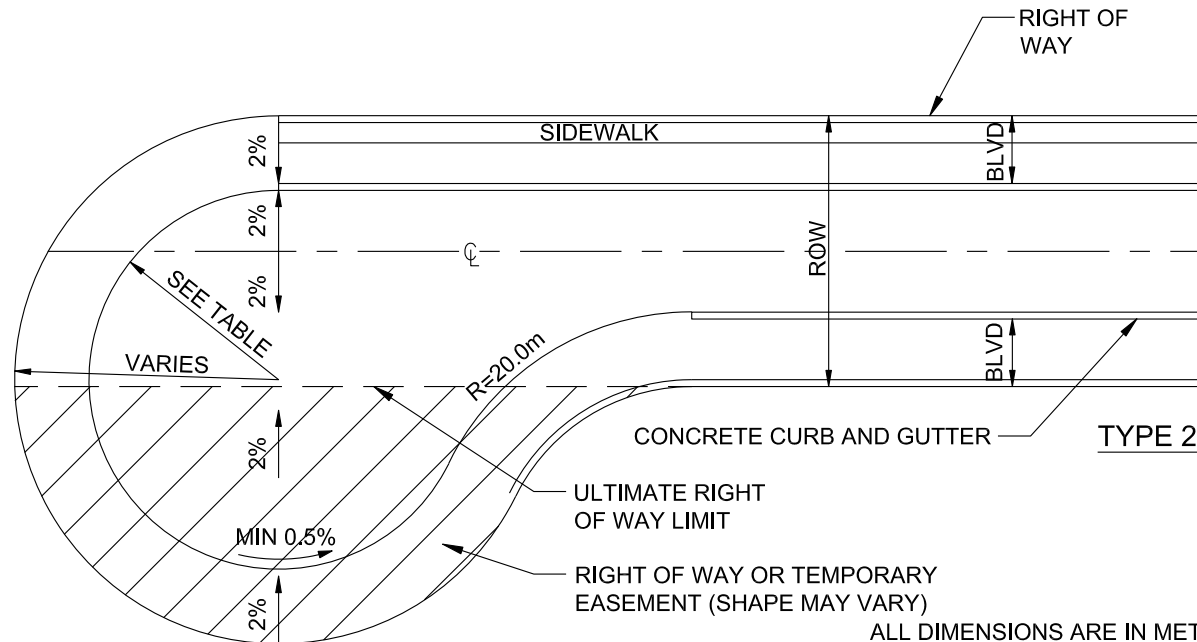
SCALE:	N.T.S	APPROVED BY:
REV:	3	
DATE:	FEB 2019	DWG NO: RD-106



PAVEMENT RADIUS (m)	
INDUSTRIAL	16
RESIDENTIAL	14

GENERAL NOTES

1. ALTERNATIVE CUL-DE-SAC CONFIGURATIONS FOR RESIDENTIAL DEVELOPMENTS MAY BE CONSIDERED BY THE CITY PROVIDING MINIMUM CURB GRADIENTS AND PAVEMENT WIDTHS ARE MAINTAINED.
2. SIDEWALK SHALL BE PROVIDED AS PER SIDEWALK POLICY AND CAN BE EXTENDED FOR SCHOOL OR PARK ACCESS AROUND CUL-DE-SAC.
3. BOULEVARD WIDTH TO BE DETERMINED, BOULEVARD TO COINCIDE WITH ROAD CROSS SECTION.
4. MINIMUM 0.5% GRADE SHALL BE MAINTAINED AROUND CURB AND GUTTER LINE.
5. RIGHT OF WAY EASEMENTS REQUIREMENTS AS PER SHADED AREA.
6. BOULEVARD SHALL BE GRADED TO ENSURE POSITIVE DRAINAGE IN TEMPORARY CONDITIONS.
7. LOTS ENCRANCHING ON TEMPORARY TURNING CIRCLE SHALL BE FROZEN (ON HOLD, SHALL NOT APPLY FOR BUILDING PERMITS).
8. WHEN THE ROAD IS EXTENDED, THE REMOVAL AND RESTORATION OF THE CUL-DE-SAC SHALL BE INCLUDED IN THE EXTENSION OF THE ROAD.
9. GRADING NOTED IS FOR TEMPORARY CUL-DE-SAC CONDITIONS ONLY.



ALL DIMENSIONS ARE IN METRES
UNLESS OTHERWISE SHOWN



DRAWING NAME:

TEMPORARY RESIDENTIAL / INDUSTRIAL CUL-DE-SAC

SCALE:

N.T.S

APPROVED BY:

REV:

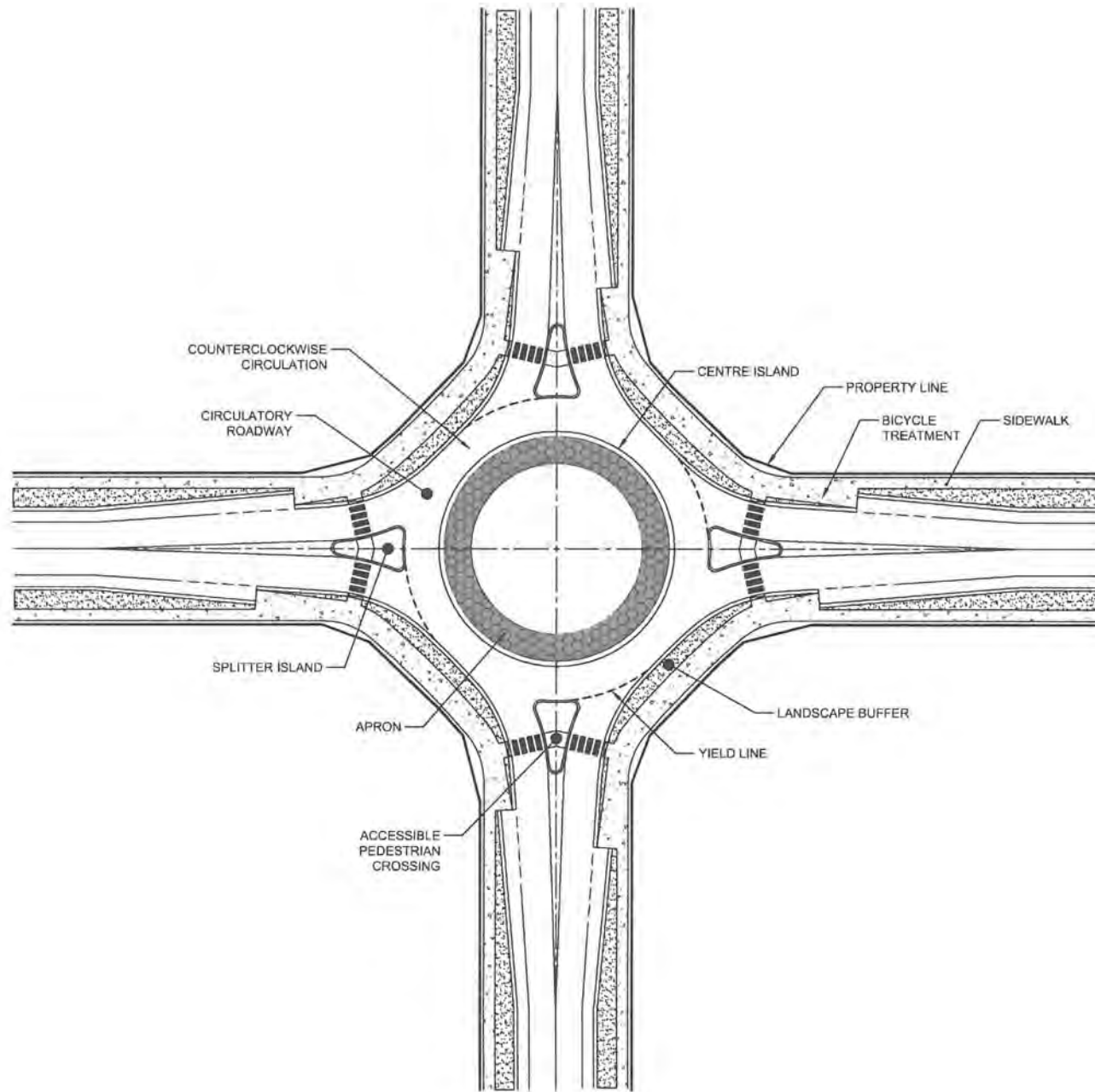
3

DATE:

FEB 2019

DWG NO:

RD-107



ROADS AND TRANSPORTATION:
Single Lane Roundabout
(Key Features)

RD-108

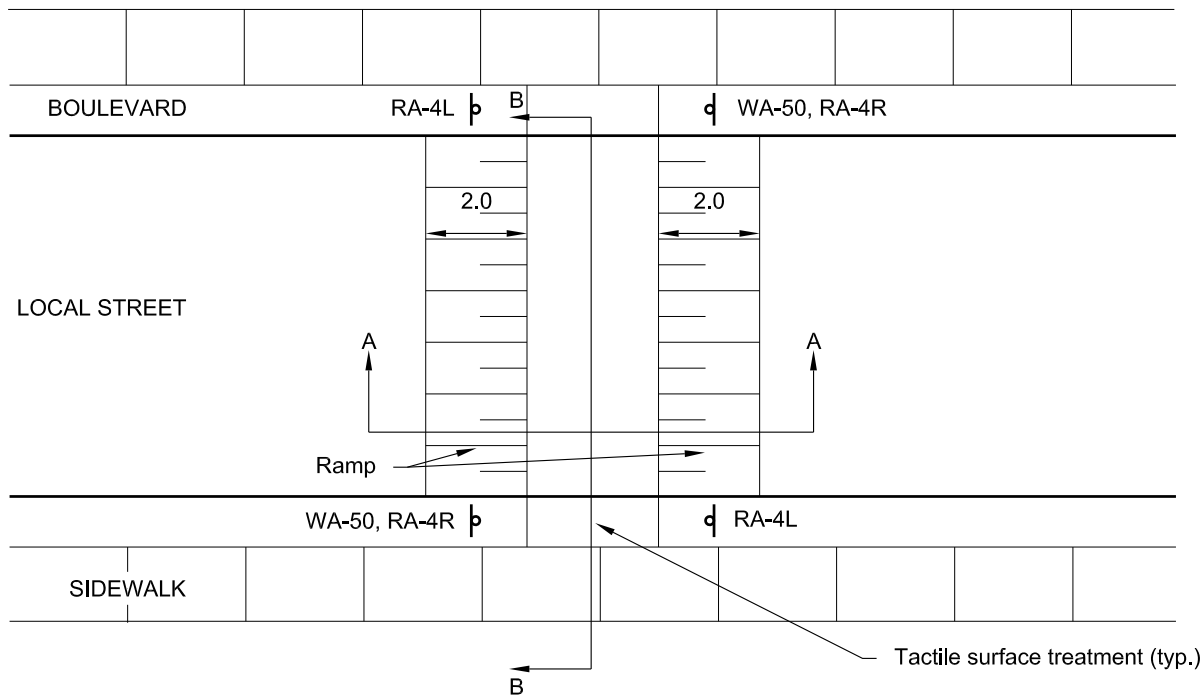
ENGINEERING SERVICES
DEPARTMENT

FEB. 2018

N.T.S.

DETAIL

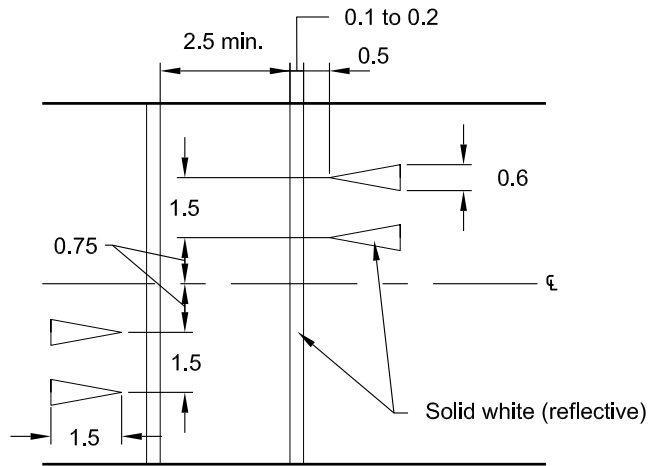
DRAWN BY:



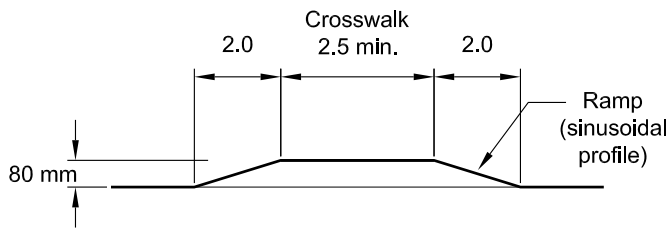
Sign Descriptions:

RA-4	Pedestrian Crosswalk
WA-50	Speed Hump

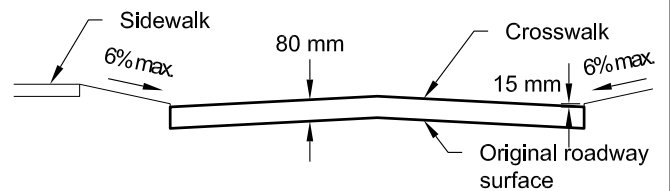
- Catch basins are required on the uphill side of raised crosswalk.
- To satisfy the recommended curb-face height of 15 mm may require sidewalk reconstruction adjacent to the curb.



Pavement Markings
(Two-way Street)



Section A-A



Section B-B

Ramp Height Development

Crosswalk profile parallel to roadway surface

Distance (m)	0.000	0.125	0.250	0.375	0.500	0.625	0.750	0.875	1.000	1.125	1.250	1.375	1.500	1.625	1.750	1.875	2.000
Finished Height (mm)	0	1	3	7	12	18	25	32	40	48	55	62	68	73	77	79	80

All dimensions are in metres unless otherwise noted.



MID-BLOCK RAISED CROSSWALK

ENGINEERING SERVICES
DEPARTMENT

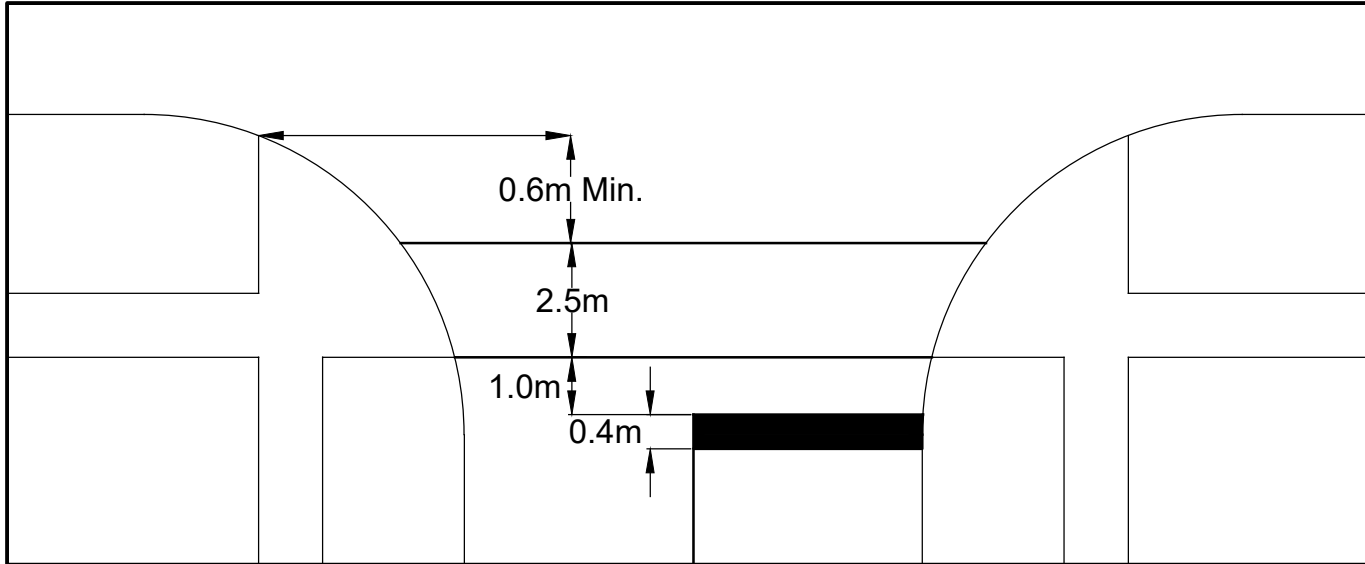
DATE: 12/2022

REV:

N.T.S

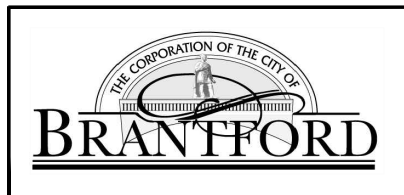
RD-113

DRAWN BY:
E.K.



NOTES:

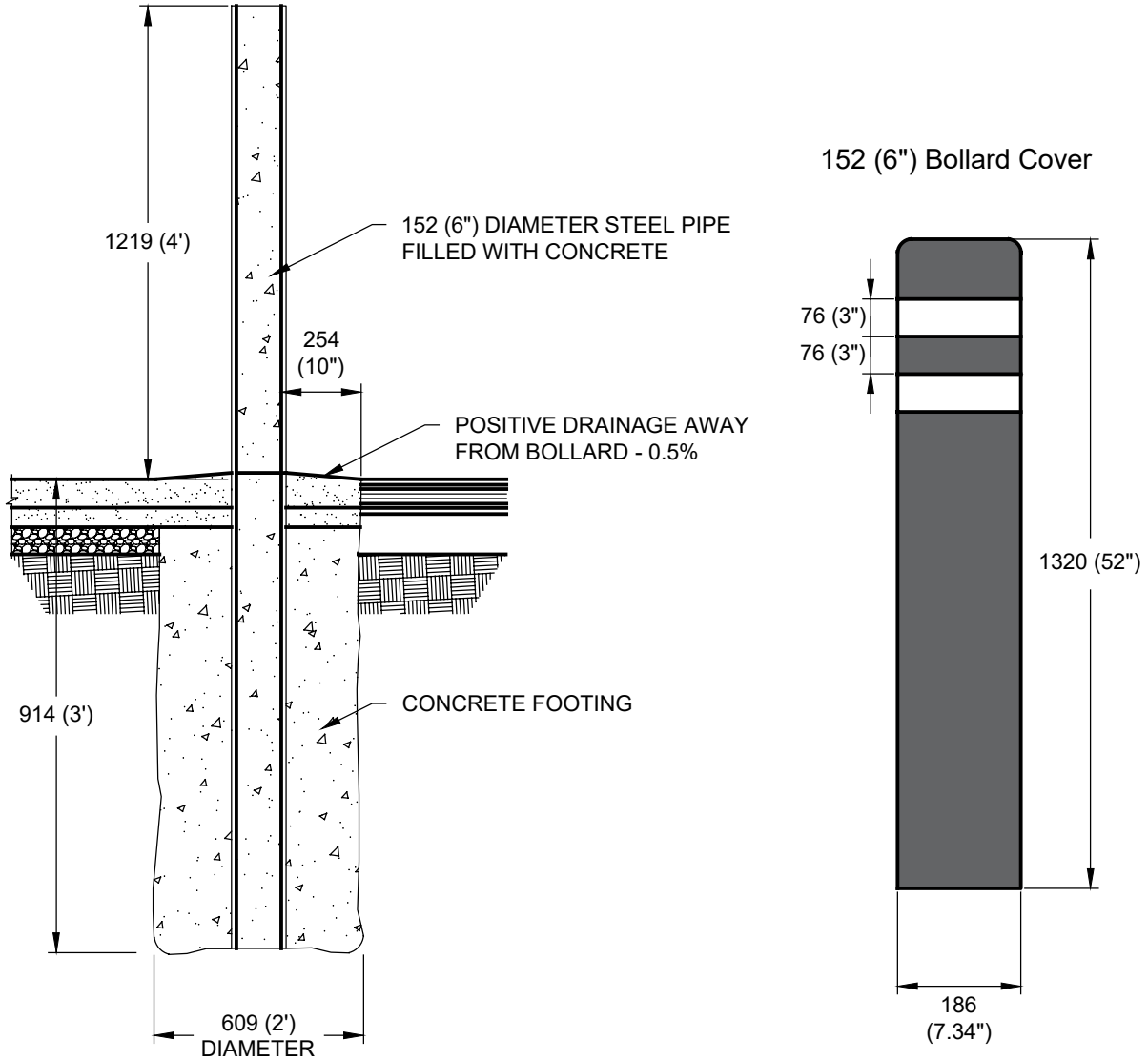
- 1) STANDARD CROSSWALK AND LANE LINES TO BE 0.1m WIDE.



Typical Crosswalk and Stop Bar

ENGINEERING SERVICES DEPARTMENT	
DATE: 12/2022	N.T.S
REV: 01/2024	
RD-114	DRAWN BY: N.M.

Typical Bollard Installation



Notes:

High Strength Steel Pipe size: 152 (6") diameter x 2134 (7') Length.

Install: 914 (3') buried with concrete footing 609 (2' diameter).

Colour: Black with two (2) white reflective tape stripes 76 (3") wide, spaced 76 (3") apart.

Bollard Cover: 152 (6") inner diameter. 161 (6.34") outer diameter.

Bollard cover installation method: Cross two strips of installation foam over the bollard and slide on the cover.

All dimensions are in millimetres unless otherwise noted.



Steel Pipe Bollard with Bollard Cover

ENGINEERING SERVICES DEPARTMENT

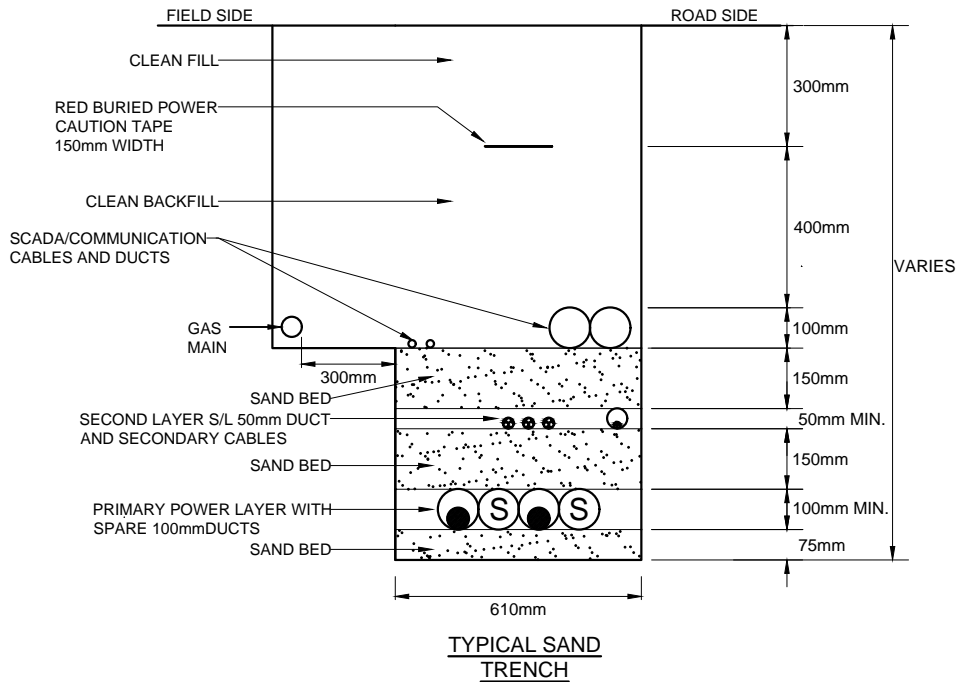
DATE: 12/2022

REV: 01/2024

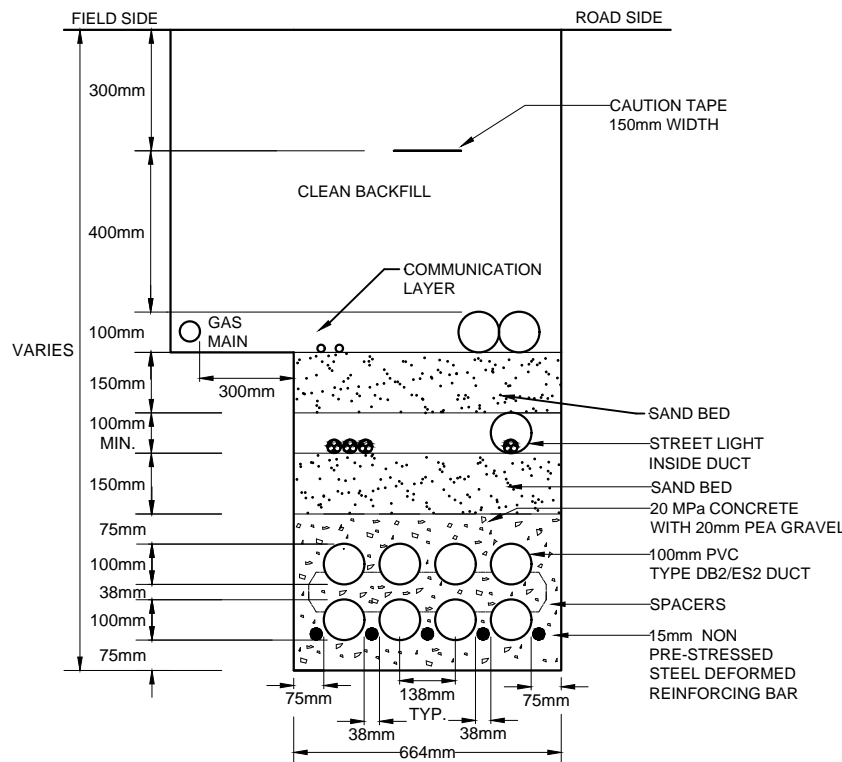
BL-102

N.T.S

DRAWN BY:
N.M

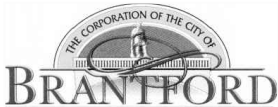


TYPICAL SAND TRENCH



TYPICAL CONCRETE TRENCH

- NOTES:**
1. OBTAIN ALL UTILITY LOCATES PRIOR TO CONSTRUCTION
 2. ALL DIMENSIONS ARE THE MINIMUM DISTANCES REQUIRED
 3. CONTRACT BRANTFORD POWER A MINIMUM OF 2 BUSINESS DAYS PRIOR TO BACKFILL TO SCHEDULE INSPECTIONS
 4. BACKFILL IN LAYERS NOT EXCEEDING 300mm. THOROUGHLY COMPACT EACH LAYER
 5. THIS SPECIFICATION MEETS OR EXCEEDS CSA C22.3 NO.7-15 STANDARD
 6. ALL DB2 DUCTS AND JOINTS TO BE GLUED WITH APPROVED ADHESIVE
 7. TRENCH DETAIL REFERENCE: BPI STANDARD #37-346

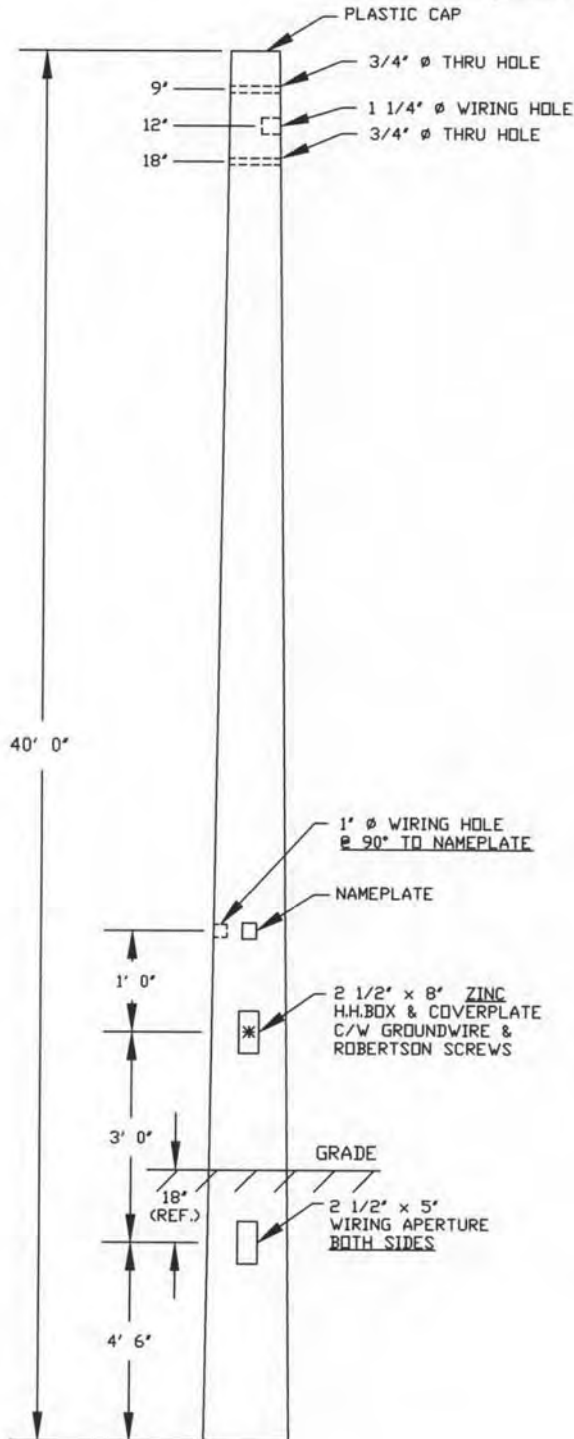


TYPICAL JOINT USE TRENCH

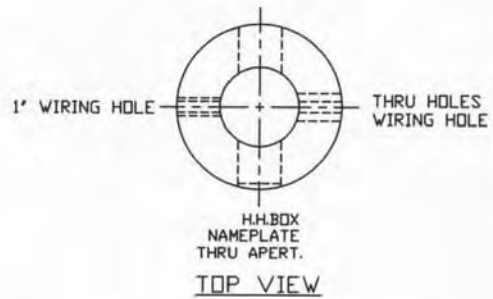
ENGINEERING SERVICES DEPARTMENT	
JAN. 2021	N.T.S.
UT-105	DRAWN BY: E.K.

POLE TOP: 5' ϕ

REV.	ALTERATION	E.C.N.	DATE	BY
A	1' ϕ HOLE ADDED 90° TO NAMEPLATE		09/23/04	AA



SECTION: SQUARE
 COLOUR: MOULD FINISH
 FINISH: MOULD FINISH
 POLE TOP: 5' ϕ
 POLE BUTT: 12 3/16" ϕ
 POLE LENGTH: 40' 0"
 APPROX. WGT.: 2,118 LBS
 QUANTITY:



ROADS AND TRANSPORTATION:
 Street Light - 40ft Concrete Pole
 SL-101

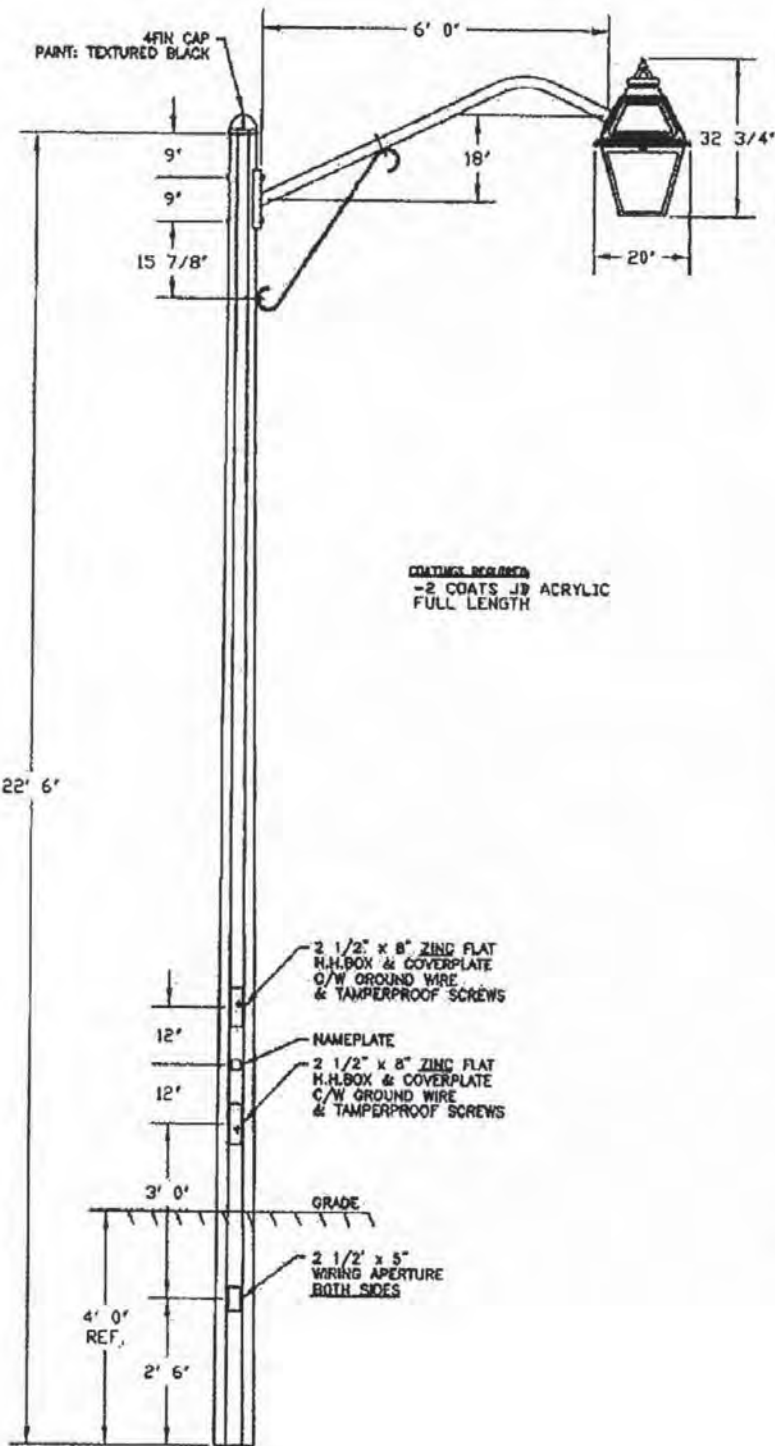
ENGINEERING SERVICES
 DEPARTMENT

FEB. 2018

N.T.S.

DETAIL

DRAWN BY:



COATINGS REQUIRED
 -2 COATS J.B. ACRYLIC
 FULL LENGTH

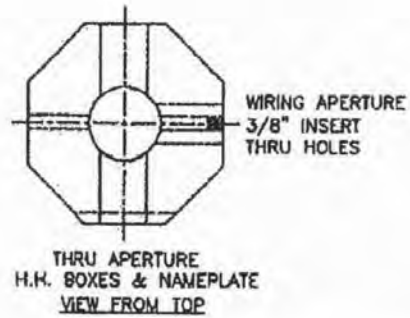
MOUNTING TYPE: SIDE MOUNT
 OPTICAL DESIGN: FLAT ARRAY, NO LENS
 LENS MATERIAL: N/A
 LENS FINISH: N/A
 IES CLASS.: TYPE II
 WATTAGE: 50W
 SERIES: B070
 LIGHT SOURCE: SOLID STATE LIGHTING
 LINE VOLTAGE: 120:277V
 PAINT: TEXTURED BLACK
 OPTIONS: F5 FINIAL C/W 7-PRONG TWISTLOCK
 PHOTOCELL RECEPTACLE ANSI STD. C136.41
 (PHOTO EYE BY OTHERS)

ARM SPECIFICATIONS

MATERIAL: ALUMINUM
 PAINT: TEXTURED BLACK

POLE SPECIFICATIONS

SECTION: OCTAGONAL
 COLOUR: MIDNIGHT LACE
 FINISH: POLISHED
 POLE TOP: 5 3/8" FL/FL
 POLE BUTT: 8 3/16" FL/FL
 LENGTH: 22' 6"
 APPROX. WEIGHT: 860 lbs.
 MIN. RACEWAY: 1 1/8" ø



ROADS AND TRANSPORTATION:
 Street Light - Coach Light Pole Detail
 SL-102

ENGINEERING SERVICES
 DEPARTMENT

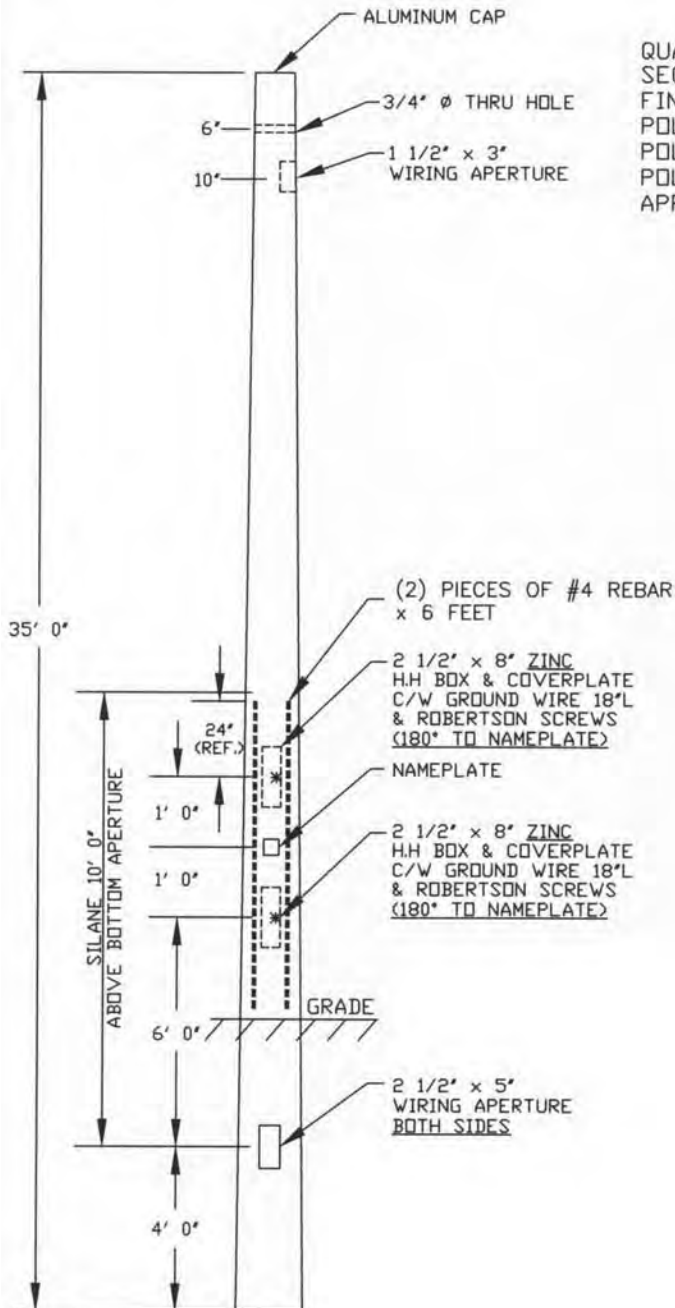
FEB. 2018

N.T.S.

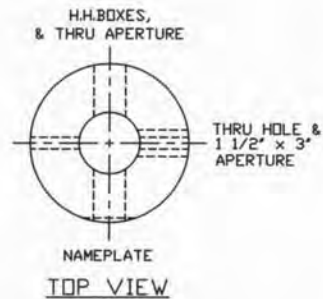
DETAIL

DRAWN BY:

REV.	ALTERATION	DATE	BY
F	DWG. REVIEWED & UPDATED	10/24/16	T.B



QUANTITY:
SECTION: ROUND
FINISH: MOULD FINISH
POLE TOP: 4 3/4" DIA.
POLE BUTT: 11" DIA.
POLE LENGTH: 35' 0"
APPROX. WGT.: 1,720 LBS



ROADS AND TRANSPORTATION:
Street Light - 35ft Concrete Pole
SL-103

ENGINEERING SERVICES
DEPARTMENT

FEB. 2018

N.T.S.

DETAIL

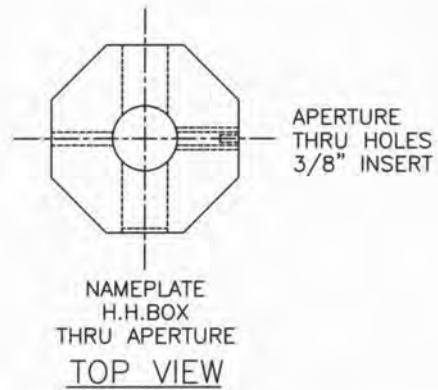
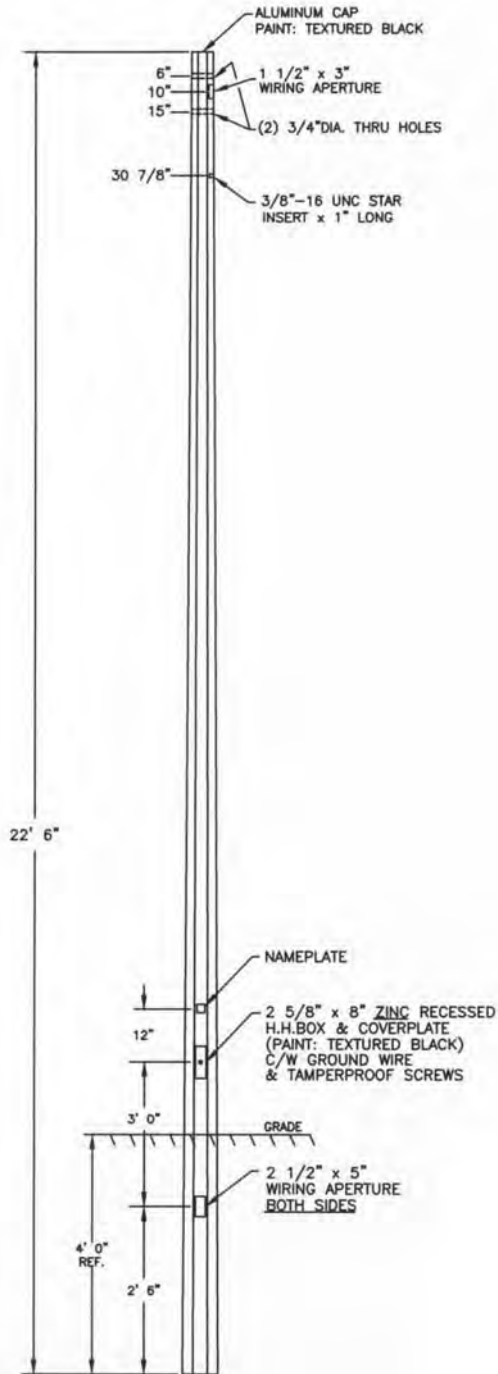
DRAWN BY:

REV.	ALTERATION	DATE	BY
A	COATING WAS VEX-HFST; WEIGHT CORRECTED	10/01/09	AA.
B	4-FIN CAP REMOVED	10/29/09	AA.
C	SCREWS FOR H.H.BOX WAS ROBERTSON	08/12/10	T.B
D	CAP WAS PLASTIC	01/23/13	AA.

POLE SPECIFICATIONS

SECTION: OCTAGONAL
 COLOUR: MIDNIGHT LACE
 FINISH: POLISHED
 POLE TOP: 5 3/8" FL/FL
 POLE BUTT: 8 1/8" FL/FL
 POLE LENGTH: 22' 6"
 APPROX WEIGHT: 835 lbs.

COATINGS REQUIRED:
 -2 COATS ACRYLIC
 FULL LENGTH



ROADS AND TRANSPORTATION:
 Street Light - Decorative Octagonal
 22ft Concrete Pole

SL-104

ENGINEERING SERVICES
 DEPARTMENT

FEB. 2018

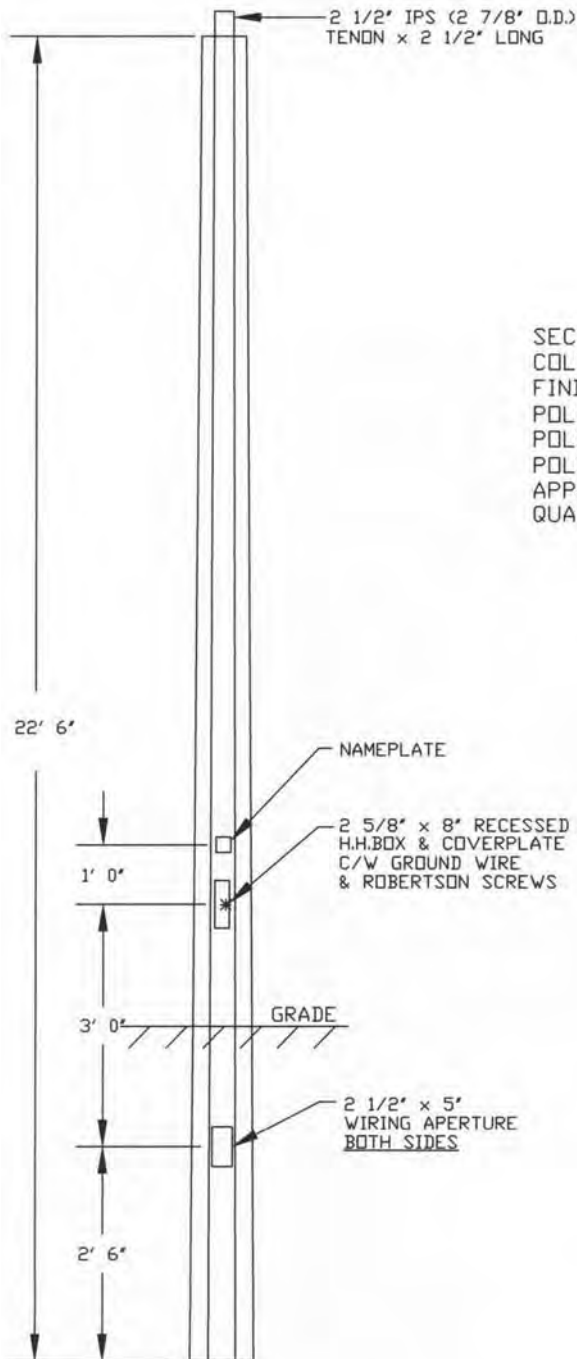
N.T.S.

DETAIL

DRAWN BY:

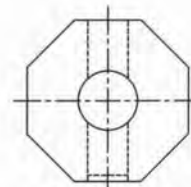
TOP SIZE: 5 3/8" FL/FL

REV.	ALTERATION	DATE	BY
A	HH BOX MATERIAL SPECIFIED AS POLYMER; ACRYLIC COATINGS ADDED.	08/29/02	M.M.
B	HH BOX MATERIAL WAS POLYMER	7/21/06	M.L.



SECTION: OCTAGONAL
 COLOUR: MIDNIGHT LACE
 FINISH: POLISHED
 POLE LENGTH: 22' 6"
 POLE TOP: 5 3/8" FL/FL
 POLE BUTT: 8 3/16" FL/FL
 APPROX. WGT.: 848 LBS
 QUANTITY:

COATINGS REQUIRED:
 -2 COATS ACRYLIC
 FULL LENGTH



NAMEPLATE, H.H. BOX,
 & THRU APERTURE

TOP VIEW



ROADS AND TRANSPORTATION:
 Street Light - Decorative Octagonal
 22ft. Concrete Pole (Ver.2)

SL-105

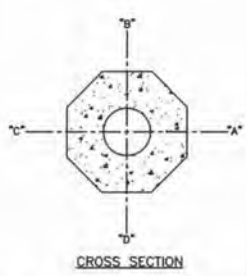
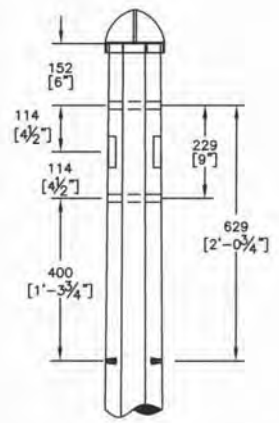
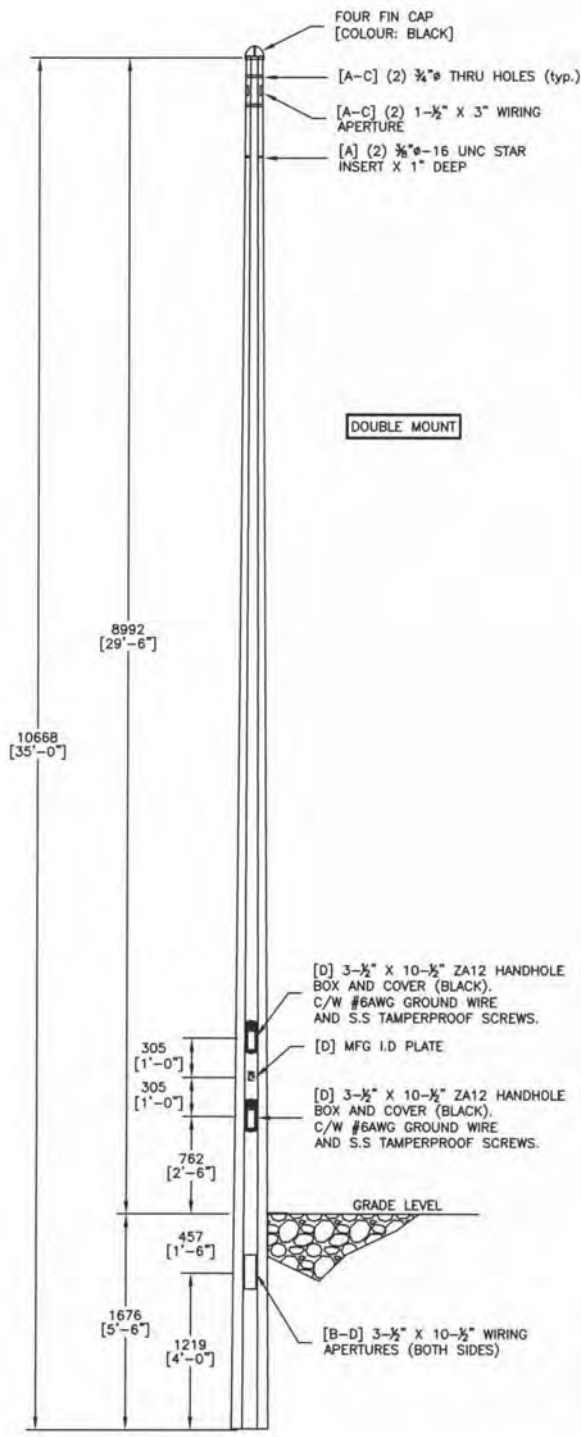
ENGINEERING SERVICES
 DEPARTMENT

FEB. 2018

N.T.S.

DETAIL

DRAWN BY:



NOTES:
 1. ALL POLES TO BE MANUFACTURED TO CSA A14(LATEST REVISION) SPECIFICATION FOR SPUN CONCRETE POLES.



ROADS AND TRANSPORTATION:
 Decorative Octagonal
 35ft Concrete Pole

PO-101

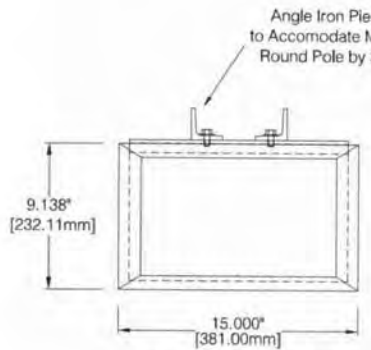
ENGINEERING SERVICES
 DEPARTMENT

FEB. 2018

N.T.S.

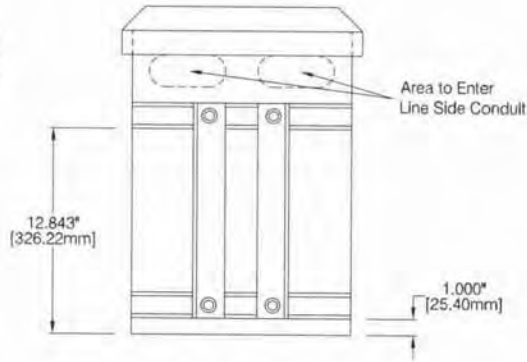
DETAIL

DRAWN BY:



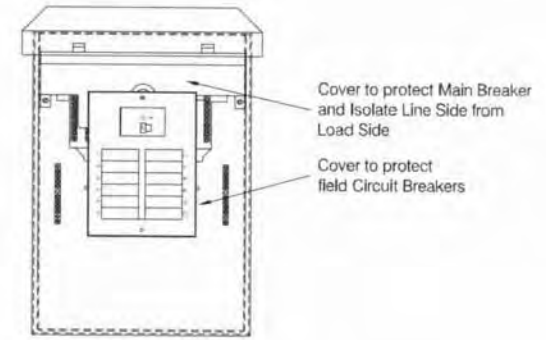
Front Outside View
with Front Panels Installed

Angle Iron Pieces Bolted to Unistrut
to Accomodate Mounting to Square or
Round Pole by Stainless Steel Bands

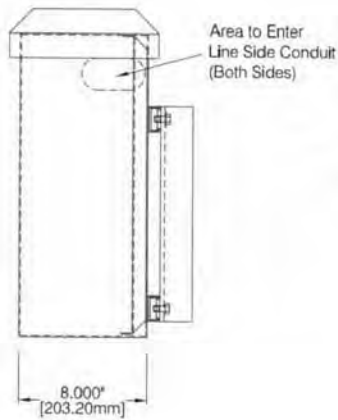


Rear Outside View

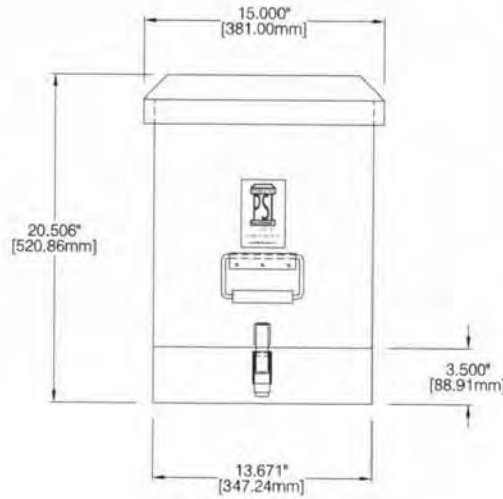
Area to Enter
Line Side Conduit



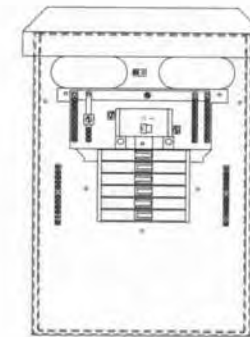
Front Outside View
with both Front Panels removed



Right Side
Outside View



Front Outside View
with Front Panels Installed



Front Outside View
with both Front Panels &
Circuit Breaker Covers removed

Pole Mounted Enclosure



ROADS AND TRANSPORTATION:
Street Lighting Metered Pedestal
MP-101

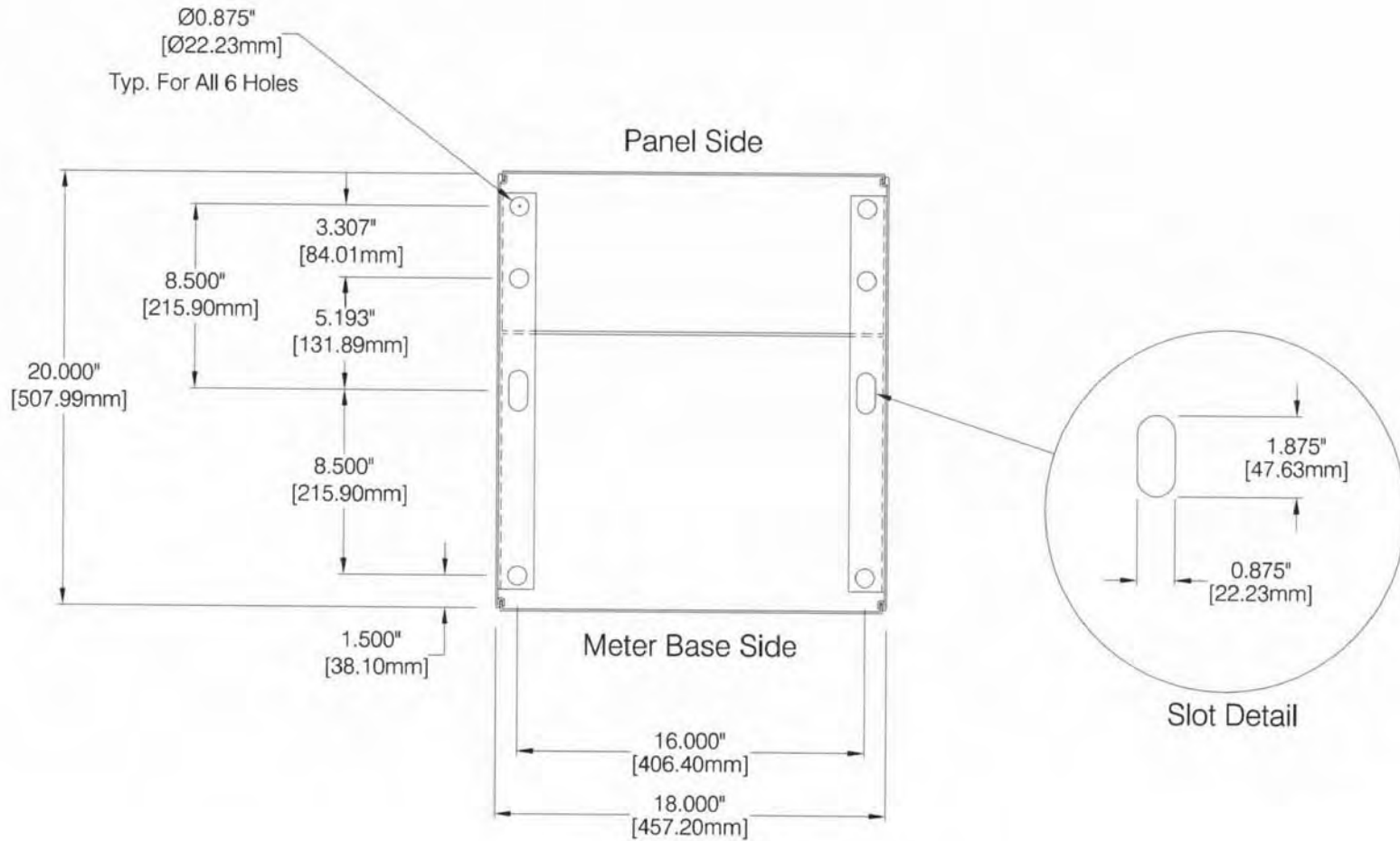
ENGINEERING SERVICES
DEPARTMENT

MAR. 2018

N.T.S.

DETAIL

DRAWN BY:



Street Lighting Metered
Pedestal Baseplate
Mounting Dimensions



ROADS AND TRANSPORTATION:
Street Lighting Metered Pedestal Baseplate

MP-102

ENGINEERING SERVICES
DEPARTMENT

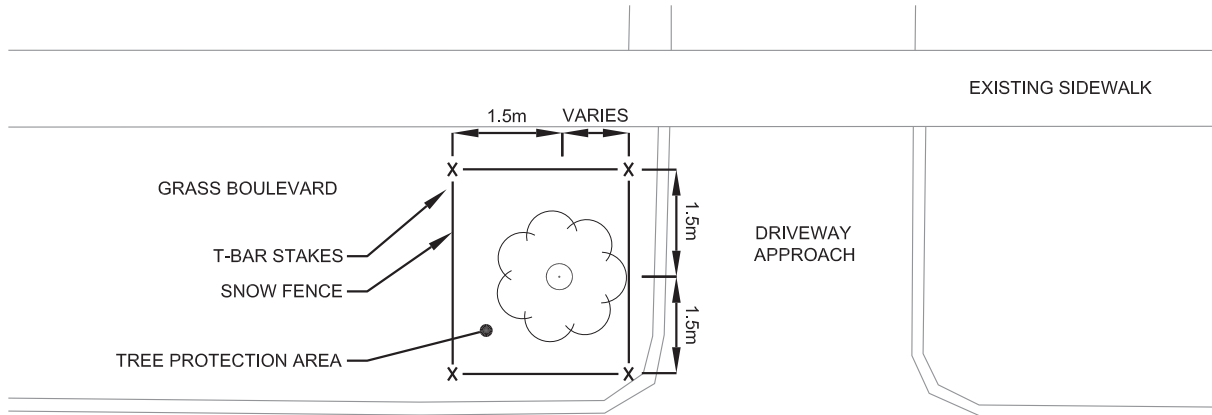
MAR. 2018

N.T.S.

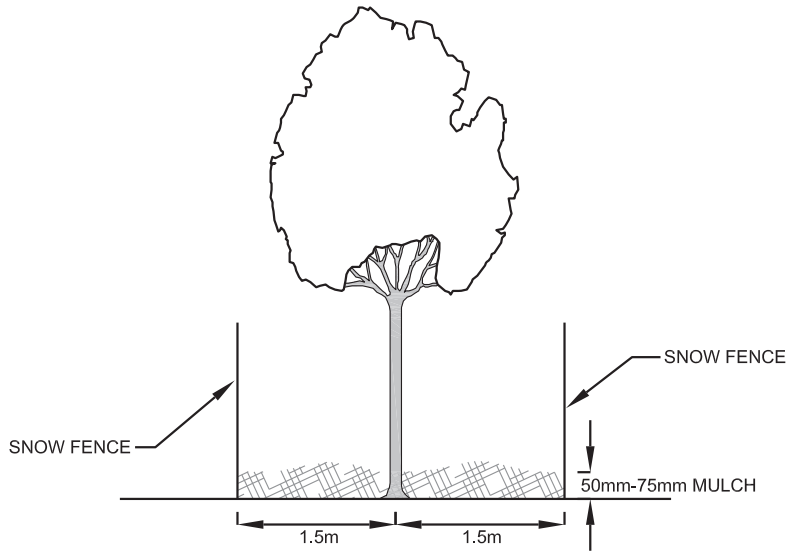
DETAIL

DRAWN BY:

PLAN VIEW



SIDE VIEW



NOTES:

1. SNOW FENCE TO EXTEND 1.5m AROUND THE TREE (DESIRABLE DISTANCE) OR MODIFY TO SUIT SITE CONDITIONS
2. SNOW FENCE WITH T-STAKES MUST BE MAINTAINED DURING CONSTRUCTION
3. TREE PROTECTION MUST NOT INTERFERE WITH PRIVATE WALKWAY AND DRIVEWAY ACCESS
4. PROVIDE ACCESS TO FIRE HYDRANT



**TREE PROTECTION DETAIL
TP-101**

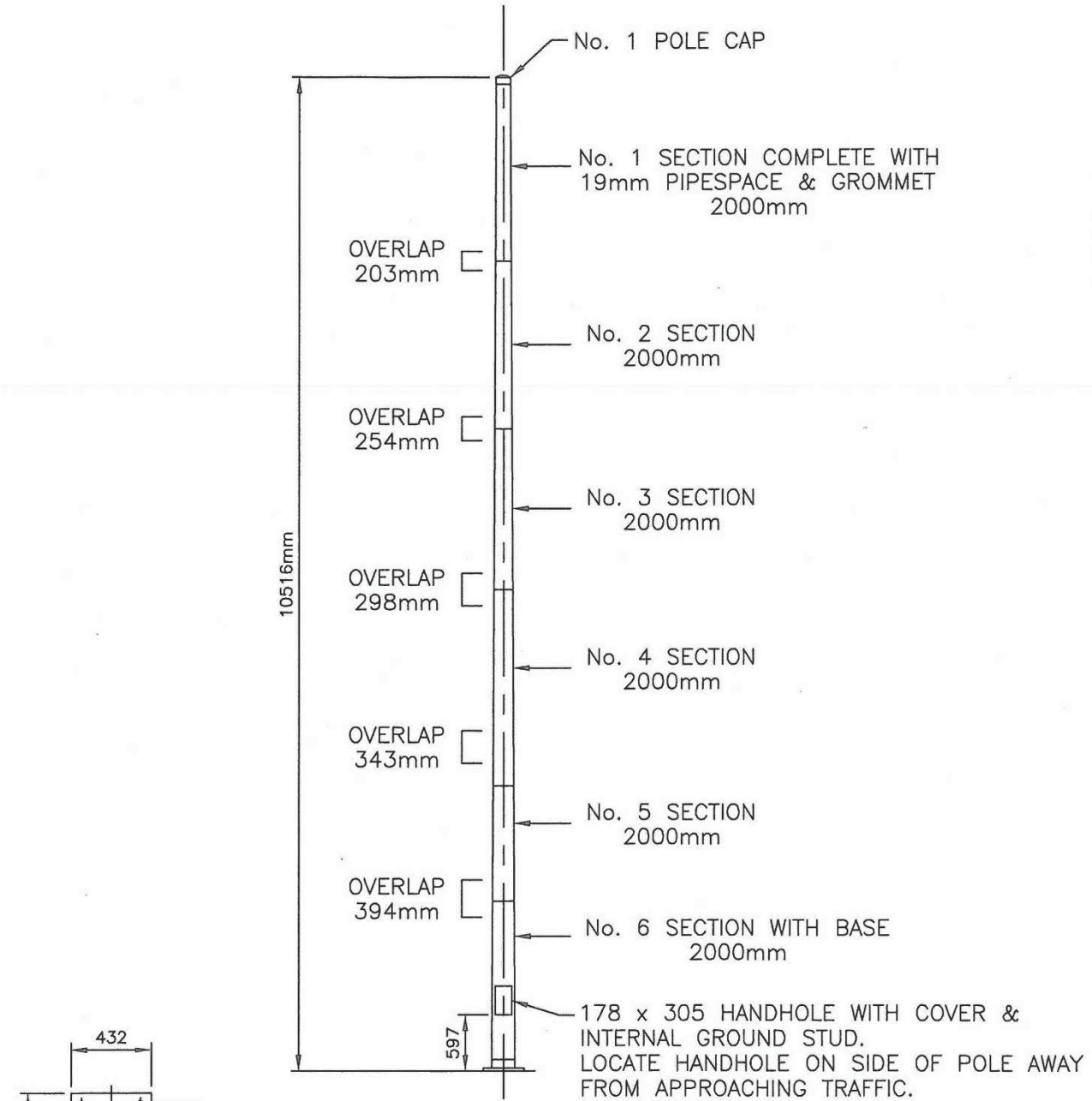
ENGINEERING SERVICES
DEPARTMENT

SEPT. 2015

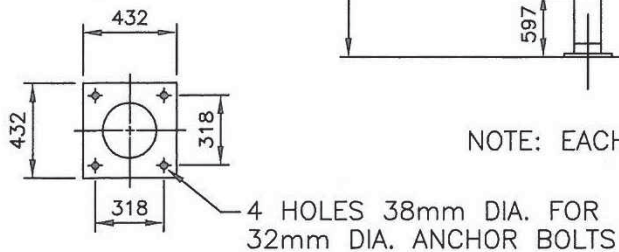
N.T.S.

DETAIL

DRAWN BY:
L.J.W.



NOTE: EACH OVERLAP TO BE PINNED AS PER OPSS 615.



BASE DETAIL



ROADS AND TRANSPORTATION:
Typical Traffic Signal Pole (10.5m)
Steel Sectional

SP-101

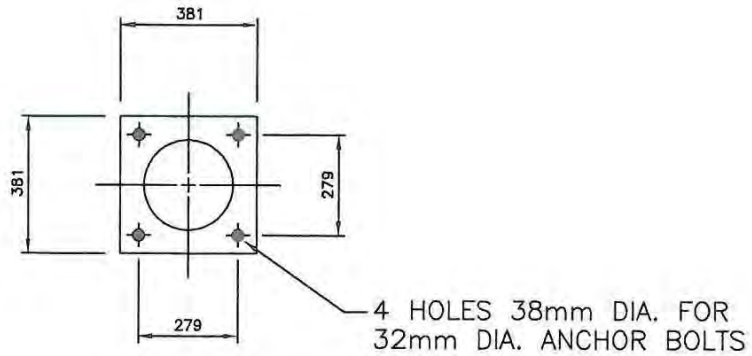
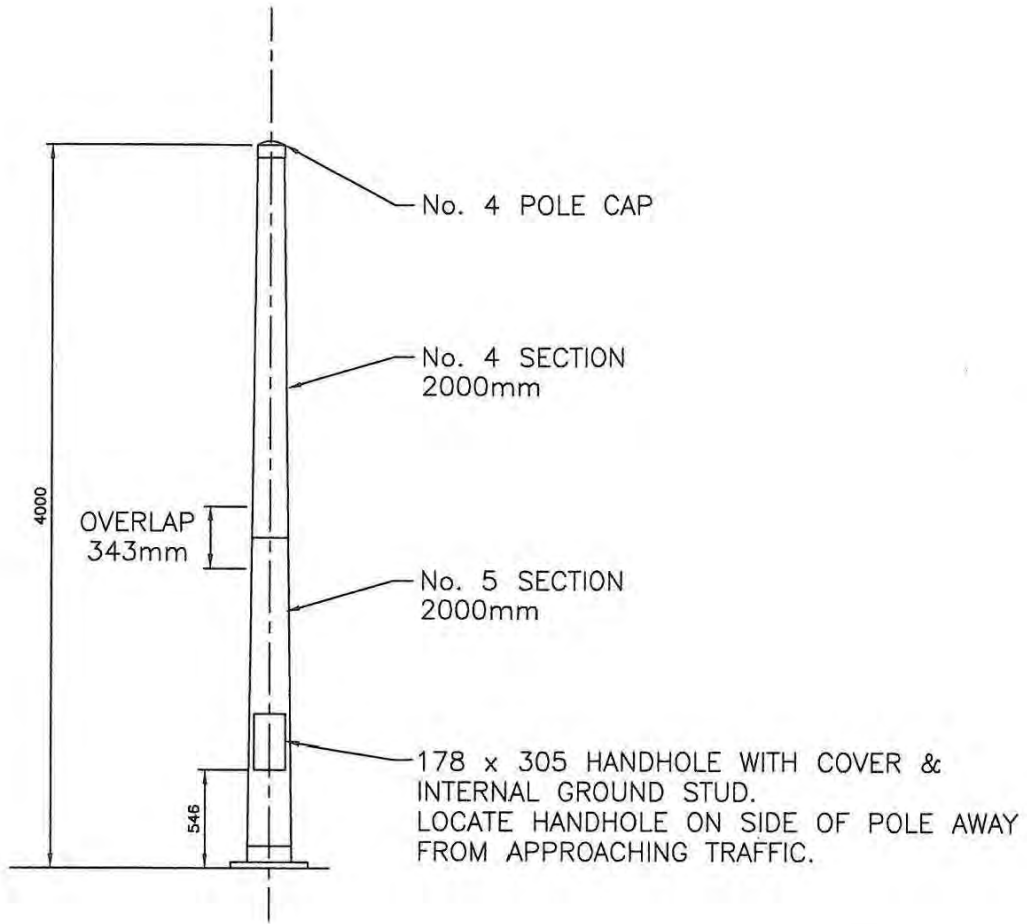
ENGINEERING SERVICES
 DEPARTMENT

FEB. 2018

N.T.S.

DETAIL

DRAWN BY:



BASE DETAIL



ROADS AND TRANSPORTATION:
Typical Traffic Signal Pole (4.0m)
Steel Sectional - Used for Mounting Pedestrian
Heads **SP-102**

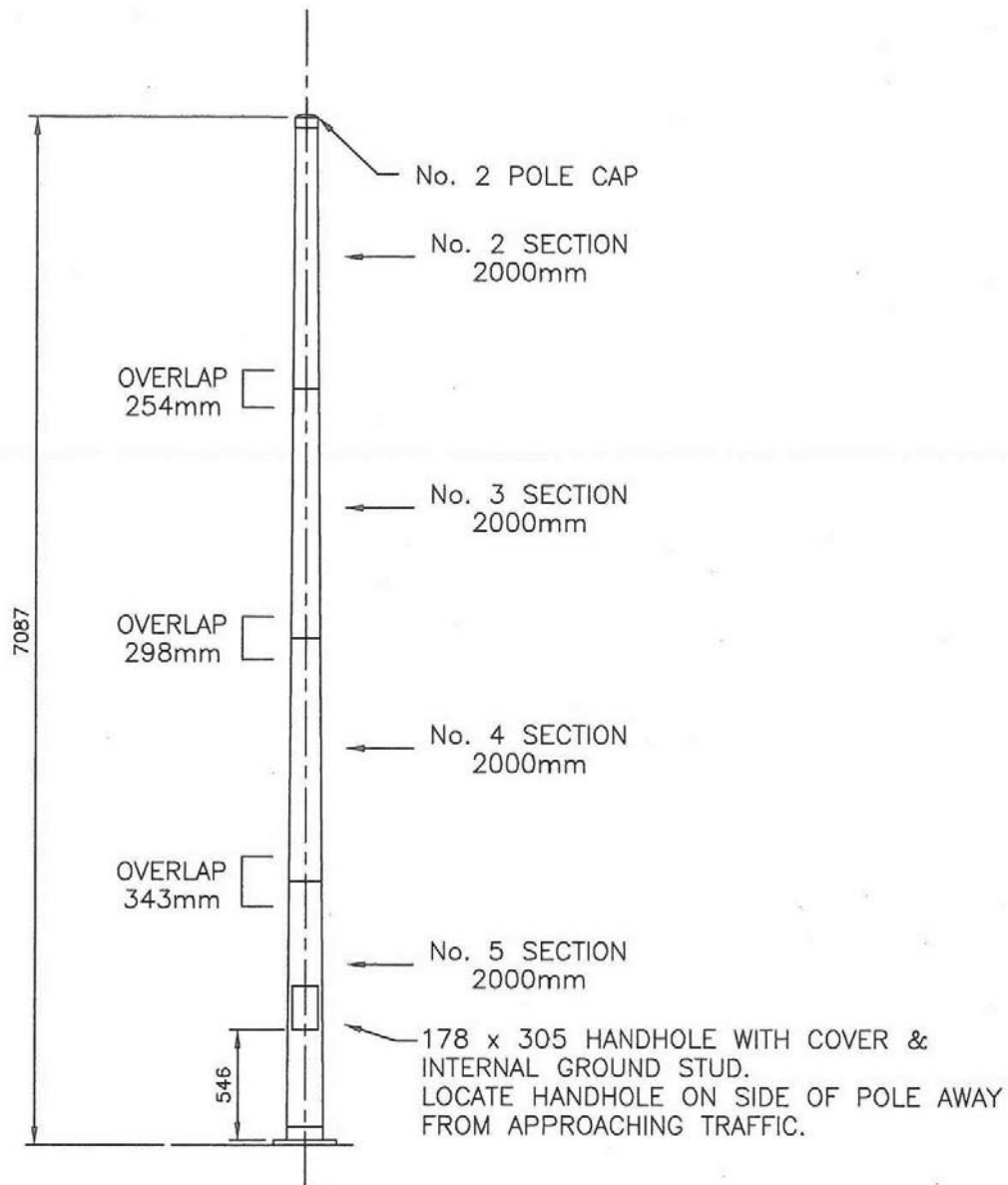
ENGINEERING SERVICES
DEPARTMENT

FEB. 2018

N.T.S.

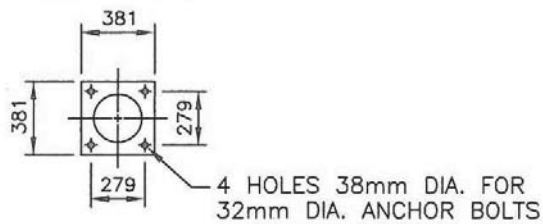
DETAIL

DRAWN BY:



NOTE: EACH OVERLAP TO BE PINNED AS PER OPSS 615.

BASE DETAIL



ROADS AND TRANSPORTATION:
Typical Traffic Signal Pole (7.1m)
Steel Sectional

SP-103

ENGINEERING SERVICES
DEPARTMENT

MAR. 2018

N.T.S.

DETAIL

DRAWN BY:

